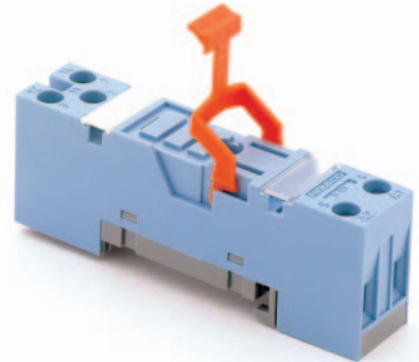
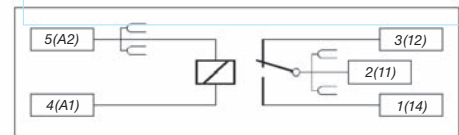


IRC series
S10
Socket for Interface relay

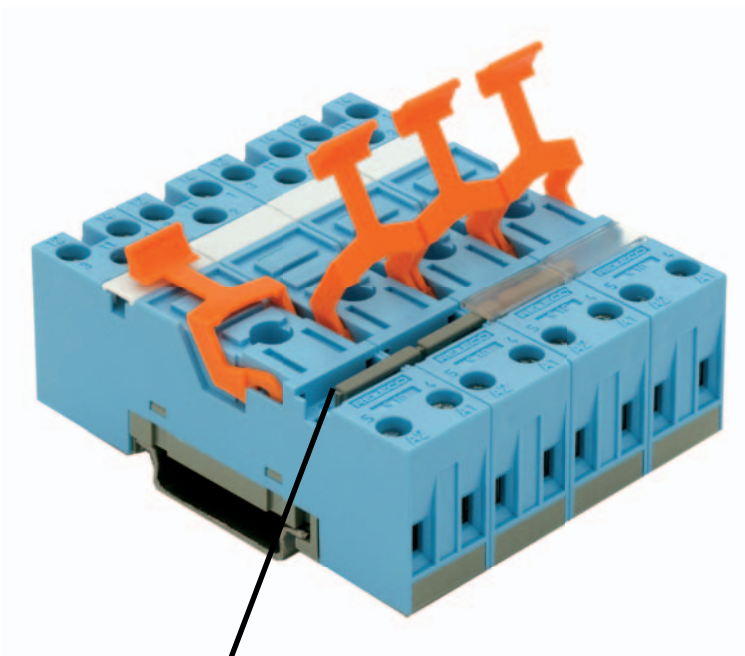
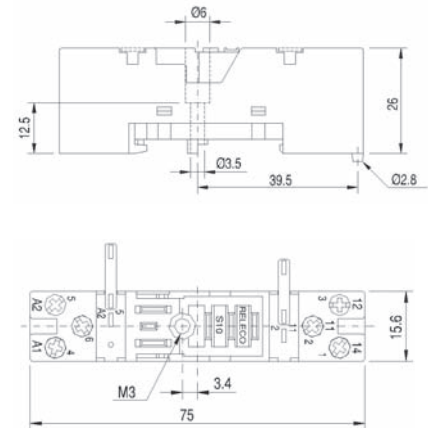
Type	S10 1-pole, 1 connection level Logic wiring Integrated retaining clip and labelling space Coil bridge bar for A2, 11
Rated current	10 A
Specifications	
Rated load	10 A/250 V
Insulation	Test voltage V rms 1 min 5 kV
- All terminals/DIN rail	
Cross-section of connecting wire	
- Single-wire	4 mm ² or 2 x 2,5 mm ²
- Multi-wire	22 - 14 AWG
Max. screw torque	1,2 Nm
Screw dimensions	M3, Pozi, slot
Integrated retaining clip/plastic	for relay series C10, CSS
Labelling space	detachable
Connection label	1...5; DIN/EN
Mounting	DIN rail TS35 or mounting plate
Ambient temperature operation/storage	-40 (no ice)...60 °C / -40 ... 80 °C
Socket for plug-in 10A IRC relays	C10-A, C10-T, CSS
Accessories	
Coil bridge bars	S10-BB



Connection diagram



Dimensions [mm]



BRIDGE BAR

Technical approvals, conformities



EN 60947-1, EN 61810-5



Kühn Controls AG

Notes:

You want more information about this product, please call us: tel: +49 (0)7082-940000 or send us a fax: +49 (0)7082-940001, or email: sales@kuehn-controls.de or visit our Website: www.kuehn-controls.de

X-ON Electronics

Largest Supplier of Electrical and Electronic Components

Click to view similar products for [Releco](#) manufacturer:

Other Similar products are found below :

[C2-A20X24D](#) [C3-R2024D](#) [C3-A30X230A](#) [C3-A30X24A](#) [C9-A41X230A](#) [C10A10BX24AD](#) [S2B + S2BC](#) [C2-A20X230A](#) [S-10](#) [S-12](#) [C4-A40X115A](#) [C9-A41X24D](#) [C4-A40X230A](#) [C3-A30X24D](#) [S3S + S3BC](#) [C7-A20X24D](#) [C9-A41X115A](#) [S4-B+S3-C](#) [C10A10X24D](#) [S9-M](#)