



PUSHBUTTON, 30MM, ROUND, METAL, MATT, BLUE, FRONT RING FOR FLAT INSTALL., MOMENTARY CONTACT TYPE

Figure similar

product brand name	SIRIUS ACT
Product designation	Commanding and signaling devices
Design of the product	Pushbutton

**Actuator:**

Design of the operating mechanism	pushbutton with flat button
Manner of function of the actuating element	Momentary contact type
Product expansion optional Light source	No
Color	
• of the actuating element	Blue
Material of the actuating element	plastic
Shape of the actuating element	round
Outer diameter of the actuating element	38 mm
Type of unlocking device	without

**Front ring:**

Product component front ring	Yes
Design of the front ring	Flat
Material of the front ring	Metal, matt
Color of the front ring	sand gray

**General technical data:**

Shock resistance	
• acc. to IEC 60068-2-27	Sinusoidal half-wave 50 g / 11 ms
Vibration resistance	
• acc. to IEC 60068-2-6	10 ... 500 Hz: 5g
Operating frequency maximum	3 600 1/h

<b>Mechanical service life (switching cycles)</b>	
• typical	10 000 000
<b>Protection class IP</b>	IP66, IP67, IP69(IP69K)
<b>Equipment marking</b>	
• acc. to DIN EN 61346-2	S
• acc. to DIN EN 81346-2	S

#### Ambient conditions:

<b>Ambient temperature</b>	
• during operation	-25 ... +70 °C
• during storage	-40 ... +80 °C

#### Installation/ mounting/ dimensions:

<b>Height</b>	38 mm
<b>Width</b>	38 mm
<b>Shape of the installation opening</b>	round
<b>Mounting diameter</b>	30 mm

#### Certificates/ approvals:

#### Further information

##### Information- and Downloadcenter (Catalogs, Brochures,...)

<http://www.siemens.com/industrial-controls/catalogs>

##### Industry Mall (Online ordering system)

<http://www.siemens.com/industrymall>

##### Cax online generator

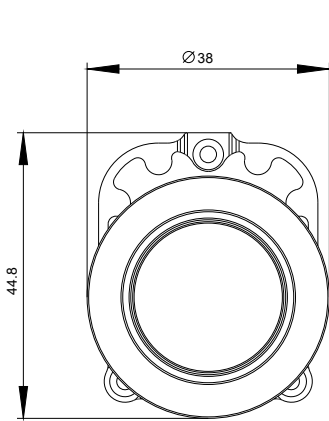
<http://support.automation.siemens.com/WW/CAXorder/default.aspx?lang=en&mfb=3SU10600JB500AA0>

##### Service&Support (Manuals, Certificates, Characteristics, FAQs,...)

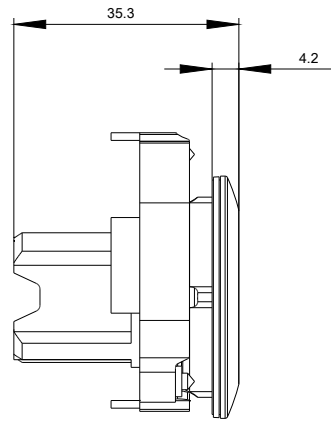
<https://support.industry.siemens.com/cs/ww/en/ps/3SU10600JB500AA0>

##### Image database (product images, 2D dimension drawings, 3D models, device circuit diagrams, EPLAN macros, ...)

[http://www.automation.siemens.com/bilddb/cax\\_de.aspx?mfb=3SU10600JB500AA0&lang=en](http://www.automation.siemens.com/bilddb/cax_de.aspx?mfb=3SU10600JB500AA0&lang=en)



last modified:



27.04.2015

## X-ON Electronics

Largest Supplier of Electrical and Electronic Components

*Click to view similar products for [Siemens](#) manufacturer:*

Other Similar products are found below :

[5SJ4101-7HG40](#) [5SJ4130-7HG40](#) [5SL6120-7](#) [5ST2144](#) [5ST2167](#) [5SX2125-7](#) [5SX2132-7](#) [5SX2320-7](#) [5SX2340-7](#) [5SX9200](#) [5SY4106-8](#)  
[5SY6220-7](#) [6EP1334-3BA10-8AB0](#) [6EP1935-6MD31](#) [6EP3333-8SB00-0AY0](#) [6ES5451-7LA11](#) [6ES7322-1BF01-0AA0](#) [6GK7142-7BX00-0AX0](#) [6GK7177-1FA10-0AA0](#) [D11CEU1](#) [PD63F160](#) [FXD63B175](#) [8WA1011-2SF25](#) [8WA1721](#) [8WA1815](#) [8WA8848-0AC](#) [8WA8-848-0AM](#) [8WA8-848-0AN](#) [8WA8-848-0AT](#) [8WA8-848-0AX](#) [8WA8-848-0BD](#) [8WA8-848-0BF](#) [8WA8-848-0BL](#) [8WA8-848-0BP](#) [8WA8-848-0BQ](#) [14DP32AC81](#) [ED21B100](#) [B32523-.47@400V-J](#) [B65541-T25-A48](#) [B65549-E4-X23](#) [B65812-B1512-T1](#) [B66317-G0000-X127](#) [B66337-G0500-X127](#) [B66417-G-X167](#) [B82724-J](#) [8WA1201](#) [8WA1854](#) [8WA1870](#) [8WA8-848-0AK](#) [8WA8-848-0AV](#)