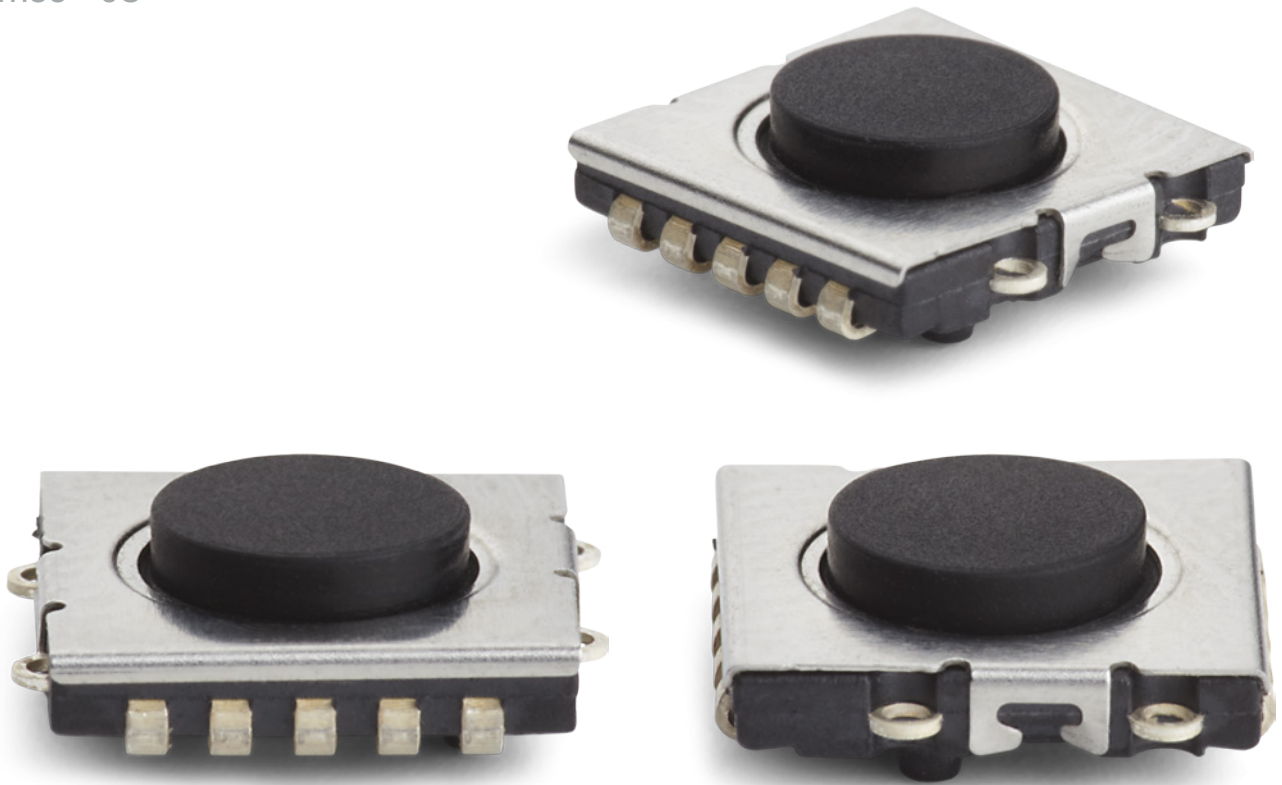




NEW  
SWITCH  
FAMILY

# ULTRAMEC™



PANEL MOUNTED SWITCHES

PCB MOUNTED SWITCHES

JOYSTICKS

SWITCH PANELS

LED INDICATORS

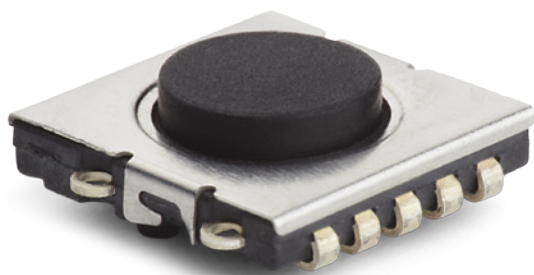
## NEW SWITCH

### HIGHLY RELIABLE TACTILE SWITCH

- IP67 sealing
- 3.000.000 cycles
- Dimensions 8x8mm
- Low profile h=2,5mm
- Crisp sound and feel
- Pins for accurate positioning
- Excellent for under overlay and custom caps
- Good when space is limited
- New cap 10G Ø11.5mm in 5 solid colours
- 6C+10G lowest solution in MEC range  
h=4,9mm
- Floating cap- easy alignment of PCB and front panel
- Soft actuator: no rattling from the cap when application gets shaken

# ultramec™

ultramec™ 6C + 10G

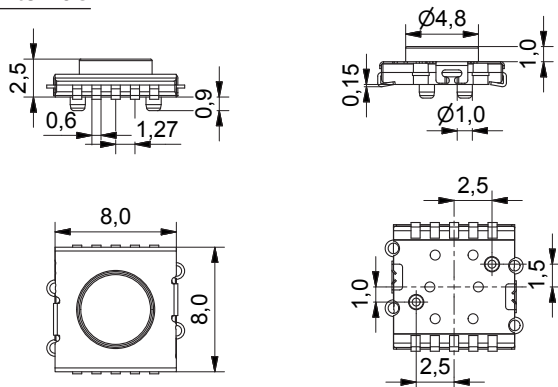


- Low profile h=2.5 mm
- Dimensions: 8 x 8 mm
- IP67 sealing
- Temp. Range: -40/+85°C
- Lifetime: 3,000,000 cycles
- Actuation force: 3.7N +/- 0.7N
- Cap series:
- Round
- Ø11.5 mm
- Concave
- Total height: 4.9 mm

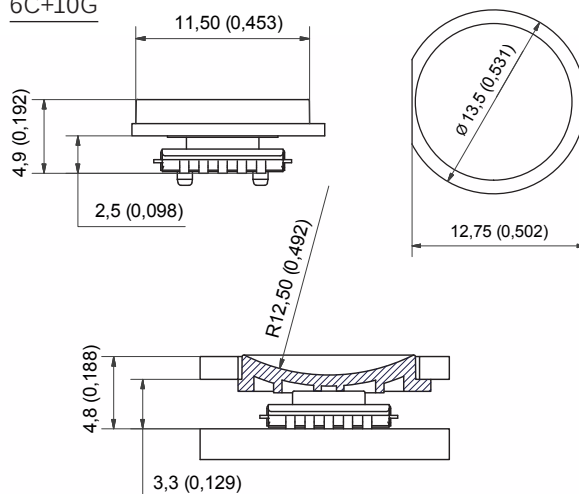
All dimensions in mm. Tolerances +/- 0.2 mm.

## DIMENSIONS

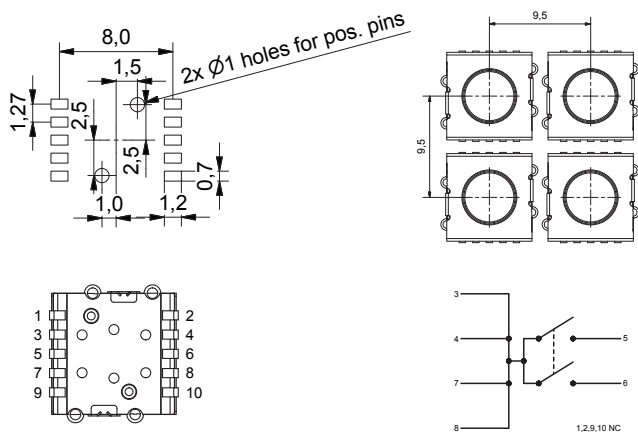
Switch 6C



6C+10G



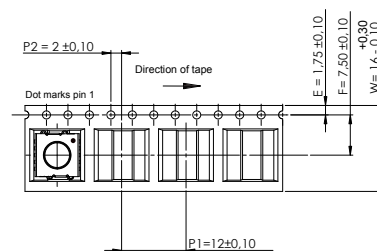
## PCB LAYOUT & CIRCUIT DIAGRAM



## PACKAGING

### Tape & Reel

- Tape width: 16
- Pitch: 12
- Reel: Ø330mm
- Quantity per reel: 1000 pcs
- MOQ: 1/2 reel 500 pcs



## HOW TO ORDER

Switch	Mounting	Poles	Function	Positioning pins	Packaging	Cap	Colour code
6 C	J	1	NO	P	R	10G	00 blue
	j-bend	single pole	normally open	positioning pins *optional	tape & reel		03 grey
							08 red
							09 black
							36 signal white

Ordering example: 6CJ1NOPR + 10G09 or 6CJ1NOR

Specifications subject to changes. Please see updates of products and changes of specifications on [www.mec.dk](http://www.mec.dk)

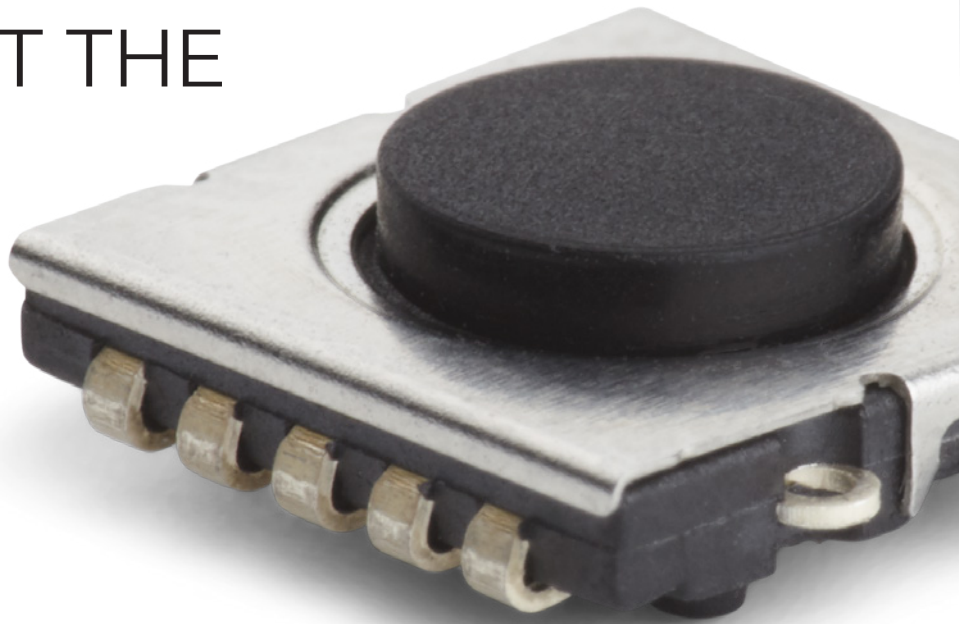


# ultramec™ 6C

ELECTRICAL SPECIFICATIONS		TEMPERATURE RANGE	
Contact resistance	<50mΩ	Operating temperature	-40/+85°C
Insulation resistance	>10MΩ	Storage temperature	-40/+85°C
Recommended resistive load	0,5-50mA 24VDC	SOLDERING (SMD)	JEDEC J-STD-020C
Contact bounce	<2ms	Sealing IEC 529	IP67
Dielectric strength	250V		

MECHANICAL SPECIFICATIONS		MATERIAL SPECIFICATIONS - SWITCHES	
Standard actuation force:		Housing	PPS
Before soldering:	4.2N +/- 1.0N	Actuator	Silicon
After soldering:	3.7N +/- 0.7N	Contact dome	Stainless steel
Max. actuation force	100N for 10 sec	Fixed contacts	CuZn +1μNi + 4μAg
Key travel	0.3mm +/- 0.15mm	Terminals	CuZn +1μNi
Lifetime	3.000.000 cycles		

# THIS IS JUST THE BEGINNING



PANEL MOUNTED SWITCHES

**PCB MOUNTED SWITCHES**

JOYSTICKS

SWITCH PANELS

LED INDICATORS

## NEW SWITCH FAMILY

### ULTRAMEC™ MEANS MODULARITY

Ultramec™ is a whole new switch family designed and produced by MEC Switches in Denmark. The low profile 6C is just the first one out of the pipeline.

#### ONE FOOTPRINT, MANY FUNCTIONS

The keyword for the new switch family is modularity. Different versions of ultramec use the same number of terminals and the same bottom part of the housing, it is the top parts that define the height, function and options available.

#### FUTURE OPTIONS

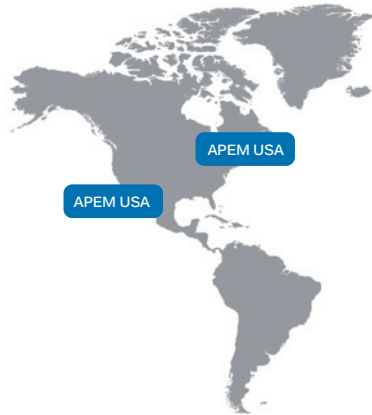
The ten terminals are designed to adapt to evolving requirements, such as illumination including RGB option as well as NC/NO and double pole function.

The future versions of Ultramec™ will be 5G series snap-action caps.

Only J-bend terminals are offered as a standard option.

## WORLDWIDE SALES & CUSTOMER SUPPORT

### AMERICAS



#### USA

63 Neck Road  
HAVERHILL, MA 01835  
Tel: (+1) 978 372 1602  
Fax: (+1) 978 372 3534  
info@apem.com

#### USA

970 Park Center Drive  
VISTA, CA 92081  
Tel: (+1) 760 598 2518  
Fax: (+1) 760 598 2524  
info@apem.com

### EMEA



#### BENELUX

Avenue Excelsiorlaan 21  
1930 ZAVENTEM  
Belgium  
Tel B: (+32) 27 25 05 00  
Tel NL: (+31) (70) 799 91 51  
Fax: (+32) 27 25 22 00  
sales@apemswitches.be

#### FRANCE

55, avenue Edouard Herriot  
BP1  
82303 CAUSSADE Cedex  
Tel: (+33) 5 63 93 14 98  
Fax: (+33) 5 63 93 19 03  
commercial@apem.fr

#### GERMANY

Gewerbehof Giesing  
Paulsdorferstr. 34, 2. OG  
D-81549 MUNICH  
Tel: (+49) 89 45 99 11 0  
Fax: (+49) 89 48 10 39  
info@apem.de

#### ITALY

Via Marconi 147G  
12030 MARENE (CN)  
Tel: (+39) 0172 74 31 70  
Fax: (+39) 0172 74 31 71  
apem.italia@apem.it

#### SWEDEN

Isafjordsgatan 35  
S-16440 KISTA  
Tel: (+46) 8 626 38 00  
Fax: (+46) 8 626 82 49  
info@apem.se

#### UNITED KINGDOM

Drakes Drive  
LONG CRENDON, Bucks HP18 9BA  
England  
Tel: (+44) 1 844 202400  
Fax: (+44) 1 844 202500  
sales@apem.co.uk

#### DENMARK

MEC  
Industriparken 23  
2750 BALLERUP  
Tel: (+45) 44 97 33 66  
Fax: (+45) 44 68 15 14  
danmec@mec.dk

### ASIAPAC



#### CHINA

RongGuang Building, 602A  
11, Changshun Road  
200051 SHANGHAI  
Tel: (+86) 21 6278 8546,  
(+86) 21 6278 6872  
Fax: (+86) 21 6208 8209  
contact@apem.com.cn

MORE THAN 130 DISTRIBUTORS WORLDWIDE  
(Complete list available on [www.apem.com](http://www.apem.com))

## X-ON Electronics

Largest Supplier of Electrical and Electronic Components

*Click to view similar products for [mec manufacturer](#):*

Other Similar products are found below :

[95NA3509](#) [DB0K12D1AD](#) [NI-2010](#) [NI-4459](#) [DM0K120A300A](#) [DMOL24D3B](#) [NI-4461](#) [R12-12012X2E1](#) [RC0K115A360/360](#) [1630004](#)  
[DB0K24D360](#) [DBIR115A10](#) [DBOK24D3600-24D-BHT](#) [DMOK24A15B](#) [DMS0K24D60A](#) [DS0R115A10AB](#) [DSIK115A120](#) [NI-4447](#)  
[SDMR115A480K](#) [DBIK230A180RN](#) [DM0K24D30BN](#) [DM0L115A60B](#) [RC0R12D5/180](#) [95CD356109LMH13611806](#) [CHD-38-02502](#)  
[DB0K115A90B](#) [DIOK115A180B](#) [DM0K115A15A](#) [DM0R115A5B](#) [DMF115A2M](#) [DMIR24A10B](#) [DS0K115A5NBT](#) [JM-1114-11](#) [R12-](#)  
[224X2E1](#) [DB0K24A180BR](#) [DM0K32A60ABT](#) [DMIK115A20B](#) [DMOK115A1](#) [DMOK24D180](#) [DSOK230A5ABT](#) [DMOF115A180AB](#)  
[DMOK115A3](#) [DMOK115A30](#) [DMOK115A300](#) [DB0L12D300](#) [DBIK230A120](#) [DIOK12A10B](#) [DM0R24A5B](#) [DMIK12D5B](#) [DMIK240A900](#)