

High Capacity Switch



Panel Board Switch



Keylock



Locking Rocker



3.1 High Capacity Switches

Product Description	V11-T3-2
Standards and Certifications	V11-T3-2
Product Selection	V11-T3-2
Technical Data and Specifications	V11-T3-2
Dimensions	V11-T3-2

3.2 Panelboard Switches

Product Description	V11-T3-3
Standards and Certifications	V11-T3-3
Product Selection	V11-T3-4
Technical Data and Specifications	V11-T3-4

3.3 Keylock Switches, General Purpose/Heavy Duty—AC/DC Rated

Product Description	V11-T3-5
Features	V11-T3-5
Product Selection	V11-T3-6
Accessories	V11-T3-7
Technical Data and Specifications	V11-T3-7
Dimensions	V11-T3-8

3.4 Locking Rocker

Product Description	V11-T3-9
Standards and Certifications	V11-T3-9
Product Selection	V11-T3-9
Technical Data and Specifications	V11-T3-10
Circuit Diagrams	V11-T3-10
Dimensions	V11-T3-10

3.1

Special Devices

High Capacity Switches

High Capacity Switch

3



Contents

Description

High Capacity Switches

Product Description

The heavy duty high capacity switch, Catalog Number 7818K1 is ideal for exceptionally high-power applications, for heavy-duty motor loads and for use in welding equipment or similar industrial applications.

By combining innovative design and quality materials, this switch is designed to carry the specified maximum inrush current for 10 milliseconds for a minimum of 20,000 ON/OFF cycles.

Standards and Certifications

- UL® to Standard 508, File E147754



Product Selection



High Capacity Switch

Description	Catalog Number
40A, 600 Vac 5 hp, 250 Vac	7818K1

Technical Data and Specifications

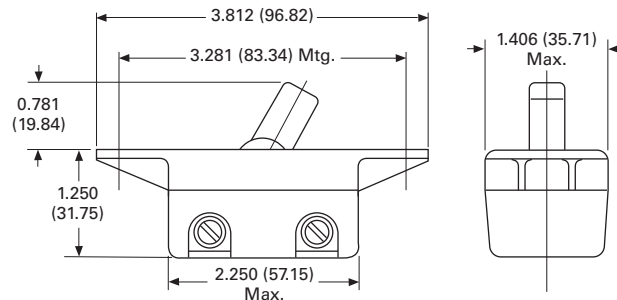
High Capacity Switches

Description	Specification
Circuits	2PST, maintained
Contact mechanism	Quick-make/quick-break snap acting butt contact Make: 200A peak inrush at 125 Vac for 10 ms for 20,000 cycles minimum Break: 20A at 125 Vac for 20,000 cycles minimum
Contact material	10% silver cadmium oxide composite
Terminal types	Screw—brass (Catalog Number 11-6074-4) supplied. Furnish unassembled
Mounting means	Molded flush mounting bracket, high impact polycarbonate, 3.312 in (84.12 mm), center-to-center spacing and 2.375 in (60.33 mm) spacing for self-tapping screws
Lever	Nylon
Base	Molded thermoset material
Dielectric withstand	2200V rms minimum

Dimensions

Approximate Dimensions in Inches (mm)

7818K1



Panel Board Switches



Contents

Description

Panelboard Switches

Product Selection

Technical Data and Specifications

Page

V11-T3-4

V11-T3-4

3

Product Description

This group of two-position power toggle switches is used by manufacturers in a wide variety of applications that require dependability and long service, such as welding equipment, commercial floor polishers, battery chargers, food processors and panelboards.

Standards and Certifications

- UL Recognized
- CSA® Certified as noted



Product Selection

8980K1

Panelboard Switches

3



Rating	Poles and Throw	Mounting	Terminals	Catalog Number
60A, 250 Vac/Vdc 2 hp, 125–250 Vac/Vdc ^①	2PST	N/A	N/A	8980K1 ^②
30A, 250 Vac/Vdc 30A, 125V “T” 2 hp, 120–240 Vac	1P double break	Frame plate	Center bus	8980K2
30A, 250 Vac/Vdc 20A, 600 Vac 2 hp, 120–600 Vac	2PST	Panel type strap	Screw	8980K5
30A, 250 Vac/Vdc 20A, 600 Vac 2 hp, 120–600 Vac Three-phase	3PST	Panel type	Screw	8980K6
30A, 250 Vac/Vdc 2 hp, 120–240 Vac 1 hp, 480 Vac	2PST	Panel type strap	Screw	8980K14 ^③
30A, 250 Vac/Vdc 2 hp, 120–240 Vac	2PST	Panel type strap	Screw	8980K16

8980K5



Technical Data and Specifications

Panelboard Switches

Description	Specification
Rating	10–60A; 120–600V See Product Selection table
Circuits	1PST, 2PST, 3PST 2 circuit, maintained Except for Catalog Number 8980K13, momentary
Contact mechanism	Quick-make/quick-break wiping action Except for Catalog Number 8980K13, quick-make/quick-break butt contact
Contact material	Movable—bronze; stationary—copper; Catalog Number 8980K13—silver
Terminal types	Screw or bus
Termination material	Copper
Mounting means	Two-hole mounting—panel type flush
Dielectric withstand	1000 volts rms minimum
Operating temperature range	0° to 150°F (–17.8° to 65.6°C)

Notes

^① For appliance use only; 32A, 480 Vac, 25A, 600 Vac.

^② CSA Certified.

^③ Binding screws assembled. For binding screws provided unassembled, order Catalog Number 8980K30.

General Purpose and Heavy Duty Keylocks



Contents

Description

Keylock Switches, General Purpose/Heavy Duty—AC/DC Rated

	Page
Product Selection	V11-T3-6
Accessories	V11-T3-7
Technical Data and Specifications	V11-T3-7
Dimensions	V11-T3-8

Product Description**General Purpose**

These keylock switches provide reliable performance in a space-saving design. They all use quick-make/quick-break switching mechanisms, with wiping action blades for self-cleaning contacts.

Heavy Duty

These switches have a slow-make/slow-break switching mechanism with large butt type contacts. Their high current switching capability allows them to be used for locking switching circuits in power applications.

Features**Termination Types****General Purpose**

Solder lugs—Brass silver-plated

Heavy Duty

- 7842 Series
- Screw terminals—Brass designed to accept #7-32 x 3/16 binding head screws

Furnished unassembled

- 7846 Series
- Quick connect terminals—Brass

Mounting Means**General Purpose**

Threaded bushing—0.468 in (11.89 mm) dia.

Keyway—0.062–0.067 in wide x 0.035–0.370 deep (1.55–1.70 mm wide x 0.89–0.94 mm deep)

Hardware supplied—1 hexnut (Cat. No. **15-192**) and 1 chamfered dress nut (Cat. No. **15-994-2**)

Furnished unassembled

Heavy Duty

- 7842 Series
- Slotted bushing—0.468 in (11.89 mm) dia.

Hardware supplied—4 terminal screws and 1 hexnut

Furnished unassembled

- 7846 Series
- Hardware supplied—2 hexnuts

3.3

Special Devices

Keylock Switches, General Purpose/Heavy Duty—AC/DC Rated

Product Selection

3



General Purpose Keylock AC/DC Switches

Circuit with Key in ... (Keyway Down)

Rating	Poles and Throw	LEFT Position	CENTER Position (Keyway)	RIGHT Position	Key Removal Position	Solder Lug Terminal Catalog Number
6A, 125 Vac/Vdc 3A, 250 Vac/Vdc	1PST	—	OFF	ON	CENTER	8928K492
		—	OFF	ON	CENTER and RIGHT	8928K493
6A, 125 Vac/Vdc 1A, 250 Vac/Vdc	1PDT	—	ON	ON	CENTER and RIGHT	8928K494
6A, 125 Vac/Vdc 1-1/2A, 250 Vdc	1PDT	—	ON	ON	CENTER	8283K150
6A, 125 Vac/Vdc 3A, 250 Vdc	2PST	—	OFF	ON	CENTER	8370K150
		—	ON	OFF	CENTER	8370K151
6A, 125 Vac/Vdc 3A, 250 Vac/Vdc	2PST	—	OFF	ON	CENTER and RIGHT	8928K495
6A, 125 Vac/Vdc 3A, 250 Vdc	2PDT	—	ON	ON	CENTER	8373K150
		—	ON	ON	CENTER and RIGHT	8373K151



Heavy Duty Keylock AC Rated Switches

Rating	Circuit	Action	Key Removal Position	Slotted Bushing Length		Type of Termination	Key Style	Catalog Number
				Inches	mm			
7846 Type Series								
20A, 120 Vac 20A, 240 Vac 1-1/2 hp, 120 Vac 2 hp, 240 Vac	2PST	OFF-ON-OFF-ON	OFF	0.50	12.7	Quick Connect	E (13-8173)	7846K1 ^①

Note

① Not CSA Certified.

Accessories

Keys for Locking Switches

Additional keys may be ordered from the Key Selection table.

Key styles shown match those listed for specific switches in the Product Selection tables.



Key Selection

Where Used	Catalog Number
General purpose and heavy duty series	13-5496
Security locking bracket	13-8171
7846K1	13-8173

Rotary Keylock Brackets—Security Tumbler Type

This series of rotary keylock is designed for use in security applications. They provide a simple method of converting single- and two-pole toggle switches. For use with two- or three-position switches.

Key Selection

Where Used	Catalog Number
Key removable in counter-clockwise position	8980P25
Key removable in clockwise position	8980P27
Key removable in either extreme position	8980P28

Technical Data and Specifications

Keylock Switches, General Purpose/Heavy Duty—AC/DC Rated

Description	General Purpose	Heavy Duty
Circuits	1PST, 1PDT, 2PST, 2PDT Maintained action	2PST, 2-circuit maintained
Contact mechanism	Quick-make/quick-break wiping action	Slow-make/slow-break butt contact
Contact material	Movable—Bronze silver-plated Stationary—Brass silver-plated	Movable—Silver cadmium oxide Stationary—Silver cadmium oxide

Rotary Keylock Brackets

Description	Specification
Bushing	7/8 in dia., 24 threads/inch
Mounting hardware and keys	
1 hexagon locknut	Cat. No. 15-2528-2
1 bright chrome plated dress nut	Cat. No. 15-2528-2 (furnished unassembled)
2 keys	Cat. No. 13-8171
Finish	
Lock bushing	Diecast zinc
Lock barrel and dress nut	Chrome plated brass
Keys	Brass

3.3

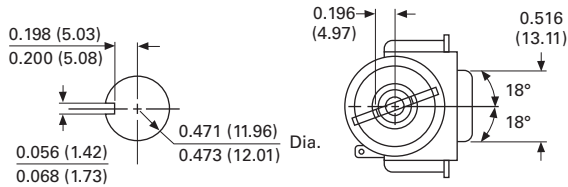
Special Devices

Keylock Switches, General Purpose/Heavy Duty—AC/DC Rated

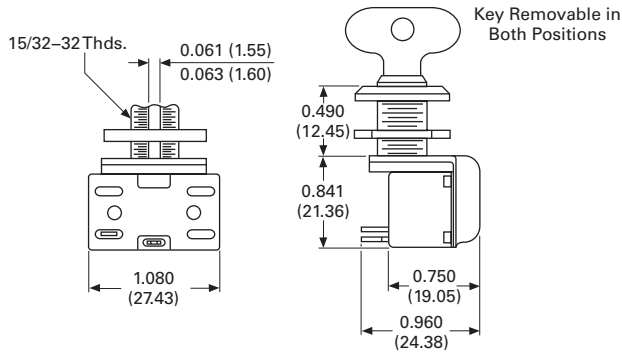
Dimensions

Approximate Dimensions in Inches (mm)

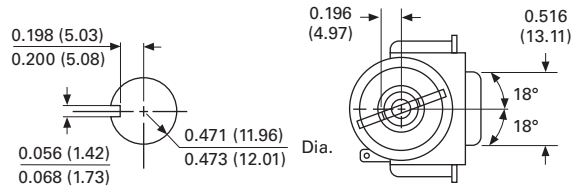
8928K493—1PST/1PDT



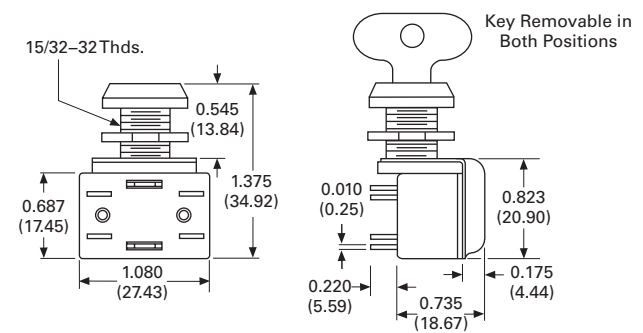
Mtg. Hole



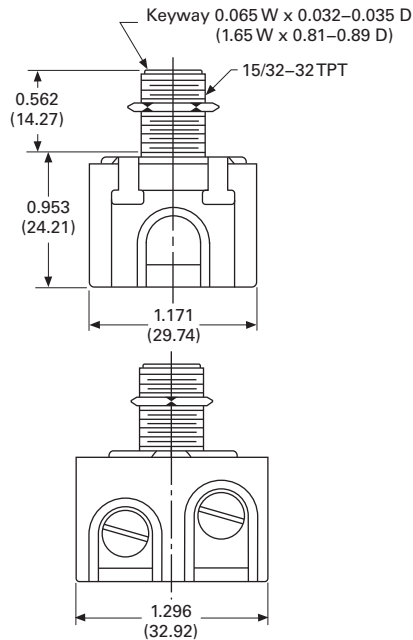
8373K151—2PST/2PDT



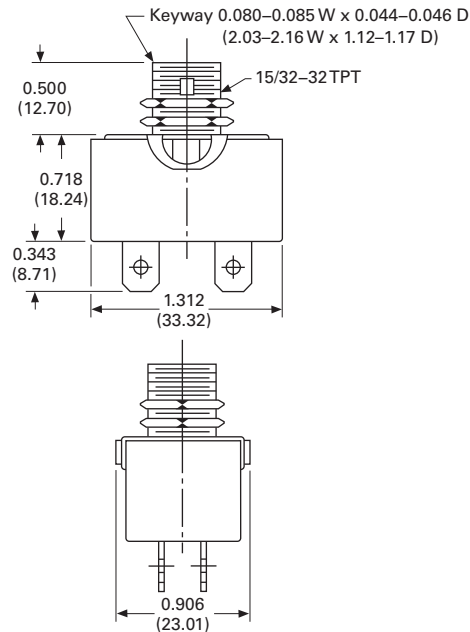
Mtg. Hole



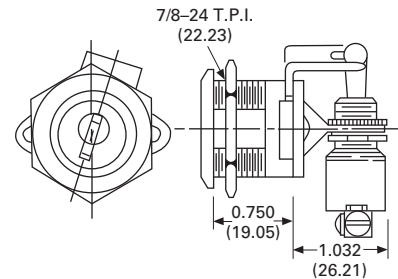
7842K2—2PST



7846K1—2PST



8980P27



Locking Rockers



Contents

<i>Description</i>	<i>Page</i>
Locking Rockers	
Accessories	V11-T3-10
Technical Data and Specifications	V11-T3-10
Circuit Diagrams	V11-T3-10
Dimensions	V11-T3-10

Product Description

This unique switch features a patented internal locking mechanism, which allows the switch to be locked in the OFF position to prevent unauthorized or accidental operation. The key to locking

or unlocking the switch is a removable paddle rocker cap, which must be inserted in order to move the switch to the ON position. The switch can still be turned OFF.

The locking rocker is ideally suited for such markets as portable tools, computers, lawn and garden equipment, marine and construction.

Standards and Certifications

- UL Recognized
- CSA Certified
- RoHS Compliant ^①



Note: Contact your local Eaton Sales Representative for selection information and optional features.

Product Selection

Locking Rocker Switch

Rating ^②	Poles and Throw	Circuit with Rocker in ...			Base Circuit (See Page V11-T3-10)	Catalog Number
		UP Position	CENTER Position	DOWN Position		
Without Palm Guard Feature						
20A, 125 Vac	1PST	ON	NONE	OFF	A	8166K27
20A, 250 Vac	1PDT	ON	NONE	ON	B	8166K28
1 hp, 125 Vac	2PST	ON	NONE	OFF	C	8166K25
2 hp, 250 Vac				ON		
With Palm Guard Feature						
20A, 125 Vac	1PST	ON	NONE	OFF	A	8166K23
20A, 250 Vac	1PDT	ON	NONE	ON	B	8166K24
1 hp, 125 Vac	2PST	ON	NONE	OFF	C	8166K21
2 hp, 250 Vac				ON		

Notes

- ① Visit www.eaton.com/vcbu for the most up-to-date list of verified part numbers.
- ② Ratings listed for 125 Vac also apply at 28 Vdc. Also supplied with a 20A, 277 Vac rating as standard.

3.4

Special Devices

Locking Rockers

Accessories

53-3021-2

Replacement Cap



Description	Catalog Number
Red paddle rocker replacement cap	53-3021-2

3

Technical Data and Specifications

Locking Rocker Switch

Description	Specification
Contact mechanism	Butt action contact mechanism designed specifically for use on AC and low voltage DC applications
Contact material	Movable—Silver-plated copper w/cad-oxide contact face button Stationary—Copper w/cad-oxide contact face button
Terminal types	0.25 in spade terminals are standard
Rocker material	Custom styled, red thermoplastic rocker key with "REMOVE TO LOCK" across the top of the key in raised letters
Dielectric	1000V rms minimum

Circuit Diagrams

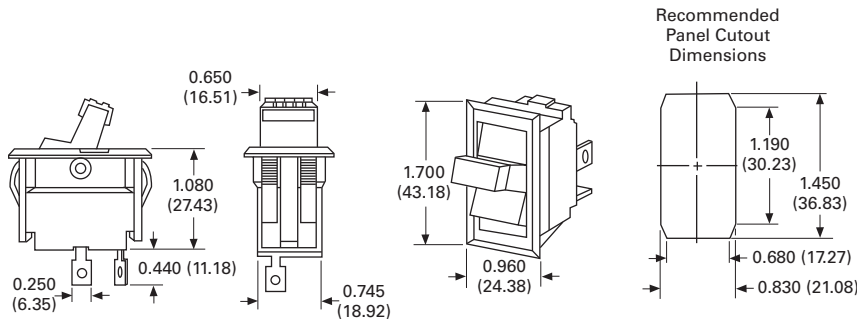
Locking Rocker Circuit Diagrams

Circuit Letter	Schematic	Circuit Letter	Schematic
A 1PST		C 2PST	
B 1PDT		D 2PDT	

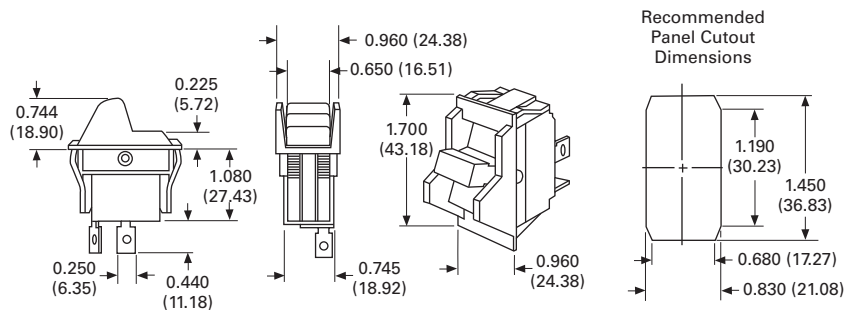
Dimensions

Approximate Dimensions in Inches (mm)

Locking Rocker Switch without Palm Guard



Locking Rocker Switch with Palm Guard



X-ON Electronics

Largest Supplier of Electrical and Electronic Components

Click to view similar products for [Eaton](#) manufacturer:

Other Similar products are found below :

[BK1-S506-2-R](#) [FHN31G1](#) [CH222B](#) [SAMI-2I](#) [SAMI-6I](#) [LPN-RK-25SP](#) [ZE6](#) [ZE9](#) [LPN-RK-15SP](#) [LPN-RK-3SP](#) [SAMI-1I](#) [2499](#) [GMC-500MA](#) [AT-20](#) [BK/SC-45](#) [AGC-1-2](#) [BK/MDA-15](#) [BK/MDA-1](#) [BK/C519-1A](#) [BK/MDL-3-2/10](#) [89096-015](#) [8943K28](#) [8946K153](#) [8961K155](#) [M22-DH-Y](#) [M22-DLH-Y](#) [M22-D-R-GB0/K11](#) [M22-LCH-R](#) [M22-L-R/R](#) [M22-WLK3-B](#) [63ET](#) [6422](#) [6580](#) [CTX20-16-52LP-R](#) [CWL530FI](#) [CXM/CO/GP/R/BB](#) [6HD36](#) [714125](#) [MBO-2](#) [7314K36](#) [7321K2](#) [ETF-200MA](#) [F02A-1-1/2A](#) [F02A-1-1/2AS](#) [F02A-1AS](#) [F02A-3/4A](#) [F03A250V10A](#) [F03A250V12A](#) [MDA-2-8/10-R](#) [MDA-30A](#)