

## SF526V/35VF/35F/38in Microwave Cable Assembly

### Description

SUCOFLEX 526V microwave cable assemblies set a new measurement standard for vector network analyzers (VNAs) through 26.5 GHz.

- Extremely flexible and ease of handling
- Best-in-class phase and amplitude stability with flexure, movement, temperature and tensile stress
- Robust and precise center positioning of 3.5mm center conductors
- Accurate and repeatable measurements
- Increased test efficiency and measurement saving costs due to reduced calibration intervals



### Product Configuration

Description	SF526V/35VF/35F/38in
Item no	85081172
Cable type	SUCOFLEX 526V
Length of assembly	38" (965 mm)
Connector A	35VF (3.5 mm ruggedized PORT female)
Connector B	35F (3.5 mm DUT female)

### Technical Data

#### Mechanical Data

Nominal outer diameter	13.0 mm
Min. bending radius	50 mm
Crush resistance	80 kN/m
Nominal weight	345 g
Flex life	100'000 cycles

#### Environmental Data

Operating temperature	Laboratory conditions, analyzer specific (+15°C to +30°C)
RoHS, REACH	Compliant

#### Electrical Data

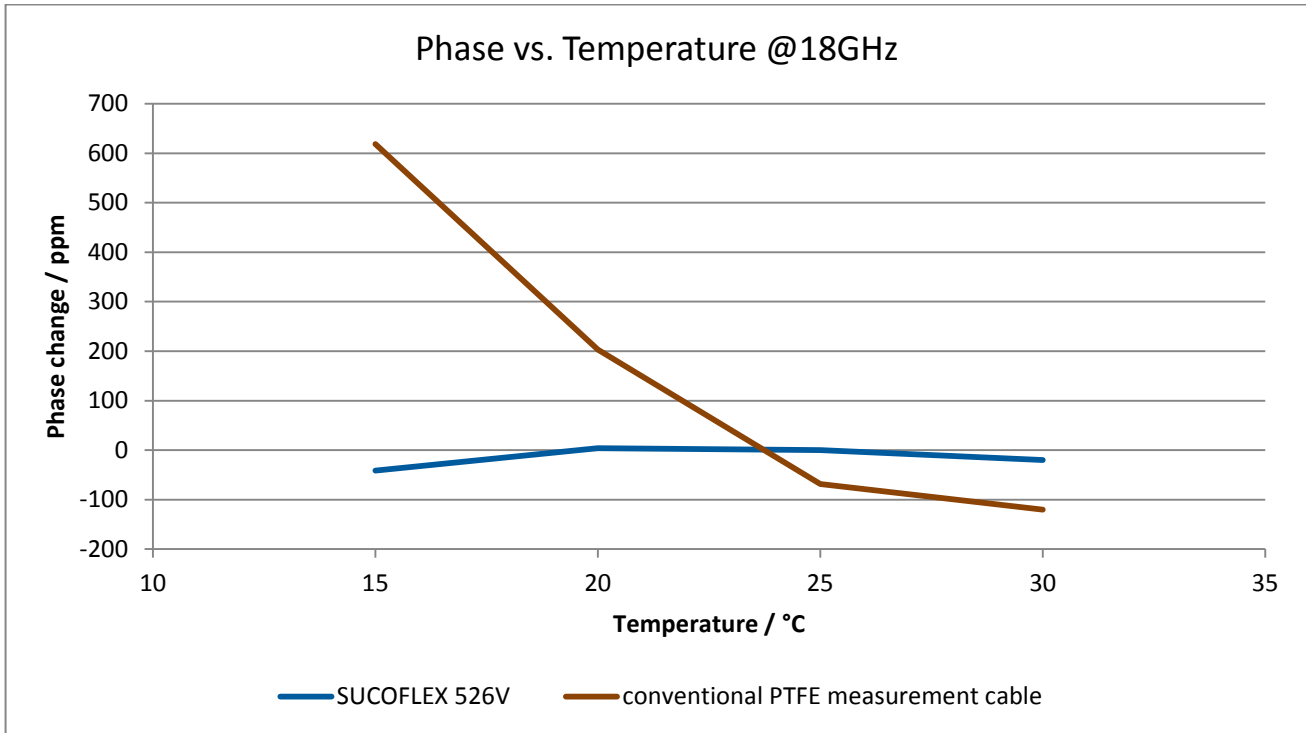
Impedance	50 Ω	
Operating frequency	up to 26.5 GHz	
Velocity of propagation	80 %	
Time delay	4.17 ns / m	
Return loss	min. 20 dB	up to 26.5 GHz
Return loss stability	> 40 dB	up to 26.5 GHz
Insertion loss (assembly)	max. 3.6 dB	26.5 GHz, 25°C
Screening effectiveness	> 90 dB	up to 26.5 GHz
Amplitude stability vs. movement (*)	max. 0.05 dB	up to 26.5 GHz
Amplitude stability vs. flexure (**)	max. 0.08 dB	up to 26.5 GHz
Phase stability vs. flexure (**)	max. 7.4°	up to 26.5 GHz
Phase stability vs. tensile stress	max. 0.1° / GHz	100 N, up to 26.5 GHz
Phase stability vs. temperature	max. 50 ppm	15°C to 30°C, up to 26.5GHz

(\*) Stability test vs. movement 30s, displacement: 100 mm

(\*\*) Stability test vs. flexure 180°, diameter 115 mm

## SF526V/35VF/35F/38inch Microwave Cable Assembly

### Phase vs. temperature performance



### Phase shift vs. temperature (+15°C to + 30°C)

		SUCOFLEX 526V	Conventional VNA test lead
Assembly length (in (mm))	Frequency (GHz)*	Phase shift /° (for 50 ppm, 80% VOP)	Phase shift /° (for 700 ppm, 84% VOP)
38 (965)	18	1.4	17.3
38 (965)	26.5	2.0	25.4

\*Other frequencies on request

### Connector configuration

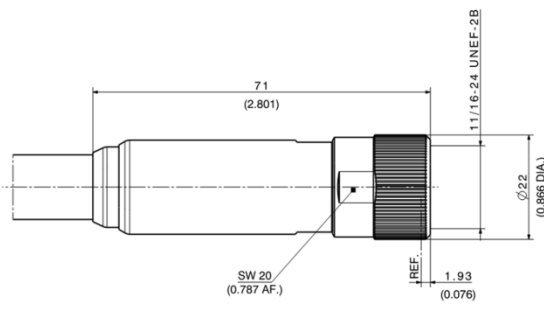


Figure 1: 35 VM (3.5 mm ruggedized PORT female)

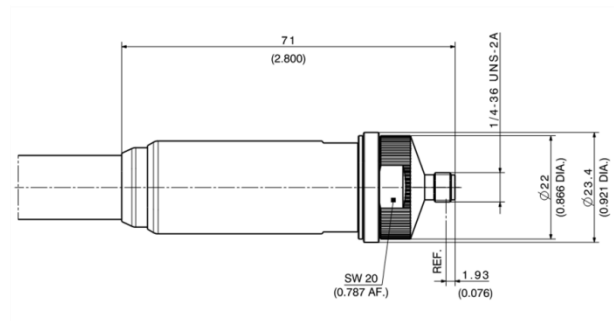


Figure 2: 35 F (3.5 mm DUT female)

## X-ON Electronics

Largest Supplier of Electrical and Electronic Components

*Click to view similar products for [Huber & Suhner](#) manufacturer:*

Other Similar products are found below :

[3402.17.A](#) [31 MMBX-SMA-50-1/111 NE](#) [74Z-0-23-17](#) [65 SMA-50-0-1/111 NE](#) [32 MMBX-50-0-6 / 111 NE](#) [Mini141 K-16](#) [7404.17.0003](#)  
[33\\_N-SMA-50-51/1--\\_UE](#) [76\\_Z-0-2-1](#) [Minibend L-13](#) [Microbend MTR-11](#) [16\\_N-50-3-103/133\\_NE](#) [Microbend R-4.5](#) [74\\_Z-0-0-53](#)  
[85\\_SMC-50-0-1/133\\_NE](#) [31\\_PC35-50-0-2/199\\_NE](#) [65\\_BNC-50-0-2/133\\_NE](#) [1399.17.0125](#) [76\\_Z-0-4-1](#) [80346275](#) [11\\_C-50-7-6/133\\_NE](#)  
[6620\\_SMA-50-2/199\\_NE](#) [Minibend R-5.5](#) [11\\_SMB-50-2-41/111\\_NE](#) [Mini141 K-8](#) [74\\_Z-0-0-246](#) [22\\_BNC-50-0-5/133\\_NE](#) [6500\\_N-50-](#)  
[1/199\\_NE](#) [6560.17.AA](#) [3401.17.0033](#) [11\\_N-50-2-1/133\\_NE](#) [3401.00.0022](#) [74\\_Z-0-0-142](#) [11\\_QLA-01-2-8/122\\_NE](#) [34\\_BNC-50-0-6/100\\_NE](#)  
[74\\_Z-0-0-59](#) [Minibend R-6.5](#) [21\\_N-75-4-8/133\\_NE](#) [24\\_BNC-75-2-1/133\\_NE](#) [24\\_H4-50-3-1/133\\_NE](#) [Minibend-14](#) [31\\_SHV-50-0-1/133\\_NE](#)  
[23\\_SK-50-0-52/199\\_NE](#) [74\\_Z-0-0-214](#) [23\\_BNC-50-0-2/133\\_NE](#) [74\\_Z-0-0-60](#) [33\\_SK-PC24-50-1/199\\_NE](#) [24\\_N-50-7-8/133\\_NE](#) [74\\_Z-0-0-](#)  
[157](#) [6810\\_N-50-1/1--\\_NE](#)