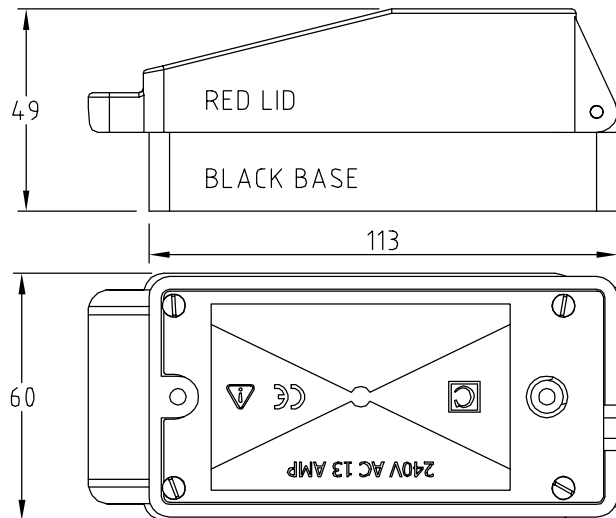
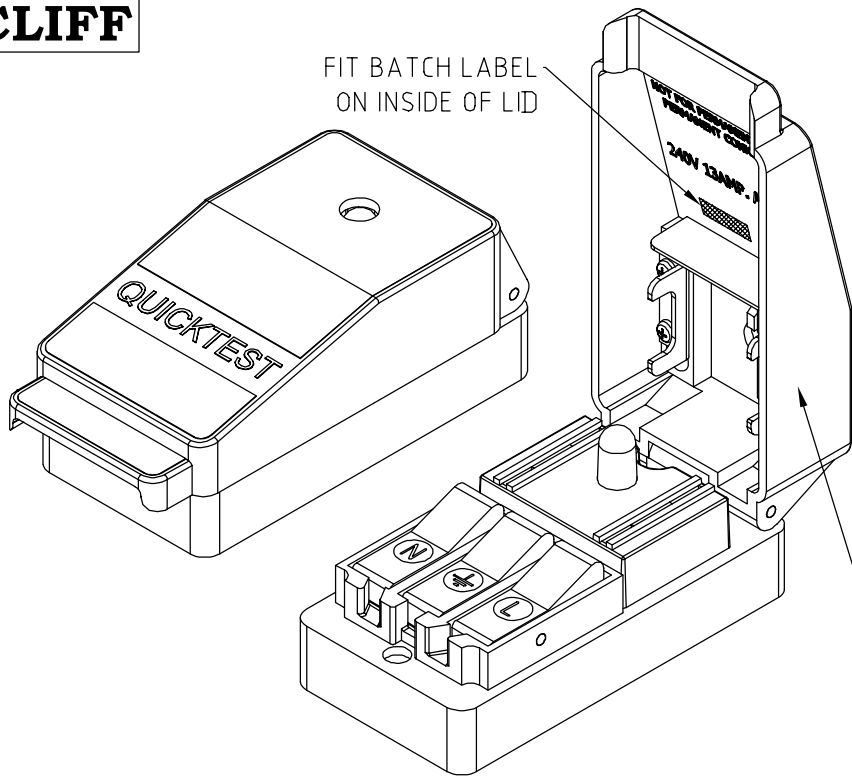


ISS.	AMEND	DATE
1	ISSUED	29/11/16



FIT WITH 13A FUSE

PACKING:

- a) FIT BATCH LABEL ON INSIDE OF LID.
- b) FIT WITH 13A FUSE
- c) PACK IN BOX WITH QT1 USA/CANADA INSTRUCTION LEAFLET OD1857SA2



N \perp L
CHECK COLOUR AND ID



QT1 USA/CANADA
INSTRUCTION LEAFLET

QT1 1st DRAWN 28/10/91



TOLERANCE
 NO DEC. PLACE \pm
 1 DEC. PLACE \pm
 2 DEC. PLACE \pm
 HOLE $\varnothing \pm$
 ANGLES \pm
 UNLESS OTHERWISE STATED

DO NOT SCALE

Cliff Electronic Components Ltd.
 76 Holmehorpe Avenue, Holmehorpe Industrial Estate,
 Redhill, Surrey, RH1 2PF, England, UK
 Tel: 01737-771375 Fax: 01737-766012 Website: www.cliffuk.co.uk

DIMENSIONS IN MILLIMETERS UNLESS OTHERWISE STATED. WORK TO DIMENSIONS. REMOVE ALL BURRS. IF IN DOUBT ASK.

3rd ANGLE PROJECTION:

MATERIAL: COMPOSITE

TITLE: QT1 USA/CANADA (13A FUSE)

FINISH: AS MOULDED (N=WHITE E=GREEN L=BLACK)

DRAWN: T.J.O.

APPROVED: D.P.J.

DRWG. No. **CL1857**

FORM: A4DRWGH

THE CONTENTS OF THIS DOCUMENT MUST NOT BE COPIED OR DISCLOSED TO A 3rd PARTY WITHOUT WRITTEN PERMISSION OF CLIFF UK. © 2016

X-ON Electronics

Largest Supplier of Electrical and Electronic Components

Click to view similar products for [Cliff manufacturer](#):

Other Similar products are found below :

[FC7105](#) [CIH206011](#) [CIH22105](#) [FCR7360L](#) [FM686813](#) [CP30152](#) [CP30173](#) [CP30176](#) [CP30178](#) [CP30179](#) [CP30180](#) [CP30186](#) [FCR7942](#)
[CL-SFE/1 FILTERS](#) [CP30220X](#) [FCR7360B](#) [FM686816](#) [CIH29917](#) [CP30170](#) [CP30174](#) [CIH684216](#) [FD72082](#) [FCR2062](#) [CP30171](#) [CP30182](#)
[CP30184](#) [CIH3021](#) [FM686806](#) [CIH29950](#) [CIH29916](#) [CP30150](#) [CP30500C](#) [FCR1121](#) [CL1115](#) [CP30181](#) [CP30202M](#) [CP30202M3B](#) [K85](#)
[CAPS BLUE PLAIN](#) [CIH299450](#) [CL2075S](#) [FM65015](#) [CL2076S](#) [CL1734](#) [300PN](#) [DCPP3](#) [FC7106](#) [FCR7960RB](#) [FM686842](#) [CP30202M3](#)
[CIH3006](#)