



# Electrical & mechanical fixing systems E-Klips spring steel fasteners



# Electrical & mechanical fixing systems

## E-Klips spring steel fasteners

<a href="#">Introduction</a>	<b>1</b>
<a href="#">Girder &amp; Purlin</a>	<b>2</b>
<a href="#">Rod</a>	<b>3</b>
<a href="#">Conduit</a>	<b>4</b>
<a href="#">Cable</a>	<b>5</b>
<a href="#">Ceiling</a>	<b>6</b>
<a href="#">Decking</a>	<b>7</b>
<a href="#">Pipe</a>	<b>8</b>
<a href="#">Suspension</a>	<b>9</b>
<a href="#">Miscellaneous</a>	<b>10</b>
<a href="#">Merchandiser unit</a>	<b>11</b>
<a href="#">Technical information</a>	<b>12</b>
<a href="#">Part number index</a>	<b>13</b>



# Introduction

## Introduction

History	1/2
Applications	1/2
Reduced installation time	1/2
Ultimate corrosion protection	1/2
FMRC approval	1/2

# Introduction

1

E-Klips is the market leading spring steel fastener brand, delivering robust, flexible and easy to install fixing solutions for a wide range of applications.

## History

E-Klips spring steel fasteners have been manufactured in the UK for over 25 years. They offer a quick, easy and reliable method of fixing services to steelwork without the need for bracket making, drilling holes or the use of nuts and bolts.

## Applications

The E-Klips spring steel fasteners range provides a fixing for almost every application, including:

- Cables
- Pipework
- Trunking
- Ducting
- Cable tray
- Light fittings
- Conduit
- Suspended ceilings

## Reduced installation time


E-Klips spring steel fasteners have been developed to reduce installation time. They are easy to install using only a hammer, screwdriver, spanner or pliers.

## Ultimate corrosion protection

E-Klips spring steel fasteners are now protected with our revolutionary Z600+ coating.

This unique two-stage protective coating ensures that E-Klips fasteners remain protected from corrosion for a considerable period of time. Z600+ is an environmentally-friendly product which meets the requirement for a low solvent content material.

## FMRC Approval

 approval indicates that the product has been tested and approved by the Factory Mutual Research Corporation (FMRC) for use in buildings where fire regulations and environmental concerns would apply.



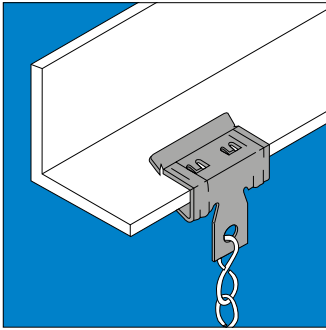
# Girder & purlin

## Girder & purlin

Type AH - Girder clips for chain or wire	2/2
Type AV - Purlin clips for chain or wire	2/2
Type FH - Girder clamps for threaded rod	2/2
Type EH - Girder clips for conduit box	2/3
Type SM - Purlin clip for chain or wire	2/3
Type RM - Purlin clip for chain or wire	2/4
Type VM - Purlin clip for chain or wire	2/4
Type TM - Purlin clip for conduit box	2/4

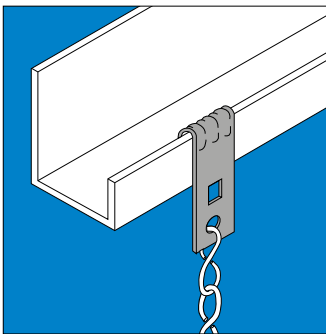
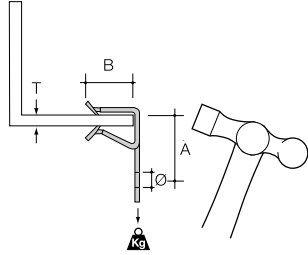
# Girder & purlin Type AH, AV & FH

2



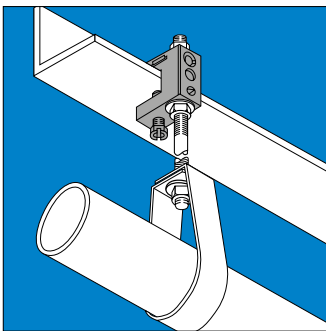
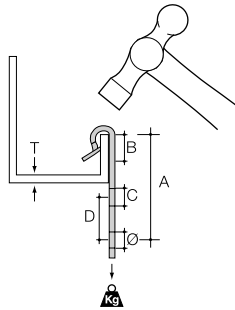
## Girder clips for chain or wire

Part no.	ABB order code	T (mm)	Ø (mm)	A (mm)	B (mm)	Load rating (kg)	Material finishes	Quantity (pieces)
AH-153	7TCA084030R0448	1.5-3	6.5	16	12.5	72	F8+	100
AH-38	7TCA084030R0452	3-8	6.5	18	20.3	90	F8+	100
AH-814	7TCA084030R0457	8-14	6.5	26	20.3	90	F8+	100
AH-1420	7TCA084030R0443	14-20	6.5	30	26.6	90	F8+	100



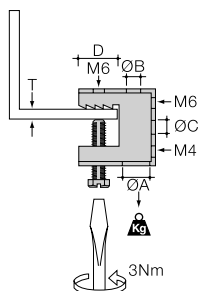
## Purlin clips for chain or wire

Part no.	ABB order code	T (mm)	Ø (mm)	A (mm)	B (mm)	C (mm)	D (mm)	Load rating (kg)	Material finishes	Quantity (pieces)
AV-155	7TCA084030R0734	1.5-4	6.5	41	14	6.5	12	72	F8+	100
AV-57	7TCA084030R0739	4.5-7	6.5	42	15	6.5	12	72	F8+	100



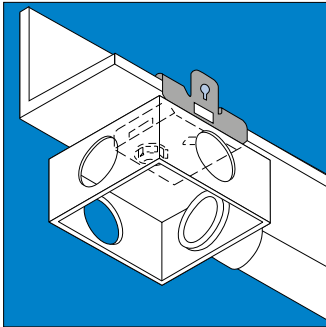
## Girder clamps for threaded rod

Part no.	ABB order code	T (mm)	ØA (mm)	ØB (mm)	ØC (mm)	D (mm)	Load rating (kg)	Material finishes	Quantity (pieces)
FH-65	7TCA084030R1214	Max 18	12.7	6.5	6.5	19.5	45	F8+	100
FH-107	7TCA084030R1210	Max 18	10.7	10.7	6.5	19.5	45	F8+	100



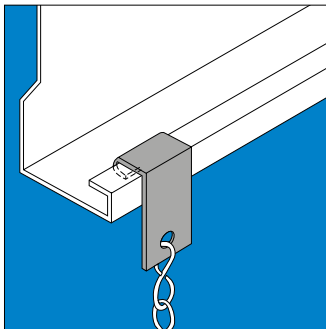
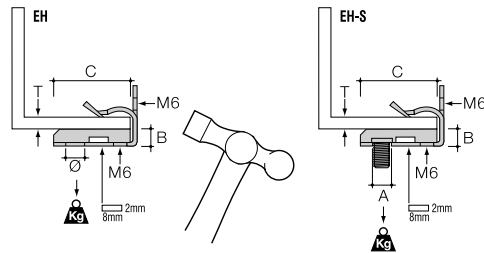


# Girder & purlin Type EH & SM



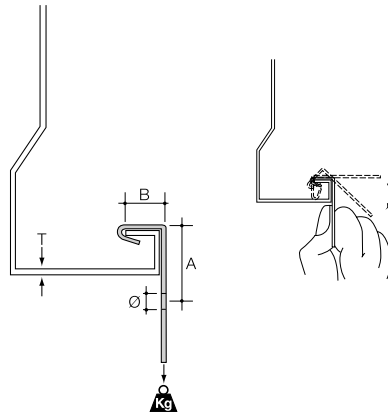
## Girder clips for conduit box

Part no.	ABB order code	T (mm)	Ø (mm)	A (mm)	B (mm)	C (mm)	Load rating (kg)	Material finishes	Quantity (pieces)
EH-38	7TCA084030R1091	3-8	7	-	7.5	33	45	F8+	100
EH-814	7TCA084030R1098	8-14	7	-	7.5	33	45	F8+	100
EH-1420	7TCA084030R1085	14-20	7	-	7.5	33	45	F8+	100
EH-38S	7TCA084030R1095	3-8	-	M6x10	7.5	33	45	F8+	100
EH-814S	7TCA084030R1102	8-14	-	M6x10	7.5	33	45	F8+	100
EH-1420S	7TCA084030R1088	14-20	-	M6x10	7.5	33	45	F8+	100



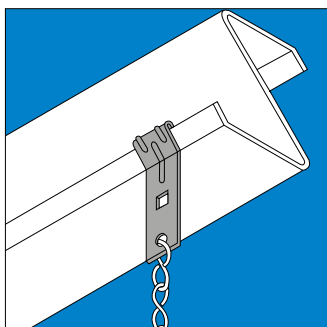
## Purlin clip for chain or wire

Part no.	ABB order code	T (mm)	Ø (mm)	A (mm)	B (mm)	Load rating (kg)	Material finishes	Quantity (pieces)
SM-125	7TCA084030R1753	≤3.0	6.5	37	12.5	20	F2	100



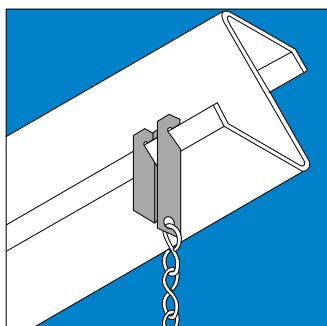
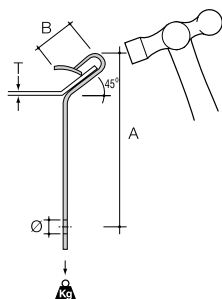
# Girder & purlin Type RM, VM & TM

2



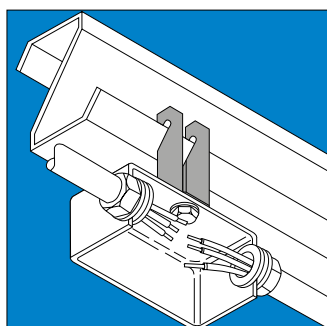
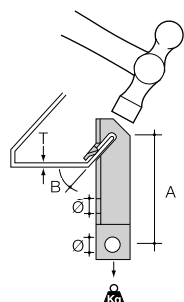
Purlin clip for chain or wire

Part no.	ABB order code	T (mm)	Ø (mm)	A (mm)	B (mm)	Load rating (kg)	Material finishes	Quantity (pieces)
RM-055	7TCA084030R1735	1.5-4	6.5	53	15	45	F8+	100



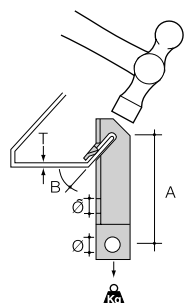
Purlin clip for chain or wire

Part no.	ABB order code	T (mm)	Ø (mm)	A (mm)	B	Load rating (kg)	Material finishes	Quantity (pieces)
VM-03	7TCA084030R1848	1-3	6.5	48	45°	45	F8+	100



Purlin clip for conduit box

Part no.	ABB order code	T (mm)	Ø (mm)	A (mm)	B	Load rating (kg)	Material finishes	Quantity (pieces)
TM-03	7TCA084030R1823	1-3	6.5	43	45°	45	F8+	100



# Rod

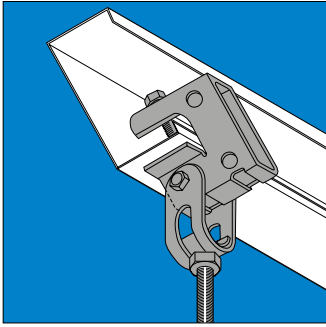
## Rod

Type SRH - Girder clamp for threaded rod	3/2
Type FC - Girder clamps for threaded rod	3/2
Type YH - Girder clamps for threaded rod	3/2
Type SSYH - Girder clamps for threaded rod	3/2
Type BH - Girder clamps for threaded rod	3/3
Type PD - Purlin clamp for threaded rod	3/3
Type FM - Fastening clips for threaded rod	3/3
Type AM - Fastening clips for threaded rod	3/4
Type YM - Fastening clips for threaded rod	3/4
Type BM - Fastening clips for rod	3/4
Type AH-AM - Girder clips for threaded rod	3/5
Type AH-YM - Girder clips for threaded rod	3/5
Type AH-BM - Girder clips for rod	3/6
Type AHB - Girder clips for threaded rod	3/6
Type AV-JB - Purlin clips for threaded rod	3/6
Type AV-AM - Purlin clips for threaded rod	3/7
Type AVB - Purlin clips for threaded rod	3/7
Type AV-BM - Purlin clips for rods	3/7
Type SM-AM - Purlin clips for threaded rod	3/8
Type UM-AM & UM-YM - Fastening clips for threaded rod	3/8
Type UM-BM - Fastening clips for rod	3/8
Type FH-AM - Girder clamps for threaded rod	3/9
Type FH-BM - Girder clamps for rod	3/9
Type VM-AM - Purlin clips for threaded rod	3/9
Type RM-AM - Purlin clips for threaded rod	3/10
Type VM-BM - Purlin clips for rod	3/10
Type TL - Threaded rod connector	3/10

# Rod

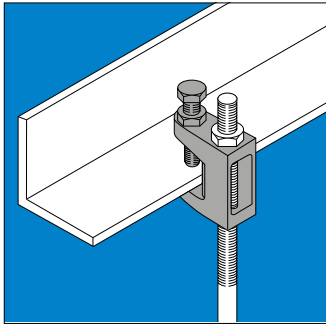
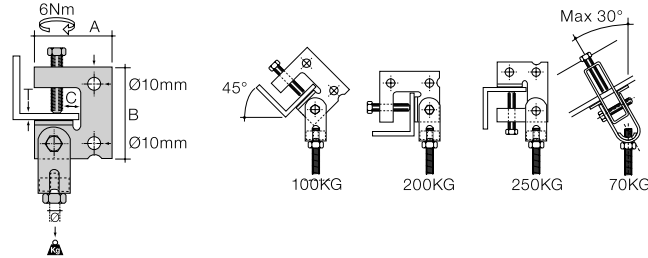
## Type SRH, FC, YH & SSYH

3



Girder clamp for threaded rod

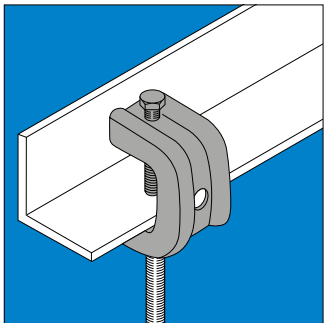
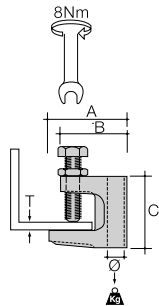
Part no.	ABB order code	T (mm)	Ø (mm)	A (mm)	B (mm)	C (mm)	Load rating (kg)	Material finishes	Quantity (pieces)
SRH	7TCA084220R0406	Max 25	M10	71	60	12	200	F8+	10



Girder clamps for threaded rod

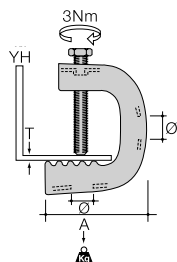
Part no.	ABB order code	T (mm)	Ø (mm)	A (mm)	B (mm)	C (mm)	Load rating (kg)	Material finishes	Quantity (pieces)
FC-7	7TCA084220R0159	Max 19	7	50	42	45	120	F1	25
FC-9	7TCA084220R0161	Max 19	9	50	42	45	120	F1	25
FC-11	7TCA084220R0153	Max 19	11	50	42	45	250	F1	25
FC-13	7TCA084220R0156	Max 23	13	59	49	54	350	F1	25
FC-6T	7TCA084220R0158	Max 19	M6	50	42	45	120	F1	25
FC-8T	7TCA084220R0160	Max 19	M8	50	42	45	120	F1	25
FC-10T	7TCA084220R0152	Max 19	M10	50	42	45	250	F1	25
FC-12T	7TCA084220R0155	Max 23	M12	59	49	54	350	F1	25

Approvals



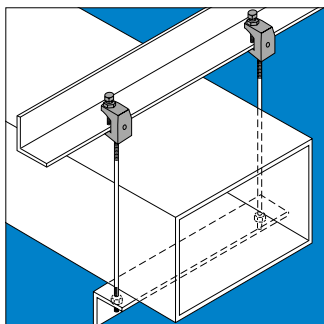
Girder clamps for threaded rod

Part no.	ABB order code	T (mm)	Ø (mm)	A (mm)	Load rating (kg)	Material finishes	Quantity (pieces)
YH-1021	7TCA084220R0558	10-21	14	47	110	F2	25
YH-1533	7TCA084220R0560	15-33	14	60	110	F2	25
YH-3247	7TCA084220R0562	32-47	14	70	110	F2	25
SSYH-1021	7TCA084220R0455	10-21	14	47	110	F3	25
SSYH-1533	7TCA084220R0457	15-33	14	60	110	F3	25
SSYH-3247	7TCA084220R0459	32-47	14	70	110	F3	25



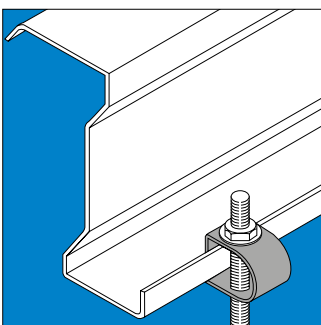
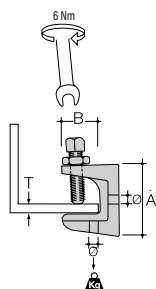
# Rod

## Type BH, PD & FM



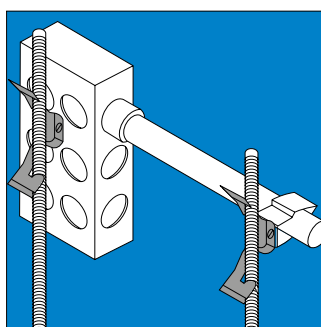
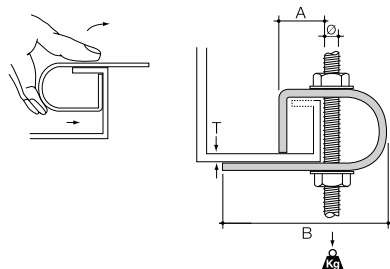
### Girder clamps for threaded rod

Part no.	ABB order code	T (mm)	Ø (mm)	A (mm)	B (mm)	Load rating (kg)	Material finishes	Quantity (pieces)
BH-6T	7TCA084220R0070	Max 18	M6	40	22	60	F1	25
BH-8T	7TCA084220R0072	Max 18	M8	40	22	60	F1	25
BH-10T	7TCA084220R0068	Max 18	M10	40	22	60	F1	25



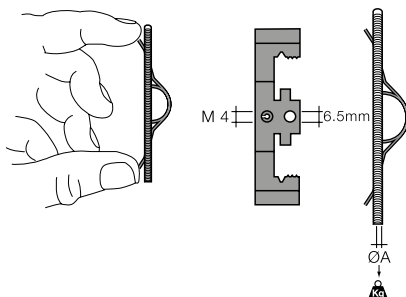
### Purlin clamp for threaded rod

Part no.	ABB order code	T (mm)	Ø (mm)	A (mm)	B (mm)	Load rating (kg)	Material finishes	Quantity (pieces)
PD	7TCA084220R0299	≤4	12	15	85	40	F2	50



### Fastening clips for threaded rod

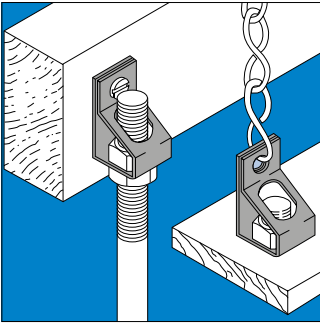
Part no.	ABB order code	ØA	Load rating (kg)	Material finishes	Quantity (pieces)
FM-313T	7TCA084030R1270	M6/M8/M10	10	F8+	100
FM-320T	7TCA084030R1274	M6/M8/M10	10	F8+	100



# Rod

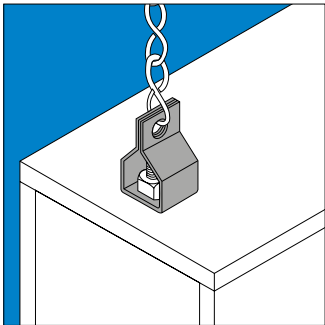
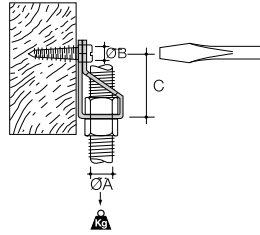
## Type AM, YM & BM

3



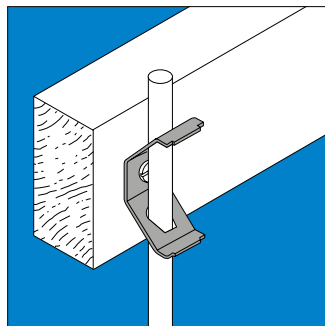
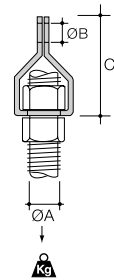
### Fastening clips for threaded rod

Part no.	ABB order code	ØA (mm)	ØB (mm)	C (mm)	Load rating (kg)	Material finishes	Quantity (pieces)
AM-127	7TCA084030R0728	12.7	6.5	28	68	F8+	100
AM-6T	7TCA084030R0730	M6	6.5	28	68	F8+	100
AM-8T	7TCA084030R0732	M8	6.5	28	68	F8+	100
AM-10T	7TCA084030R0726	M10	6.5	28	68	F8+	100



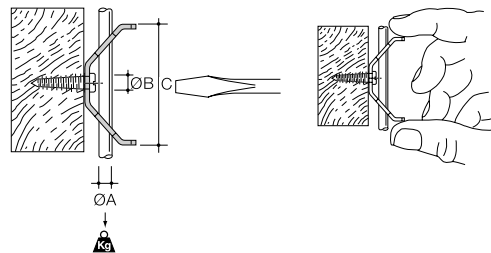
### Fastening clip for threaded rod

Part no.	ABB order code	ØA (mm)	ØB (mm)	C (mm)	Load rating (kg)	Material finishes	Quantity (pieces)
YM-127	7TCA084030R1865	12.7	6.5	30	90	F8+	100



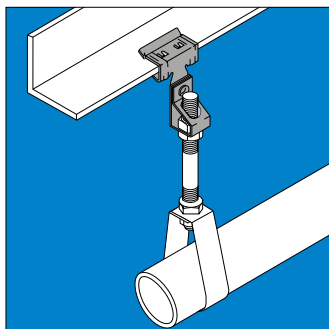
### Fastening clips for rod

Part no.	ABB order code	ØA (mm)	ØB (mm)	C (mm)	Load rating (kg)	Material finishes	Quantity (pieces)
BM-6	7TCA084030R0839	6/M6	6.5	45	90	F8+	100
BM-8	7TCA084030R0841	8/M8	6.5	45	90	F8+	100
BM-10	7TCA084030R0835	10/M10	6.5	45	90	F8+	100



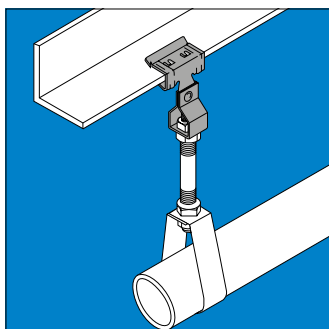
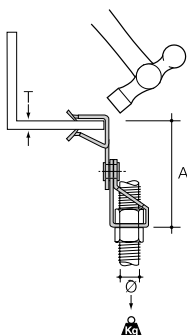
# Rod

## Type AH-AM & AH-YM



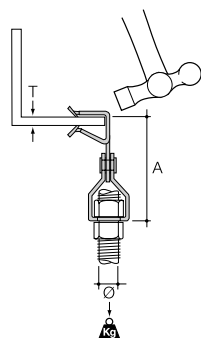
Girder clips for threaded rod

Part no.	ABB order code	T (mm)	Ø (mm)	A (mm)	Load rating (kg)	Material finishes	Quantity (pieces)
AH153-AM127	7TCA084030R0522	1.5-3	12.7	44	68	F8+	25
AH38-AM127	7TCA084030R0566	3-8	12.7	46	68	F8+	25
AH814-AM127	7TCA084030R0626	8-14	12.7	54	68	F8+	25
AH1420-AM127	7TCA084030R0465	14-20	12.7	66	68	F8+	25
AH153-AM6T	7TCA084030R0524	1.5-3	M6	44	68	F8+	25
AH38-AM6T	7TCA084030R0569	3-8	M6	46	68	F8+	25
AH814-AM6T	7TCA084030R0629	8-14	M6	54	68	F8+	25
AH1420-AM6T	7TCA084030R0467	14-20	M6	66	68	F8+	25
AH153-AM8T	7TCA084030R0525	1.5-3	M8	44	68	F8+	25
AH38-AM8T	7TCA084030R0572	3-8	M8	46	68	F8+	25
AH814-AM8T	7TCA084030R0632	8-14	M8	54	68	F8+	25
AH1420-AM8T	7TCA084030R0470	14-20	M8	66	68	F8+	25
AH153-AM10T	7TCA084030R0520	1.5-3	M10	44	68	F8+	25
AH38-AM10T	7TCA084030R0563	3-8	M10	46	68	F8+	25
AH814-AM10T	7TCA084030R0623	8-14	M10	54	68	F8+	25
AH1420-AM10T	7TCA084030R0462	14-20	M10	66	68	F8+	25



Girder clips for threaded rod

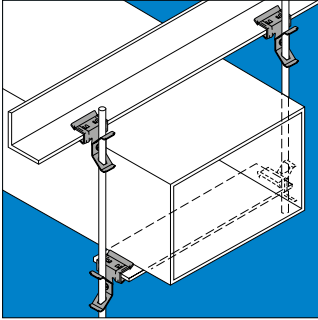
Part no.	ABB order code	T (mm)	Ø (mm)	A (mm)	Load rating (kg)	Material finishes	Quantity (pieces)
AH153-YM127	7TCA084030R0561	1.5-3	12.7	48	72	F8+	25
AH38-YM127	7TCA084030R0621	3-8	12.7	48	90	F8+	25
AH814-YM127	7TCA084030R0681	8-14	12.7	56	90	F8+	25
AH1420-YM127	7TCA084030R0515	14-20	12.7	70	90	F8+	25



# Rod

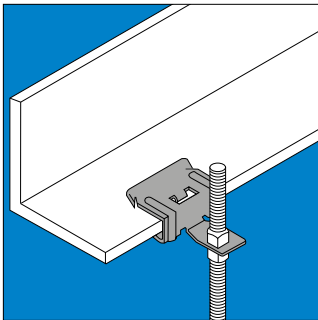
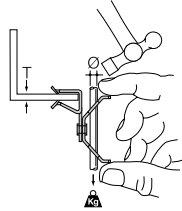
## Type AH-BM, AHB & AV-JB

3



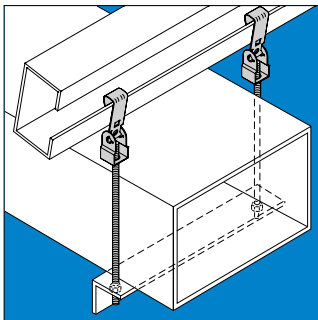
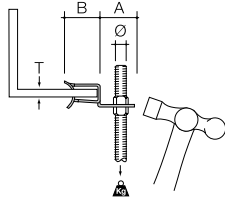
### Girder clips for rod

Part no.	ABB order code	T (mm)	Ø (mm)	Load rating (kg)	Material finishes	Quantity (pieces)
AH153-BM6	7TCA084030R0532	1.5-3	6/M6	72	F8+	25
AH38-BM6	7TCA084030R0580	3-8	6/M6	90	F8+	25
AH814-BM6	7TCA084030R0639	8-14	6/M6	90	F8+	25
AH1420-BM6	7TCA084030R0476	14-20	6/M6	90	F8+	25
AH153-BM8	7TCA084030R0534	1.5-3	8/M8	72	F8+	25
AH38-BM8	7TCA084030R0582	3-8	8/M8	90	F8+	25
AH814-BM8	7TCA084030R0641	8-14	8/M8	90	F8+	25
AH1420-BM8	7TCA084030R0478	14-20	8/M8	90	F8+	25
AH153-BM10	7TCA084030R0529	1.5-3	10/M10	72	F8+	25
AH38-BM10	7TCA084030R0576	3-8	10/M10	90	F8+	25
AH814-BM10	7TCA084030R0636	8-14	10/M10	90	F8+	25
AH1420-BM10	7TCA084030R0473	14-20	10/M10	90	F8+	25



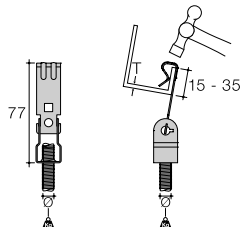
### Girder clips for threaded rod

Part no.	ABB order code	T (mm)	Ø (mm)	A (mm)	B (mm)	Load rating (kg)	Material finishes	Quantity (pieces)
AHB-153	7TCA084030R0685	1.5-3	6.5	22	12.5	20	F8+	100
AHB-38	7TCA084030R0687	3-8	6.5	25	20.3	20	F8+	100
AHB-814	7TCA084030R0690	8-14	6.5	26	20.3	20	F8+	100
AHB-1420	7TCA084030R0683	14-20	6.5	27	26.6	20	F8+	100



### Purlin clips for threaded rod

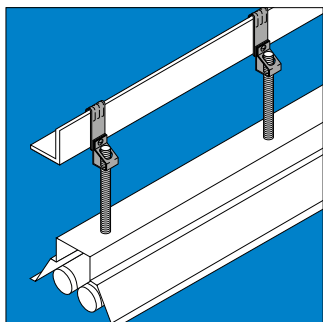
Part no.	ABB order code	T (mm)	Ø (mm)	Load rating (kg)	Material finishes	Quantity (pieces)
AV155-JB8T	7TCA084030R0787	1.5-4	M8	70	F8+	25
AV155-JB10T	7TCA084030R0785	1.5-4	M10	70	F8+	25
AV155-JB11	7TCA084030R0786	1.5-4	11	70	F8+	25
AV57-JB8T	7TCA084030R0824	4.5-7	M8	70	F8+	25
AV57-JB10T	7TCA084030R0822	4.5-7	M10	70	F8+	25
AV57-JB11	7TCA084030R0823	4.5-7	11	70	F8+	25





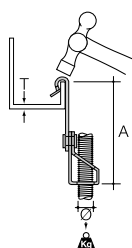
# Rod

## Type AV-AM, AVB & AV-BM

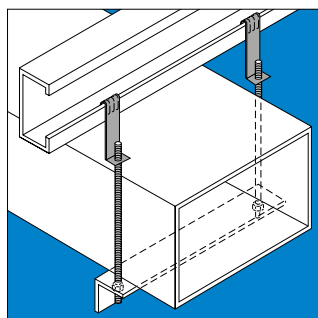


### Purlin clips for threaded rod

Part no.	ABB order code	T (mm)	Ø (mm)	A (mm)	Load rating (kg)	Material finishes	Quantity (pieces)
AV155-AM127	7TCA084030R0747	1.5-4	12.7	70	68	F8+	25
AV155-AM6T	7TCA084030R0750	1.5-4	M6	70	68	F8+	25
AV155-AM8T	7TCA084030R0754	1.5-4	M8	70	68	F8+	25
AV155-AM10T	7TCA084030R0742	1.5-4	M10	70	68	F8+	25
AV57-AM127	7TCA084030R0798	4.5-7	12.7	70	68	F8+	25
AV57-AM6T	7TCA084030R0800	4.5-7	M6	70	68	F8+	25
AV57-AM8T	7TCA084030R0803	4.5-7	M8	70	68	F8+	25
AV57-AM10T	7TCA084030R0795	4.5-7	M10	70	68	F8+	25

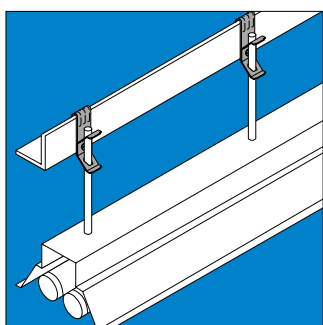
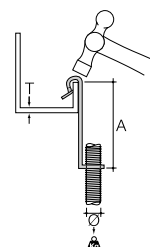


3



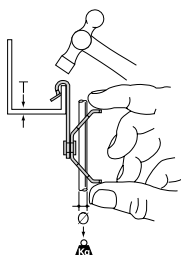
### Purlin clips for threaded rod

Part no.	ABB order code	T (mm)	Ø (mm)	A (mm)	Load rating (kg)	Material finishes	Quantity (pieces)
AVB-6T	7TCA084030R0830	1.5-5	M6	34	20	F8+	100
AVB-8T	7TCA084030R0831	1.5-5	M8	34	20	F8+	100



### Purlin clips for rod

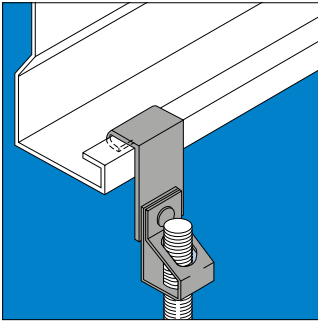
Part no.	ABB order code	T (mm)	Ø (mm)	Load rating (kg)	Material finishes	Quantity (pieces)
AV155-BM6	7TCA084030R0762	1.5-4	6/M6	72	F8+	25
AV155-BM8	7TCA084030R0764	1.5-4	8/M8	72	F8+	25
AV155-BM10	7TCA084030R0758	1.5-4	10/M10	72	F8+	25
AV57-BM6	7TCA084030R0809	4.5-7	6/M6	72	F8+	25
AV57-BM8	7TCA084030R0811	4.5-7	8/M8	72	F8+	25
AV57-BM10	7TCA084030R0806	4.5-7	10/M10	72	F8+	25



# Rod

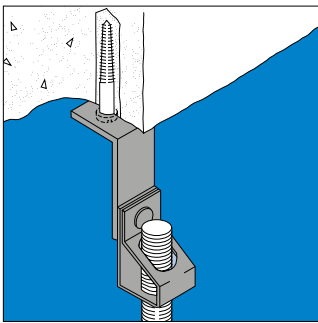
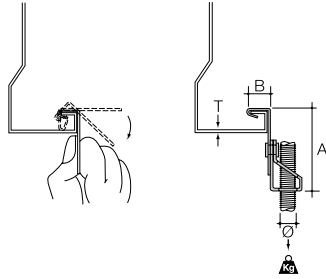
## Type SM-AM, UM-AM, UM-YM & UM-BM

3



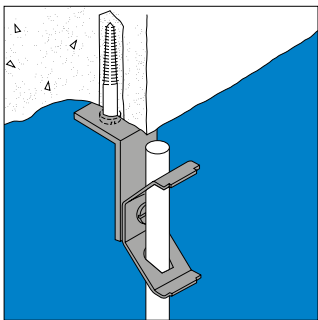
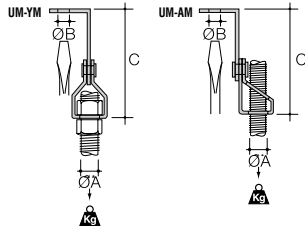
### Purlin clips for threaded rod

Part no.	ABB order code	T (mm)	Ø (mm)	A (mm)	B (mm)	Load rating (kg)	Material finishes	Quantity (pieces)
SM125-AM127	7TCA084030R1757	≤3.0	12.7	65	12.5	20	F2	25
SM125-AM6T	7TCA084030R1759	≤3.0	M6	65	12.5	20	F2	25
SM125-AM8T	7TCA084030R1761	≤3.0	M8	65	12.5	20	F2	25
SM125-AM10T	7TCA084030R1755	≤3.0	M10	65	12.5	20	F2	25



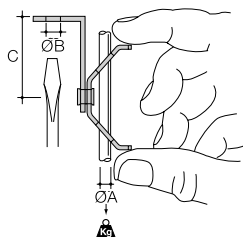
### Fastening clips for threaded rod

Part no.	ABB order code	ØA (mm)	ØB (mm)	C (mm)	Load rating (kg)	Material finishes	Quantity (pieces)
UM44-AM6T	7TCA084030R1840	M6	6.5	69	68	F8+	25
UM44-AM8T	7TCA084030R1841	M8	6.5	69	68	F8+	25
UM44-AM10T	7TCA084030R1838	M10	6.5	69	68	F8+	25
UM44-AM127	7TCA084030R1839	12.7	6.5	69	68	F8+	25
UM44-YM127	7TCA084030R1846	12.7	6.5	71	90	F8+	25



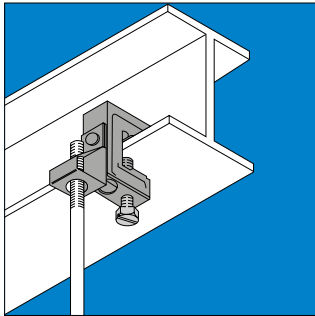
### Fastening clips for rod

Part no.	ABB order code	ØA (mm)	ØB (mm)	C (mm)	Load rating (kg)	Material finishes	Quantity (pieces)
UM44-BM6	7TCA084030R1844	6/M6	6.5	39	90	F8+	25
UM44-BM8	7TCA084030R1845	8/M8	6.5	39	90	F8+	25
UM44-BM10	7TCA084030R1842	10/M10	6.5	39	90	F8+	25



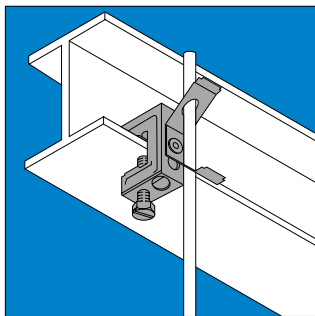
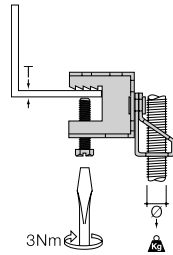
# Rod

## Type FH-AM, FH-BM & VM-AM



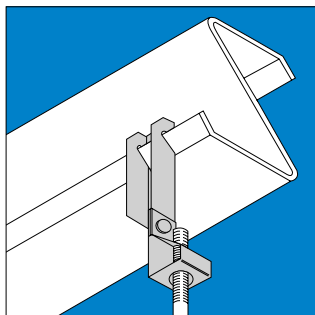
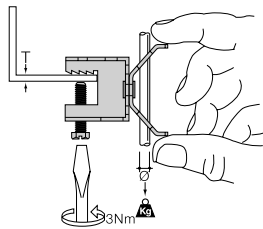
Girder clamps for threaded rod

Part no.	ABB order code	T (mm)	Ø (mm)	Load rating (kg)	Material finishes	Quantity (pieces)
FH107-AM127	7TCA084030R1220	Max 18	12.7	45	F8+	25
FH107-AM6T	7TCA084030R1222	Max 18	M6	45	F8+	25
FH107-AM8T	7TCA084030R1224	Max 18	M8	45	F8+	25
FH107-AM10T	7TCA084030R1218	Max 18	M10	45	F8+	25



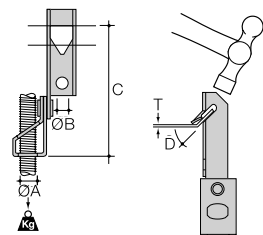
Girder clamps for rod

Part no.	ABB order code	T (mm)	Ø (mm)	Load rating (kg)	Material finishes	Quantity (pieces)
FH107-BM6	7TCA084030R1230	Max 18	6/M6	45	F8+	25
FH107-BM8	7TCA084030R1232	Max 18	8/M8	45	F8+	25
FH107-BM10	7TCA084030R1226	Max 18	10/M10	45	F8+	25



Purlin clips for threaded rod

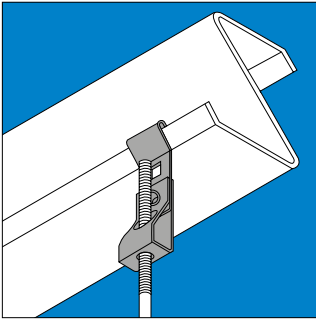
Part no.	ABB order code	T (mm)	ØA (mm)	ØB (mm)	C (mm)	D	Load rating (kg)	Material finishes	Quantity (pieces)
VM03-AM127	7TCA084030R1852	1-3	12.7	6.5	77	45°	45	F8+	25
VM03-AM6T	7TCA084030R1853	1-3	M6	6.5	77	45°	45	F8+	25
VM03-AM8T	7TCA084030R1855	1-3	M8	6.5	77	45°	45	F8+	25
VM03-AM10T	7TCA084030R1850	1-3	M10	6.5	77	45°	45	F8+	25



# Rod

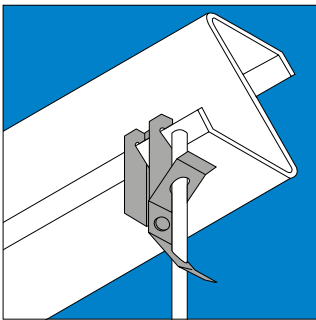
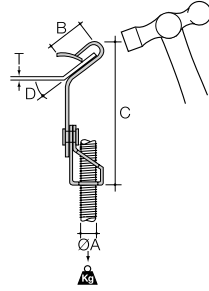
## Type RM-AM, VM-BM & TL

3



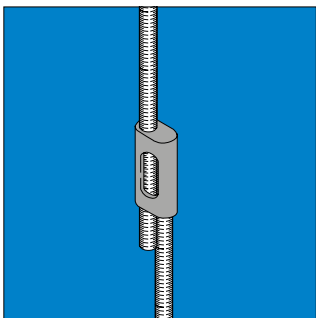
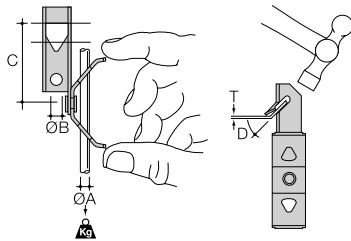
### Purlin clips for threaded rod

Part no.	ABB order code	T (mm)	ØA (mm)	B (mm)	C (mm)	D	Load rating (kg)	Material finishes	Quantity (pieces)
RM055-AM127	7TCA084030R1741	0.5-5	12.7	15	77	45°	45	F8+	25
RM055-AM6T	7TCA084030R1743	0.5-5	M6	15	77	45°	45	F8+	25
RM055-AM8T	7TCA084030R1745	0.5-5	M8	15	77	45°	45	F8+	25
RM055-AM10T	7TCA084030R1739	0.5-5	M10	15	77	45°	45	F8+	25



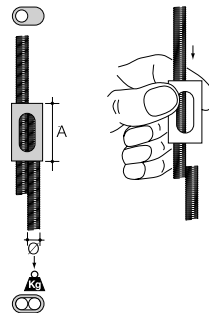
### Purlin clips for rod

Part no.	ABB order code	T (mm)	ØA (mm)	ØB (mm)	C (mm)	D	Load rating (kg)	Material finishes	Quantity (pieces)
VM03-BM6	7TCA084030R1859	1-3	6/M6	6.5	48	45°	45	F8+	25
VM03-BM8	7TCA084030R1860	1-3	8/M8	6.5	48	45°	45	F8+	25
VM03-BM10	7TCA084030R1857	1-3	10/M10	6.5	48	45°	45	F8+	25



### Threaded rod connector

Part no.	ABB order code	Ø (mm)	A (mm)	Load rating (kg)	Material finishes	Quantity (pieces)
TL10	7TCA084220R0477	M10	35	300	F2	25



# Conduit

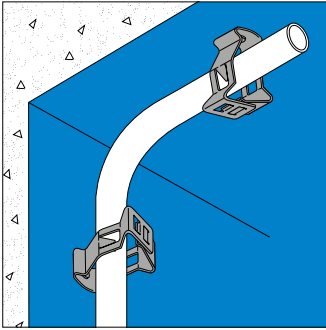
## Conduit

Type GM - Fastening clips for conduit	4/2
Type JM - Fastening clips for conduit	4/2
Type FM-T - Fastening clips for conduit	4/2
Type AH-GM - Girder clips for conduit	4/3
Type AH-JM - Girder clips for conduit	4/4
Type AV-GM - Purlin clips for conduit	4/5
Type EH-GM - Girder clips for conduit	4/6
Type EH-JM - Girder clips for conduit	4/6
Type SM-GM - Purlin clips for conduit	4/7
Type EH-P - Girder clips for conduit	4/7
Type EH-RCC - Girder clips for conduit or cable	4/8
Type RCC - Girder clips for conduit or cable	4/8
Type TM-GM - Purlin clips for conduit	4/8
Type TM-JM - Purlin clips for conduit	4/9
Type FH-GM - Girder clamps for conduit	4/9
Type FH-JM - Girder clamps for conduit	4/10
Type PM-GM - T-bar clips for conduit	4/11
Type GM-GM - Clips for conduit to conduit	4/11
Type JM-JM - Clips for conduit to conduit	4/12
Type YHR - Girder clamps for conduit	4/12
Type SSYHR - Girder clamps for conduit	4/12
Type ECH - Girder clips for conduit or pipe	4/13
Type RA - Girder clips for conduit or pipe	4/13
Type S - Girder clamps for conduit or pipe	4/14
Type H - Girder clamps for conduit or pipe	4/14

# Conduit

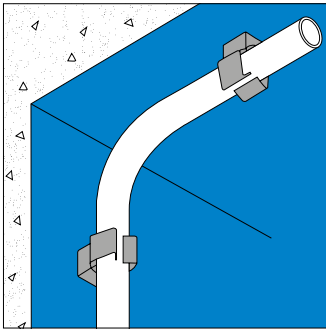
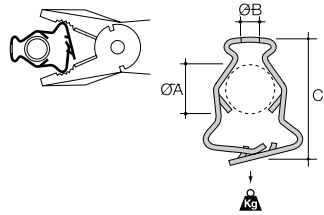
## Type GM, JM & FM-T

4



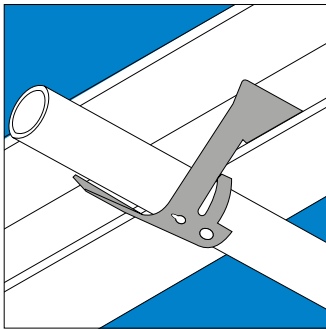
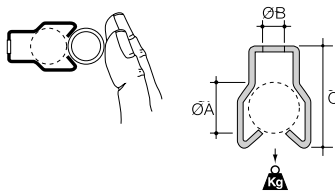
### Fastening clips for conduit

Part no.	ABB order code	ØA (mm)	ØB (mm)	C (mm)	PG type	Load rating (kg)	Material finishes	Quantity (pieces)
GM-1219	7TCA084030R1302	12-19	6.5	44	7/9/11	45	F8+	100
GM-1926	7TCA084030R1305	19-26	6.5	44	13.5/16	45	F8+	100
GM-2632	7TCA084030R1310	26-32	6.5	55	21	45	F8+	100
GM-3240	7TCA084030R1312	32-40	6.5	68	29	45	F8+	100
GM-4047	7TCA084030R1315	40-47	6.5	79	36	45	F8+	100
GM-4757	7TCA084030R1317	47-57	6.5	87	36/42	45	F8+	100



### Fastening clips for conduit

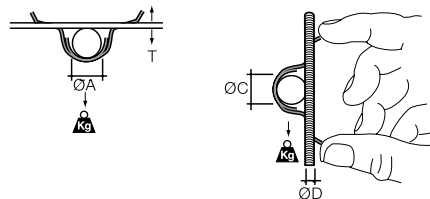
Part no.	ABB order code	ØA (mm)	ØB (mm)	C (mm)	PG type	Load rating (kg)	Material finishes	Quantity (pieces)
JM-1825	7TCA084030R1451	18-22	6.5	33	11/13.5/16	11	F8+	100
JM-2229	7TCA084030R1455	22-29	6.5	38	16/21	11	F8+	100
JM-2933	7TCA084030R1459	29-33	6.5	43	-	11	F8+	100



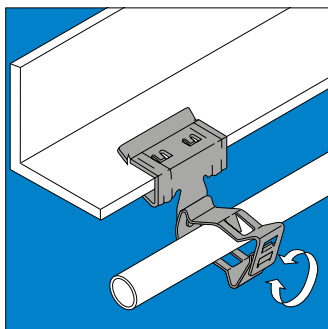
### Fastening clips for conduit

Part no.	ABB order code	T (mm)	ØA (mm)	PG type	Load rating (kg)	Material finishes	Quantity (pieces)
FM-313T	7TCA084030R1270	3-5	16-25	11/13.5/16	45	F8+	100
		6-9	16-20	11/13.5	45	F8+	100
		9-13	16	11	45	F8+	100
FM-320T	7TCA084030R1274	3-5	20-38	13.5/16/21/29	45	F8+	100
		6-9	20-35	13.5/16/21	45	F8+	100
		9-13	20-30	13.5/16/21	45	F8+	100
		13-16	20-25	13.5/16	45	F8+	100
		16-20	20	13.5	45	F8+	100

Part no.	ABB order code	ØC (mm)	ØD (mm)	PG type	Load rating (kg)	Material finishes	Quantity (pieces)
FM-313T	7TCA084030R1270	20 Max	M6/M8/M10	11	22	F8+	100
FM-320T	7TCA084030R1274	40 Max	M6/M8/M10	29	22	F8+	100

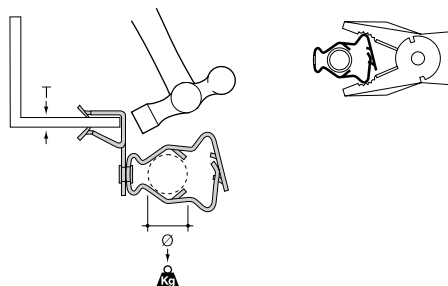


# Conduit Type AH-GM



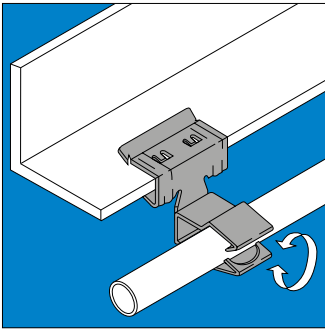
## Girder clips for conduit

Part no.	ABB order code	T (mm)	Ø (mm)	PG type	Load rating (kg)	Material finishes	Quantity (pieces)
AH153-GM1219	7TCA084030R0544	1.5-3	12-19	7/9/11	12	F8+	25
AH153-GM1926	7TCA084030R0546	1.5-3	19-26	13.5/16	12	F8+	25
AH153-GM2632	7TCA084030R0548	1.5-3	26-32	21	12	F8+	25
AH153-GM3240	7TCA084030R0550	1.5-3	32-40	29	12	F8+	25
AH153-GM4047	7TCA084030R0552	1.5-3	40-47	36	12	F8+	25
AH153-GM4757	7TCA084030R0554	1.5-3	47-57	36/42	12	F8+	25
AH38-GM1219	7TCA084030R0593	3-8	12-19	7/9/11	12	F8+	25
AH38-GM1926	7TCA084030R0595	3-8	19-26	13.5/16	12	F8+	25
AH38-GM2632	7TCA084030R0598	3-8	26-32	21	12	F8+	25
AH38-GM3240	7TCA084030R0600	3-8	32-40	29	12	F8+	25
AH38-GM4047	7TCA084030R0602	3-8	40-47	36	12	F8+	25
AH38-GM4757	7TCA084030R0604	3-8	47-57	36/42	12	F8+	25
AH814-GM1219	7TCA084030R0650	8-14	12-19	7/9/11	12	F8+	25
AH814-GM1926	7TCA084030R0652	8-14	19-26	13.5/16	12	F8+	25
AH814-GM2632	7TCA084030R0655	8-14	26-32	21	12	F8+	25
AH814-GM3240	7TCA084030R0657	8-14	32-40	29	12	F8+	25
AH814-GM4047	7TCA084030R0659	8-14	40-47	36	12	F8+	25
AH814-GM4757	7TCA084030R0661	8-14	47-57	36/42	12	F8+	25
AH1420-GM1219	7TCA084030R0487	14-20	12-19	7/9/11	12	F8+	25
AH1420-GM1926	7TCA084030R0489	14-20	19-26	13.5/16	12	F8+	25
AH1420-GM2632	7TCA084030R0493	14-20	26-32	21	12	F8+	25
AH1420-GM3240	7TCA084030R0495	14-20	32-40	29	12	F8+	25
AH1420-GM4047	7TCA084030R0497	14-20	40-47	36	12	F8+	25
AH1420-GM4757	7TCA084030R0499	14-20	47-57	36/42	12	F8+	25



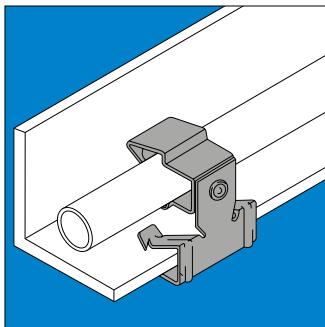
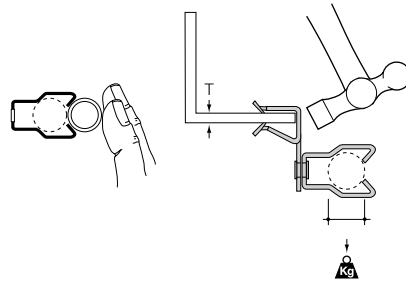
# Conduit Type AH-JM

4



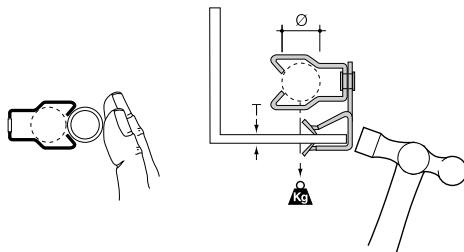
Girder clips for conduit

Part no.	ABB order code	T (mm)	Ø (mm)	PG type	Load rating (kg)	Material finishes	Quantity (pieces)
AH38-JM1825	7TCA084030R0606	3-8	18-22	11/13.5/16	7	F8+	25
AH38-JM2229	7TCA084030R0610	3-8	22-29	16/21	7	F8+	25
AH38-JM2933	7TCA084030R0614	3-8	29-33	-	7	F8+	25
AH814-JM1825	7TCA084030R0663	8-14	18-22	11/13.5/16	7	F8+	25
AH814-JM2229	7TCA084030R0667	8-14	22-29	16/21	7	F8+	25
AH814-JM2933	7TCA084030R0671	8-14	29-33	-	7	F8+	25
AH1420-JM1825	7TCA084030R0501	14-20	18-22	11/13.5/16	7	F8+	25
AH1420-JM2229	7TCA084030R0504	14-20	22-29	16/21	7	F8+	25
AH1420-JM2933	7TCA084030R0507	14-20	29-33	-	7	F8+	25



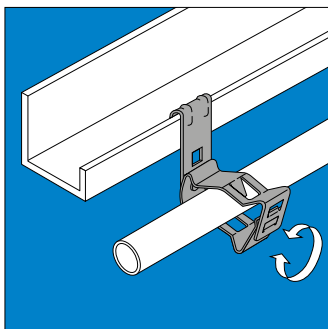
Girder clips for conduit

Part no.	ABB order code	T (mm)	Ø (mm)	PG type	Load rating (kg)	Material finishes	Quantity (pieces)
AH38-JM1825R	7TCA084030R0608	3-8	18-22	11/13.5/16	7	F8+	25
AH38-JM2229R	7TCA084030R0612	3-8	22-29	16/21	7	F8+	25
AH814-JM1825R	7TCA084030R0665	8-14	18-22	11/13.5/16	7	F8+	25
AH814-JM2229R	7TCA084030R0669	8-14	22-29	16/21	7	F8+	25
AH814-JM2933R	7TCA084030R0673	8-14	29-33	-	7	F8+	25
AH1420-JM1825R	7TCA084030R0503	14-20	18-22	11/13.5/16	7	F8+	25
AH1420-JM2229R	7TCA084030R0506	14-20	22-29	16/21	7	F8+	25
AH1420-JM2933R	7TCA084030R0509	14-20	29-33	-	7	F8+	25



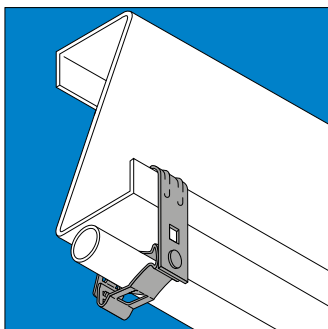
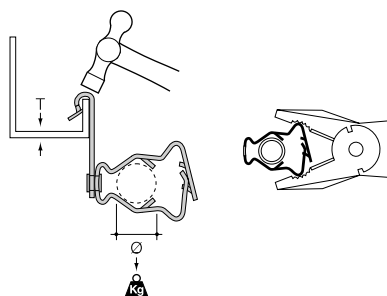


# Conduit Type AV-GM



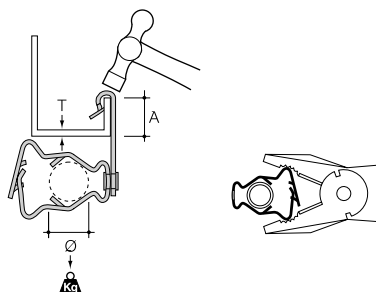
Purlin clips for conduit

Part no.	ABB order code	T (mm)	Ø (mm)	PG type	Load rating (kg)	Material finishes	Quantity (pieces)
AV155-GM1219	7TCA084030R0772	1.5-4	12-19	7/9/11	12	F8+	25
AV155-GM1926	7TCA084030R0775	1.5-4	19-26	13.5/16	12	F8+	25
AV155-GM2632	7TCA084030R0779	1.5-4	26-32	21	12	F8+	25
AV155-GM3240	7TCA084030R0782	1.5-4	32-40	29	12	F8+	25
AV155-GM4047	7TCA084030R1909	1.5-4	40-47	36	12	F8+	25
AV155-GM4757	7TCA084030R0784	1.5-4	47-57	36/42	12	F8+	25
AV57-GM1219	7TCA084030R0817	4.5-7	12-19	7/9/11	12	F8+	25
AV57-GM1926	7TCA084030R0818	4.5-7	19-26	13.5/16	12	F8+	25
AV57-GM2632	7TCA084030R0820	4.5-7	26-32	21	12	F8+	25
AV57-GM3240	7TCA084030R1910	4.5-7	32-40	29	12	F8+	25
AV57-GM4047	7TCA084030R1911	4.5-7	40-47	36	12	F8+	25
AV57-GM4757	7TCA084030R0821	4.5-7	47-57	36/42	12	F8+	25

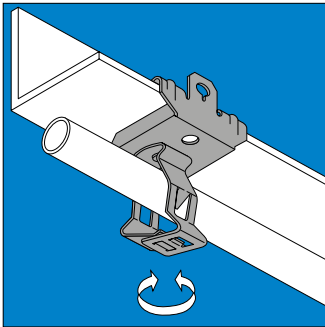


Purlin clips for conduit

Part no.	ABB order code	T (mm)	Ø (mm)	A (mm)	PG type	Load rating (kg)	Material finishes	Quantity (pieces)
AV155-GM1219R	7TCA084030R0774	1.5-4	12-19	Max 15	7/9/11	12	F8+	25
AV155-GM1926R	7TCA084030R0778	1.5-4	19-26	Max 12	13.5/16	12	F8+	25
AV155-GM2632R	7TCA084030R0781	1.5-4	26-32	Max 25	21	12	F8+	25
AV57-GM1219R	7TCA084030R1912	4.5-7	12-19	Max 15	7/9/11	12	F8+	25
AV57-GM1926R	7TCA084030R1913	4.5-7	19-26	Max 12	13.5/16	12	F8+	25
AV57-GM2632R	7TCA084030R1914	4.5-7	26-32	Max 25	21	12	F8+	25



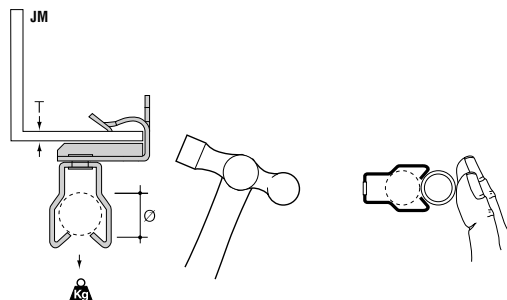
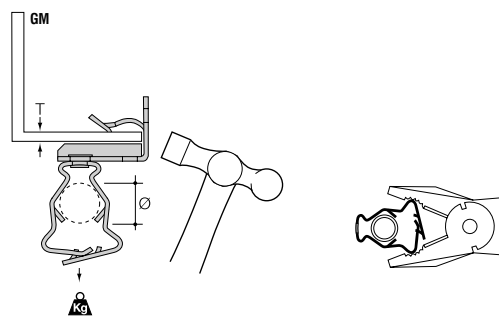
# Conduit Type EH-GM & EH-JM



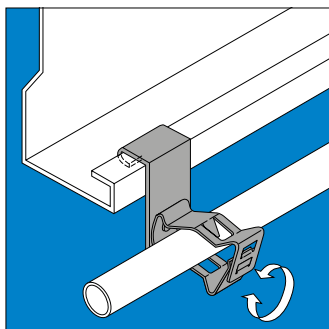
4

## Girder clips for conduit

Part no.	ABB order code	T (mm)	Ø (mm)	PG type	Load rating (kg)	Material finishes	Quantity (pieces)
EH38-GM1219	7TCA084030R1133	3-8	12-19	7/9/11	45	F8+	25
EH38-GM1926	7TCA084030R1135	3-8	19-26	13.5/16	45	F8+	25
EH38-GM2632	7TCA084030R1138	3-8	26-32	21	45	F8+	25
EH38-GM3240	7TCA084030R1140	3-8	32-40	29	45	F8+	25
EH38-GM4047	7TCA084030R1142	3-8	40-47	36	45	F8+	25
EH38-GM4757	7TCA084030R1144	3-8	47-57	36/42	45	F8+	25
EH814-GM1219	7TCA084030R1163	8-14	12-19	9/11	45	F8+	25
EH814-GM1926	7TCA084030R1165	8-14	19-26	13.5/16	45	F8+	25
EH814-GM2632	7TCA084030R1168	8-14	26-32	21	45	F8+	25
EH814-GM3240	7TCA084030R1170	8-14	32-40	29	45	F8+	25
EH814-GM4047	7TCA084030R1172	8-14	40-47	36	45	F8+	25
EH814-GM4757	7TCA084030R1174	8-14	47-57	36/42	45	F8+	25
EH1420-GM1219	7TCA084030R1105	14-20	12-19	9/11	45	F8+	25
EH1420-GM1926	7TCA084030R1107	14-20	19-26	13.5/16	45	F8+	25
EH1420-GM2632	7TCA084030R1109	14-20	26-32	21	45	F8+	25
EH1420-GM3240	7TCA084030R1111	14-20	32-40	29	45	F8+	25
EH1420-GM4047	7TCA084030R1113	14-20	40-47	36	45	F8+	25
EH1420-GM4757	7TCA084030R1115	14-20	47-57	36/42	45	F8+	25
EH38-JM1825	7TCA084030R1146	3-8	18-22	11/13.5/16	11	F8+	25
EH38-JM2229	7TCA084030R1148	3-8	22-29	16/21	11	F8+	25
EH38-JM2933	7TCA084030R1150	3-8	29-33	-	11	F8+	25
EH814-JM1825	7TCA084030R1176	8-14	18-22	11/13.5/16	11	F8+	25
EH814-JM2229	7TCA084030R1178	8-14	22-29	16/21	11	F8+	25
EH814-JM2933	7TCA084030R1180	8-14	29-33	-	11	F8+	25
EH1420-JM1825	7TCA084030R1117	14-20	18-22	11/13.5/16	11	F8+	25
EH1420-JM2229	7TCA084030R1119	14-20	22-29	16/21	11	F8+	25
EH1420-JM2933	7TCA084030R1121	14-20	29-33	-	11	F8+	25

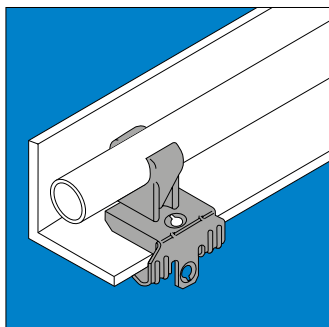
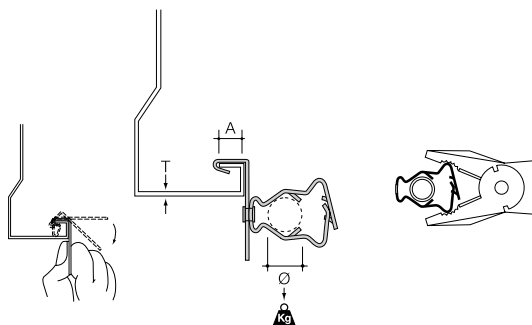


# Conduit Type SM-GM & EH-P



## Purlin clips for conduit

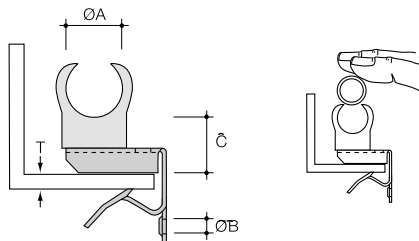
Part no.	ABB order code	T (mm)	Ø (mm)	A (mm)	PG type	Load rating (kg)	Material finishes	Quantity (pieces)
SM125-GM1219	7TCA084030R1771	≤3.0	12-19	12.5	7/9/11	12	F2	25
SM125-GM1926	7TCA084030R1773	≤3.0	19-26	12.5	13.5/16	12	F2	25
SM125-GM2632	7TCA084030R1775	≤3.0	26-32	12.5	21	12	F2	25
SM125-GM3240	7TCA084030R1922	≤3.0	32-40	12.5	29	12	F2	25
SM125-GM4047	7TCA084030R1923	≤3.0	40-47	12.5	36	12	F2	25
SM125-GM4757	7TCA084030R1924	≤3.0	47-57	12.5	36/42	12	F2	25



## Girder clips for conduit

Part no.	ABB order code	T (mm)	ØA (mm)	ØB (mm)	C (mm)	Material finishes	Quantity (pieces)
EH38-P15	7TCA084030R1152	3-8	15	M6	22	F8+ <sup>1</sup>	25
EH38-P22	7TCA084030R1154	3-8	22	M6	22	F8+ <sup>1</sup>	25
EH38-P28	7TCA084030R1157	3-8	28	M6	22	F8+ <sup>1</sup>	25
EH814-P15	7TCA084030R1182	8-14	15	M6	22	F8+ <sup>1</sup>	25
EH814-P22	7TCA084030R1184	8-14	22	M6	22	F8+ <sup>1</sup>	25
EH814-P28	7TCA084030R1187	8-14	28	M6	22	F8+ <sup>1</sup>	25
EH1420-P15	7TCA084030R1123	14-20	15	M6	22	F8+ <sup>1</sup>	25
EH1420-P22	7TCA084030R1125	14-20	22	M6	22	F8+ <sup>1</sup>	25
EH1420-P28	7TCA084030R1127	14-20	28	M6	22	F8+ <sup>1</sup>	25

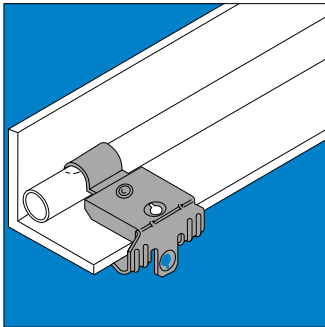
<sup>1</sup> Conduit clips are made of Polypropylene



# Conduit

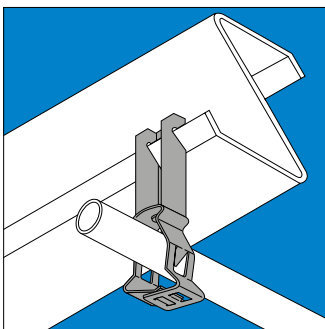
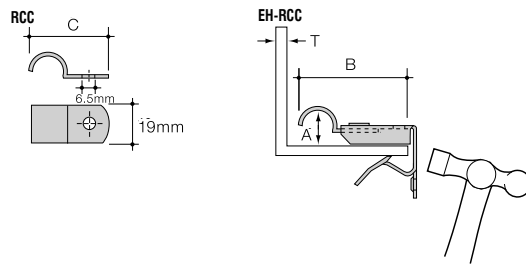
## Type EH-RCC, RCC & TM-GM

4



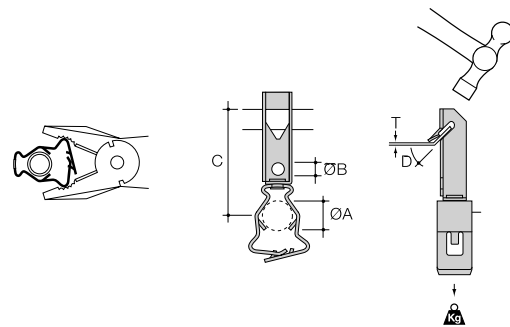
### Girder clips for conduit or cable

Part no.	ABB order code	T (mm)	A (mm)	B (mm)	C (mm)	Material finishes	Quantity (pieces)
EH38-RCC13	7TCA084030R1160	3-8	13	51	-	F8+	25
EH38-RCC15	7TCA084030R1162	3-8	15	53	-	F8+	25
EH814-RCC13	7TCA084030R1191	8-14	13	51	-	F8+	25
EH814-RCC15	7TCA084030R1193	8-14	15	53	-	F8+	25
EH1420-RCC13	7TCA084030R1129	14-20	13	51	-	F8+	25
EH1420-RCC15	7TCA084030R1131	14-20	15	53	-	F8+	25
RCC-6-FU	7TCA084220R0349	-	6	-	29	F8+	100
RCC-8	7TCA084220R0350	-	8	-	31	F8+	100
RCC-10	7TCA084220R0344	-	10	-	33	F8+	100
RCC-13	7TCA084220R0345	-	13	-	36	F8+	100
RCC-15	7TCA084220R0346	-	15	-	38	F8+	100
RCC-20	7TCA084220R0347	-	20	-	43	F8+	100
RCC-25	7TCA084220R0348	-	25	-	48	F8+	100



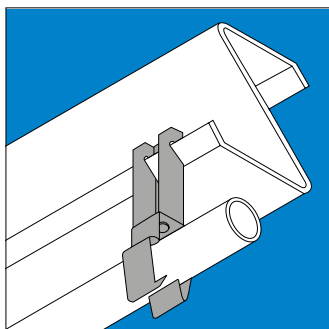
### Purlin clips for conduit

Part no.	ABB order code	T (mm)	ØA (mm)	ØB (mm)	C (mm)	D (mm)	PG type	Load rating (kg)	Material finishes	Quantity (pieces)
TM03-GM1219	7TCA084030R1824	1-3	12-19	6.5	58	45°	7/9/11	45	F8+	25
TM03-GM1926	7TCA084030R1825	1-3	19-26	6.5	59	45°	13.5/16	45	F8+	25
TM03-GM2632	7TCA084030R1826	1-3	26-32	6.5	70	45°	21	45	F8+	25
TM03-GM3240	7TCA084030R1827	1-3	32-40	6.5	74	45°	29	45	F8+	25
TM03-GM4047	7TCA084030R1828	1-3	40-47	6.5	80	45°	36	45	F8+	25
TM03-GM4757	7TCA084030R1829	1-3	47-57	6.5	80	45°	36/42	45	F8+	25



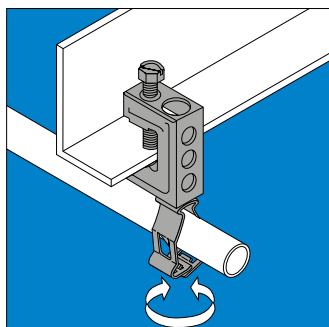
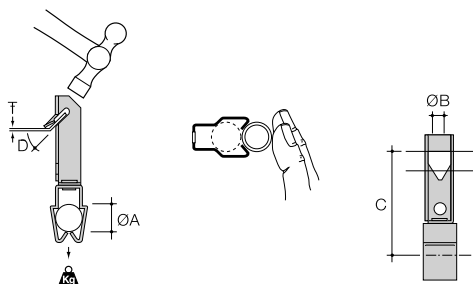
# Conduit

## Type TM-JM & FH-GM



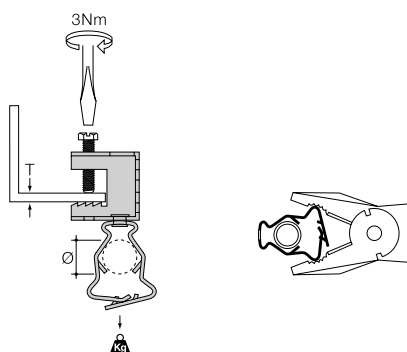
### Purlin clips for conduit

Part no.	ABB order code	T (mm)	ØA (mm)	ØB (mm)	C (mm)	D (mm)	PG type	Load rating (kg)	Material finishes	Quantity (pieces)
TM03-JM1825	7TCA084030R1830	1-3	18-22	6.5	63	45°	11/13.5/16	11	F8+	25
TM03-JM2229	7TCA084030R1831	1-3	22-29	6.5	64	45°	13.5/21	11	F8+	25
TM03-JM2933	7TCA084030R1832	1-3	29-33	6.5	69	45°	-	11	F8+	25



### Girder clamps for conduit

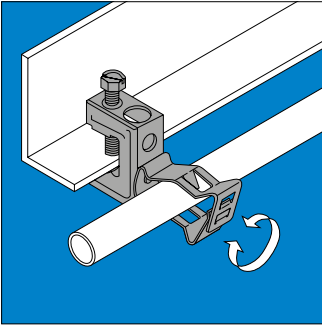
Part no.	ABB order code	T (mm)	Ø (mm)	PG type	Load rating (kg)	Material finishes	Quantity (pieces)
FH65-GM1219	7TCA084030R1251	Max 18	12-19	7/9/11	45	F8+	25
FH65-GM1926	7TCA084030R1253	Max 18	19-26	13.5/16	45	F8+	25
FH65-GM2632	7TCA084030R1254	Max 18	26-32	21	45	F8+	25
FH65-GM3240	7TCA084030R1256	Max 18	32-40	29	45	F8+	25
FH65-GM4047	7TCA084030R1258	Max 18	40-47	36	45	F8+	25
FH65-GM4757	7TCA084030R1260	Max 18	47-57	36/42	45	F8+	25



# Conduit

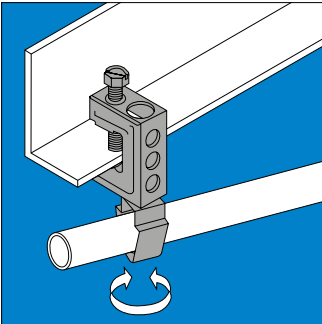
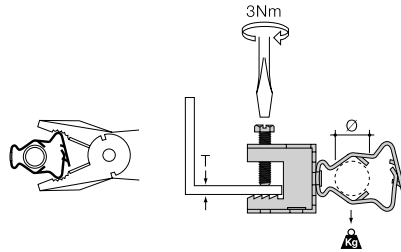
## Type FH-GM & FH-JM

4



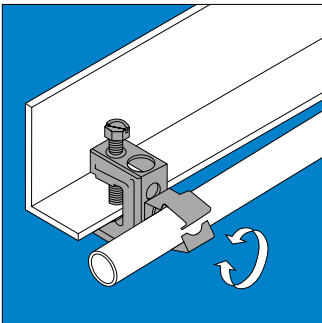
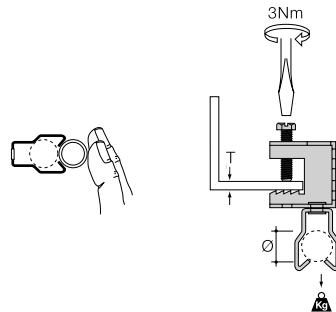
### Girder clamps for conduit

Part no.	ABB order code	T (mm)	Ø (mm)	PG type	Load rating (kg)	Material finishes	Quantity (pieces)
FH107-GM1219	7TCA084030R1234	Max 18	12-19	7/9/11	12	F8+	25
FH107-GM1926	7TCA084030R1236	Max 18	19-26	13.5/16	12	F8+	25
FH107-GM2632	7TCA084030R1238	Max 18	26-32	21	12	F8+	25
FH107-GM3240	7TCA084030R1240	Max 18	32-40	29	12	F8+	25
FH107-GM4047	7TCA084030R1242	Max 18	40-47	36	12	F8+	25
FH107-GM4757	7TCA084030R1925	Max 18	47-57	36/42	12	F8+	25



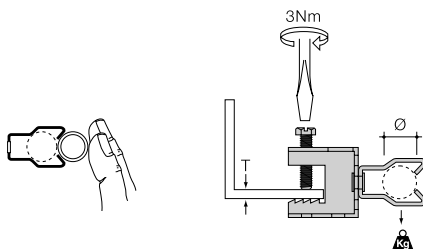
### Girder clamps for conduit

Part no.	ABB order code	T (mm)	Ø (mm)	PG type	Load rating (kg)	Material finishes	Quantity (pieces)
FH65-JM1825	7TCA084030R1262	Max 18	18-22	11/13.5/16	11	F8+	25
FH65-JM2229	7TCA084030R1264	Max 18	22-29	13.5/21	11	F8+	25
FH65-JM2933	7TCA084030R1266	Max 18	29-33	-	11	F8+	25



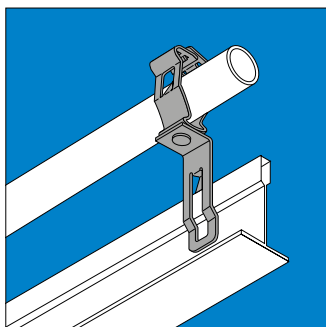
### Girder clamps for conduit

Part no.	ABB order code	T (mm)	Ø (mm)	PG type	Load rating (kg)	Material finishes	Quantity (pieces)
FH107-JM1825	7TCA084030R1245	Max 18	18-22	11/13.5/16	7	F8+	25
FH107-JM2229	7TCA084030R1247	Max 18	22-29	13.5/21	7	F8+	25
FH107-JM2933	7TCA084030R1249	Max 18	29-33	-	7	F8+	25



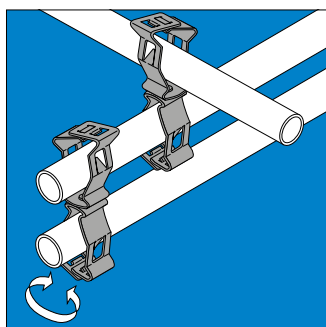
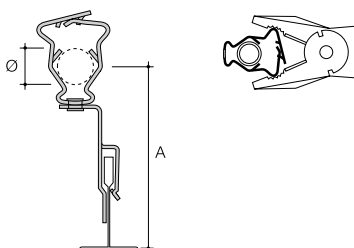
# Conduit

## Type PM-GM & GM-GM



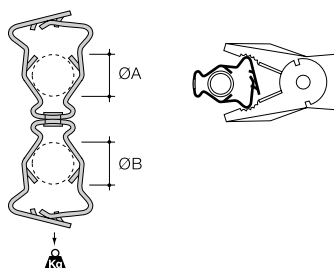
### T-bar clips for conduit

Part no.	ABB order code	Ø (mm)	A (mm)	PG type	Material finishes	Quantity (pieces)
PMB65-GM1219	7TCA084030R1685	12-19	74	7/9/11	F8+	25
PMB65-GM1926	7TCA084030R1687	19-26	75	13.5/16	F8+	25
PMB65-GM2632	7TCA084030R1908	26-32	86	21	F8+	25
PMB65-GM3240	7TCA084030R1926	32-40	90	29	F8+	25
PMB65-GM4047	7TCA084030R1927	40-47	92	36	F8+	25
PMB65-GM4757	7TCA084030R1692	47-57	90	36/42	F8+	25



### Clips for conduit to conduit

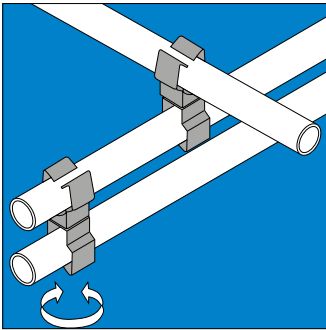
Part no.	ABB order code	ØA (mm)	ØB (mm)	PG type	Load rating (kg)	Material finishes	Quantity (pieces)
GM1219-GM1926	7TCA084030R1320	12-19	19-26	13.5/16	45	F8+	25
GM1219-GM2632	7TCA084030R1322	12-19	26-32	21	45	F8+	25
GM1219-GM3240	7TCA084030R1928	12-19	32-40	29	45	F8+	25
GM1219-GM4047	7TCA084030R1929	12-19	40-47	36	45	F8+	25
GM1219-GM4757	7TCA084030R1326	12-19	47-57	36/42	45	F8+	25
GM1926-GM1926	7TCA084030R1328	19-26	19-26	13.5/16	45	F8+	25
GM1926-GM2632	7TCA084030R1330	19-26	26-32	21	45	F8+	25
GM1926-GM3240	7TCA084030R1332	19-26	32-40	29	45	F8+	25
GM1926-GM4047	7TCA084030R1334	19-26	40-47	36	45	F8+	25
GM1926-GM4757	7TCA084030R1336	19-26	47-57	36/42	45	F8+	25
GM2632-GM2632	7TCA084030R1338	26-32	26-32	21	45	F8+	25
GM2632-GM3240	7TCA084030R1340	26-32	32-40	29	45	F8+	25
GM2632-GM4047	7TCA084030R1342	26-32	40-47	36	45	F8+	25
GM2632-GM4757	7TCA084030R1344	26-32	47-57	36/42	45	F8+	25
GM3240-GM3240	7TCA084030R1346	32-40	32-40	29	45	F8+	25
GM3240-GM4047	7TCA084030R1930	32-40	40-47	36	45	F8+	25
GM3240-GM4757	7TCA084030R1349	32-40	47-57	36/42	45	F8+	25
GM4047-GM4047	7TCA084030R1931	40-47	40-47	36	45	F8+	25
GM4047-GM4757	7TCA084030R1932	40-47	47-57	36/42	45	F8+	25
GM4757-GM4757	7TCA084030R1352	47-57	47-57	36/42	45	F8+	25



# Conduit

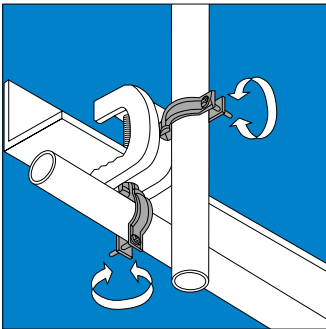
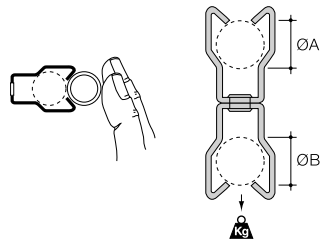
## Type JM-JM, YHR & SSYHR

4



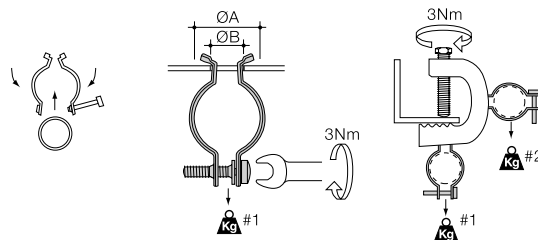
### Clips for conduit to conduit

Part no.	ABB order code	ØA (mm)	ØB (mm)	PG type	Load rating (kg)	Material finishes	Quantity (pieces)
JM1825-JM1825	7TCA084030R1463	18-22	18-22	11/13.5/16	11	F8+	25
JM1825-JM2229	7TCA084030R1465	18-22	22-29	16/21	11	F8+	25
JM1825-JM2933	7TCA084030R1467	18-22	29-33	—	11	F8+	25
JM2229-JM2229	7TCA084030R1468	22-29	22-29	16/21	11	F8+	25
JM2229-JM2933	7TCA084030R1470	22-29	29-33	—	11	F8+	25
JM2933-JM2933	7TCA084030R1472	29-33	29-33	—	11	F8+	25



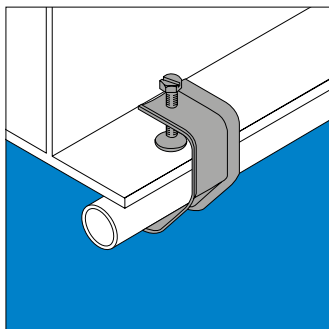
### Girder clamps for conduit

Part no.	ABB order code	ØA (mm)	ØB (mm)	PG type	Load rating #1 (kg)	Load rating #2 (kg)	Material finishes	Quantity (pieces)
YHR-1618	7TCA084220R0564	16-18	14	11	40	15	F2	100
YHR-1821	7TCA084220R0566	18-21	14	13.5/16	40	15	F2	100
YHR-2427	7TCA084220R0568	24-27	14	21	40	15	F2	100
YHR-3034	7TCA084220R0570	30-34	14	29	40	15	F2	50
YHR-3438	7TCA084220R0572	34-38	14	29	40	15	F2	50
YHR-4751	7TCA084220R0574	47-51	14	36	40	15	F2	50
YHR-5963	7TCA084220R0576	59-63	14	48	40	15	F2	25
SSYHR-1618	7TCA084220R0461	16-18	14	11	40	15	F3	100
SSYHR-1821	7TCA084220R0462	18-21	14	13.5/16	40	15	F3	100
SSYHR-2427	7TCA084220R0464	24-27	14	21	40	15	F3	100
SSYHR-3034	7TCA084220R0466	30-34	14	29	40	15	F3	50
SSYHR-3438	7TCA084220R0468	34-38	14	29	40	15	F3	50
SSYHR-4751	7TCA084220R0470	47-51	14	36	40	15	F3	50
SSYHR-5963	7TCA084220R0472	59-63	14	48	40	15	F3	25



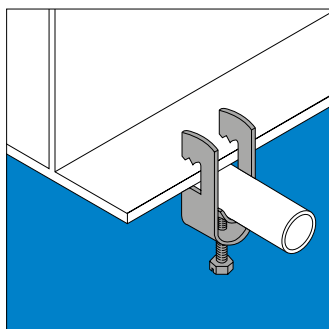
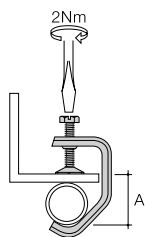


# Conduit Type ECH & RA



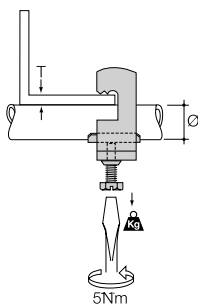
Girder clips for conduit or pipe

Part no.	ABB order code	A (mm)	Material finishes	Quantity (pieces)
ECH-33	7TCA084220R0140	33	F2	25
ECH-37	7TCA084220R0141	37	F2	25
ECH-41	7TCA084220R0143	41	F2	25
ECH-45	7TCA084220R0144	45	F2	25
ECH-49	7TCA084220R0146	49	F2	25
ECH-53	7TCA084220R0148	53	F2	25



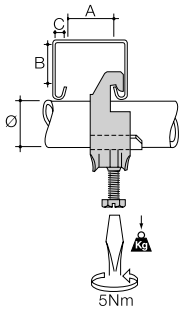
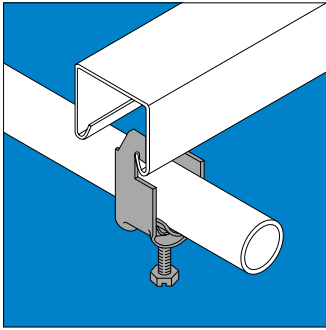
Girder clips for conduit or pipe

Part no.	ABB order code	T (mm)	Ø (mm)	Load rating (kg)	Material finishes	Quantity (pieces)
RA-0612	7TCA084220R0328	Max 12	6-12	60	F2	25
RA-1216	7TCA084220R0329	Max 12	12-16	60	F2	25
RA-1418	7TCA084220R0330	Max 12	14-18	60	F2	25
RA-1822	7TCA084220R0331	Max 12	18-22	60	F2	25
RA-2226	7TCA084220R0332	Max 12	22-26	80	F2	25
RA-2630	7TCA084220R0333	Max 12	26-30	80	F2	25
RA-3034	7TCA084220R0334	Max 12	30-34	80	F2	25
RA-3438	7TCA084220R0335	Max 12	34-38	100	F2	25
RA-3842	7TCA084220R0336	Max 12	38-42	100	F2	25
RA-4246	7TCA084220R0337	Max 12	42-46	100	F2	25
RA-5054	7TCA084220R0338	Max 12	50-54	100	F2	25
RA-5458	7TCA084220R0339	Max 12	54-58	100	F2	25



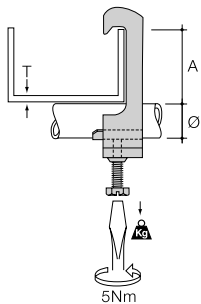
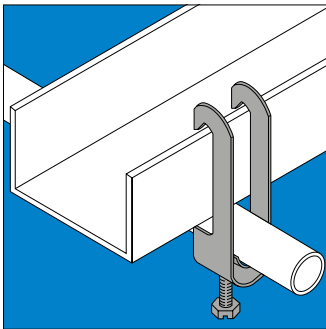
# Conduit Type S & H

4



## Girder clamps for conduit or pipe

Part no.	ABB order code	A (mm)	B (mm)	C (mm)	Ø (mm)	Load rating (kg)	Material finishes	Quantity (pieces)
S-0612	7TCA084220R0580	Min 18	>10	10	6-12	60	F2	25
S-1014	7TCA084220R0581	Min 18	>10	10	10-14	60	F2	25
S-1216	7TCA084220R0352	Min 18	>10	10	12-16	60	F2	25
S-1418	7TCA084220R0353	Min 18	>10	10	14-18	60	F2	25
S-1822	7TCA084220R0355	Min 18	>10	10	18-22	60	F2	25
S-2226	7TCA084220R0358	Min 18	>10	10	22-26	80	F2	25
S-2630	7TCA084220R0360	Min 18	>10	10	26-30	80	F2	25
S-3034	7TCA084220R0361	Min 18	>10	10	30-34	80	F2	25
S-3438	7TCA084220R0362	Min 18	>10	10	34-38	100	F2	25
S-3842	7TCA084220R0363	Min 18	>10	10	38-42	100	F2	25
S-4246	7TCA084220R0364	Min 18	>10	10	42-46	100	F2	25
S-4650	7TCA084220R0365	Min 18	>10	10	46-50	100	F2	25
S-5054	7TCA084220R0366	Min 18	>10	10	50-54	100	F2	25
S-5458	7TCA084220R0367	Min 18	>10	10	54-58	100	F2	25



## Girder clamps for conduit or pipe

Part no.	ABB order code	T (mm)	Ø (mm)	A (mm)	Load rating (kg)	Material finishes	Quantity (pieces)
H-0612	7TCA084220R0165	Max 6	6-12	Max 40	80	F2	25
H-1822	7TCA084220R0166	Max 6	18-22	Max 40	80	F2	25
H-2226	7TCA084220R0167	Max 6	22-26	Max 40	80	F2	25
H-2630	7TCA084220R0168	Max 6	26-30	Max 40	80	F2	25
H-3034	7TCA084220R0169	Max 6	30-34	Max 40	80	F2	25
H-3842	7TCA084220R0170	Max 6	38-42	Max 40	100	F2	25
H-5864	7TCA084220R0171	Max 6	58-64	Max 40	100	F2	25

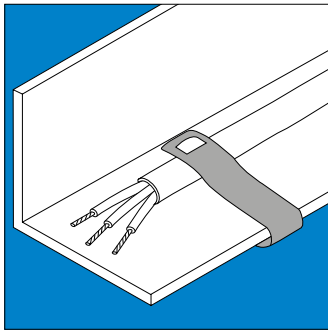
# Cable

## Cable

Type LM - Girder clips for single cable	5/2
Type GH - Girder clips for multiple cables	5/2
Type AH-B - Girder clips for multiple cables	5/2
Type ECS, ECM & ECL - Girder clips for single cables	5/3
Type ECA - Girder clips for single cable	5/3
Type AH-CT - Girder clips, mounting base & cable tie for cable bundle	5/4
Type AH-M & AH-MR - Girder clips & mounting base for cable bundles	5/4
Type AH-CT - Girder clips and mounting base for cable bundles	5/5
Type AV-CT - Purlin clips, mounting base & cable tie for cable bundles	5/5
Type AV-M & AV-MR - Purlin clips & mounting base for cable bundles	5/6
Type SM-M & SM-MR - Purlin clips & mounting base for cable bundles	5/6

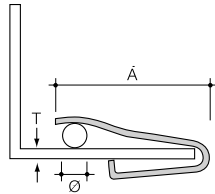
# Cable

## Type LM, GH & AH-B

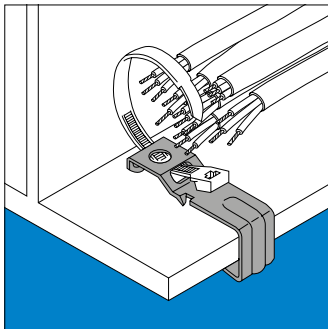


### Girder clips for single cable

Part no.	ABB order code	T (mm)	Ø (mm)	A (mm)	Material finishes	Quantity (pieces)
LM-38	7TCA084030R1492	3-5	6-16	46	F8+	100
LM-38	7TCA084030R1492	5-8	3-10	46	F8+	100
LM-811	7TCA084030R1495	8-9	7-20	46	F8+	100
LM-811	7TCA084030R1495	10-11	7-12	46	F8+	100



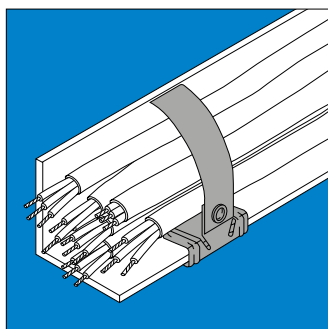
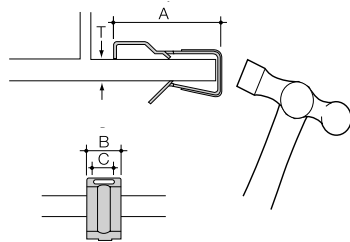
5



### Girder clips for multiple cables

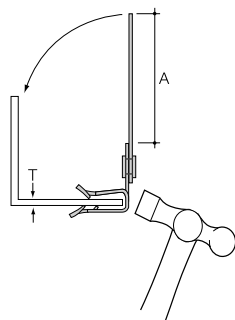
Part no.	ABB order code	T (mm)	A (mm)	B (mm)	C (mm)	Material finishes	Quantity (pieces)
GH-310	7TCA084030R1298	3-10	52	16	10	F8+	100
GH-1018	7TCA084030R1294	10-18	52	16	10	F8+	100

Cable tie not included. Ty-Rap® offers a range of cable ties suitable for use with E-Klips products, please contact your local distributor for further information.



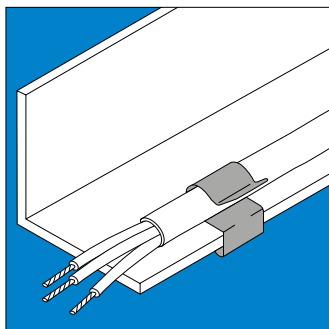
### Girder clips for multiple cables

Part no.	ABB order code	T (mm)	A (mm)	Material finishes	Quantity (pieces)
AH153-B	7TCA084030R0527	1.5-3	65	F8+	25
AH38-B	7TCA084030R0574	3-8	58	F8+	25
AH814-B	7TCA084030R0634	8-14	58	F8+	25
AH1420-B	7TCA084030R0472	14-20	58	F8+	25



# Cable

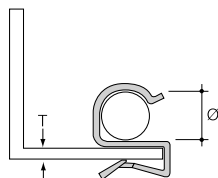
## Type ECS, ECM, ECL & ECA



### Girder clips for single cables

Part no.	ABB order code	T (mm)	Ø (mm)	Material finishes	Quantity (pieces)
ECS-4555	7TCA084030R1073	2-4	4.5-5.5	F8+	100
ECS-67	7TCA084030R1075	2-4	6-7	F8+	100
ECS-89	7TCA084030R1080	2-4	8-9	F8+	100
ECS-1011	7TCA084030R1049	2-4	10-11	F8+	100
ECS-1214	7TCA084030R1054	2-4	12-14	F8+	100
ECS-1519	7TCA084030R1059	2-4	15-18	F8+	100
ECS-2024	7TCA084030R1064	2-4	19-24	F8+	100
ECS-2532	7TCA084030R1069	2-4	25-32	F8+	100
ECM-4555	7TCA084030R1037	4-7	4.5-5.5	F8+	100
ECM-67	7TCA084030R1039	4-7	6-7	F8+	100
ECM-89	7TCA084030R1044	4-7	8-9	F8+	100
ECM-1011	7TCA084030R1015	4-7	10-11	F8+	100
ECM-1214	7TCA084030R1019	4-7	12-14	F8+	100
ECM-1519	7TCA084030R1024	4-7	15-18	F8+	100
ECM-2024	7TCA084030R1029	4-7	19-24	F8+	100
ECM-2532	7TCA084030R1034	4-7	25-32	F8+	100
ECL-4555	7TCA084030R1004	8-12	4.5-5.5	F8+	100
ECL-67	7TCA084030R1006	8-12	6-7	F8+	100
ECL-89	7TCA084030R1010	8-12	8-9	F8+	100
ECL-1011	7TCA084030R0980	8-12	10-11	F8+	100
ECL-1214	7TCA084030R0985	8-12	12-14	F8+	100
ECL-1519	7TCA084030R0990	8-12	15-18	F8+	100
ECL-2024	7TCA084030R0995	8-12	19-24	F8+	100
ECL-2532	7TCA084030R1000	8-12	25-32	F8+	100

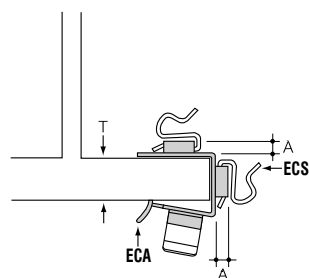
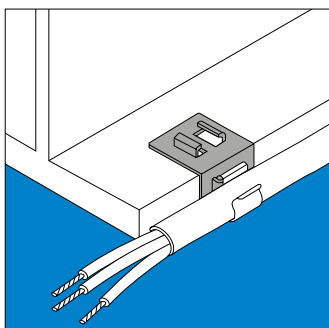
5



### Girder clips for single cable

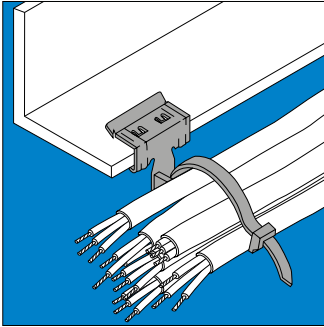
Part no.	ABB order code	T (mm)	A (mm)	Material finishes	Quantity (pieces)
ECA-1215	7TCA084030R0971	12-15	2-4	F8+	100
ECA-1520	7TCA084030R0975	15-20	2-4	F8+	100

For use with ECS cable clips only, sold separately.



# Cable

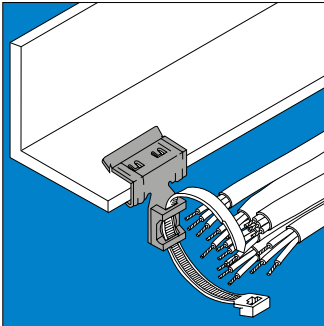
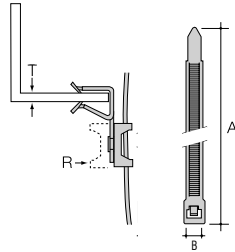
## Type AH-CT, AH-M & AH-MR



### Girder clips, mounting base & cable tie for cable bundle

Part no.	ABB order code	T (mm)	A (mm)	B (mm)	Material finishes	Quantity (pieces)
AH153-CT2	7TCA084030R0537	1.5-3	200	7.6	F8+ <sup>1</sup>	25
AH153-CT2R	7TCA084030R0540	1.5-3	200	7.6	F8+ <sup>1</sup>	25
AH153-CT4	7TCA084030R0542	1.5-3	370	7.6	F8+ <sup>1</sup>	25
AH38-CT2	7TCA084030R0586	3-8	200	7.6	F8+ <sup>1</sup>	25
AH38-CT2R	7TCA084030R0588	3-8	200	7.6	F8+ <sup>1</sup>	25
AH38-CT4	7TCA084030R0590	3-8	370	7.6	F8+ <sup>1</sup>	25
AH814-CT2	7TCA084030R0644	8-14	200	7.6	F8+ <sup>1</sup>	25
AH814-CT2R	7TCA084030R0646	8-14	200	7.6	F8+ <sup>1</sup>	25
AH814-CT4	7TCA084030R0648	8-14	370	7.6	F8+ <sup>1</sup>	25
AH1420-CT2	7TCA084030R0481	14-20	200	7.6	F8+ <sup>1</sup>	25
AH1420-CT2R	7TCA084030R0483	14-20	200	7.6	F8+ <sup>1</sup>	25
AH1420-CT4	7TCA084030R0485	14-20	370	7.6	F8+ <sup>1</sup>	25

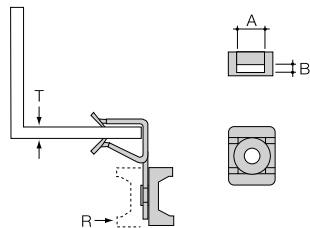
<sup>1</sup> Mounting bases and cable ties are made of Polyamide 6.6



### Girder clips & mounting base for cable bundles

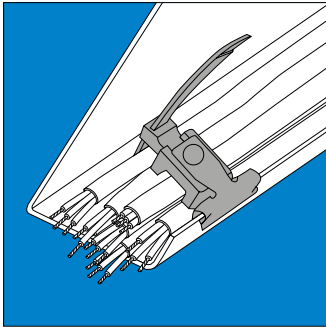
Part no.	ABB order code	T (mm)	A (mm)	B (mm)	Material finishes	Quantity (pieces)
AH153-M	7TCA084030R0556	1.5-3	9	3.5	F8+	25
AH153-MR	7TCA084030R0559	1.5-3	9	3.5	F8+	25
AH38-M	7TCA084030R0616	3-8	9	3.5	F8+	25
AH38-MR	7TCA084030R0619	3-8	9	3.5	F8+	25
AH814-M	7TCA084030R0675	8-14	9	3.5	F8+	25
AH814-MR	7TCA084030R0679	8-14	9	3.5	F8+	25
AH1420-M	7TCA084030R0510	14-20	9	3.5	F8+	25
AH1420-MR	7TCA084030R0513	14-20	9	3.5	F8+	25

Cable tie not included. Ty-Rap® offers a range of cable ties suitable for use with E-Klips products, please contact your local distributor for further information.



# Cable

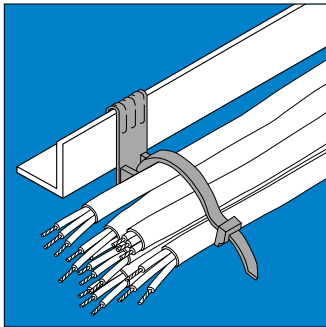
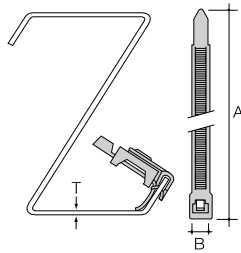
## Type AH-CT & AV-CT



### Girder clips & mounting base for cable bundles

Part no.	ABB order code	T (mm)	A (mm)	B (mm)	Material finishes	Quantity (pieces)
AH153-CT2R	7TCA084030R0540	1.5-3	200	7.6	F8+ <sup>1</sup>	25

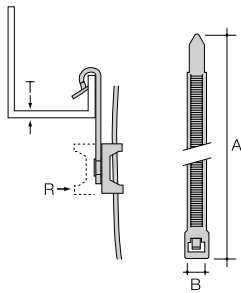
<sup>1</sup> Mounting bases and cable ties are made of Polyamide 6.6



### Purlin clips, mounting base & cable tie for cable bundles

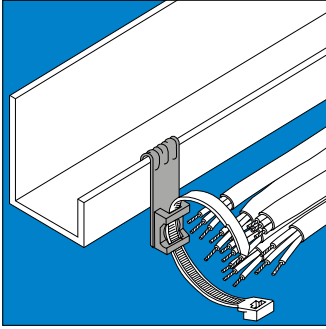
Part no.	ABB order code	T (mm)	A (mm)	B (mm)	Material finishes	Quantity (pieces)
AV155-CT2	7TCA084030R0766	1.5-4	200	7.6	F8+ <sup>1</sup>	25
AV155-CT2R	7TCA084030R0768	1.5-4	200	7.6	F8+ <sup>1</sup>	25
AV155-CT4	7TCA084030R0770	1.5-4	370	7.6	F8+ <sup>1</sup>	25
AV57-CT2	7TCA084030R0813	4.5-7	200	7.6	F8+ <sup>1</sup>	25
AV57-CT2R	7TCA084030R1921	4.5-7	200	7.6	F8+ <sup>1</sup>	25
AV57-CT4	7TCA084030R1920	4.5-7	370	7.6	F8+ <sup>1</sup>	25

<sup>1</sup> Mounting bases and cable ties are made of Polyamide 6.6



# Cable

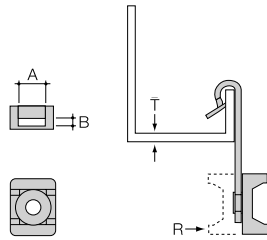
## Type AV-M, AV-MR, SM-M & SM-MR



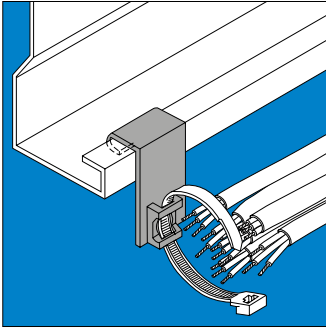
### Purlin clips & mounting base for cable bundles

Part no.	ABB order code	T (mm)	A (mm)	Ø (mm)	Material finishes	Quantity (pieces)
AV155-M	7TCA084030R0788	1.5-4	9	3.5	F8+	25
AV155-MR	7TCA084030R0791	1.5-4	9	3.5	F8+	25
AV57-M	7TCA084030R0825	4.5-7	9	3.5	F8+	25
AV57-MR	7TCA084030R1919	4.5-7	9	3.5	F8+	25

Cable tie not included. Ty-Rap® offers a range of cable ties suitable for use with E-Klips products, please contact your local distributor for further information.



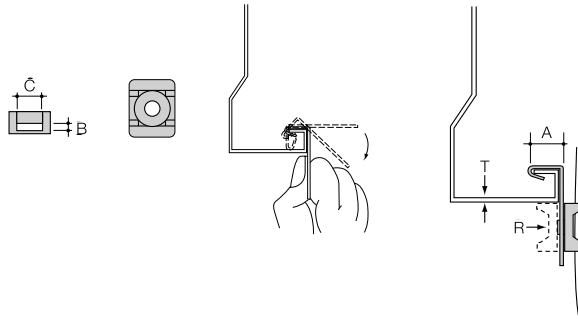
5



### Purlin clips & mounting base for cable bundles

Part no.	ABB order code	T (mm)	A (mm)	B (mm)	C (mm)	Material finishes	Quantity (pieces)
SM125-M	7TCA084030R1779	≤3.0	9	3.5	12.5	F2	25
SM125-MR	7TCA084030R1918	≤3.0	9	3.5	12.5	F2	25

Cable tie not included. Ty-Rap® offers a range of cable ties suitable for use with E-Klips products, please contact your local distributor for further information.



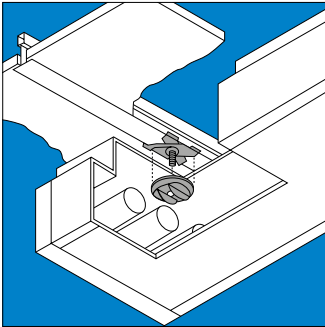


# Ceiling

## Ceiling

Type JHX & JH - Suspended ceiling clips	6/2
Type LH - Suspended ceiling clips	6/2
Type KH - Suspended ceiling clip	6/2
Type PMB & PM - T-bar clips for conduit box	6/3

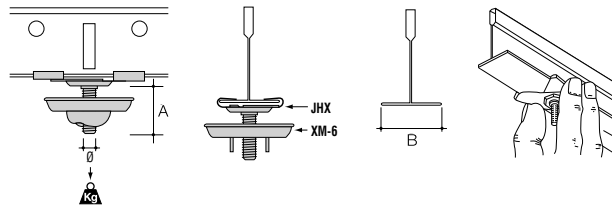
# Ceiling Type JHX, JH, LH & KH



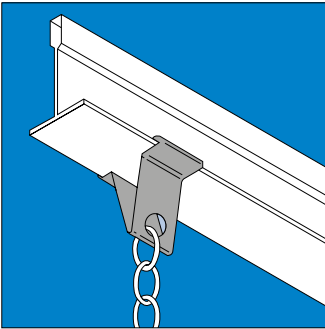
## Suspended ceiling clips

Part no.	ABB order code	Ø (mm)	A (mm)	B (mm)	Load rating (kg)	Material finishes	Quantity (pieces)
JHX-16SW	7TCA084030R1445	M6	16	25	9	F4	100
JHX-16S	7TCA084030R1441	M6	16	25	22	F8+	100
JHX-38S	7TCA084030R1446	M6	38	25	22	F8+	100
JH-15SW	7TCA084220R0181	M6	15	15	22	F4	100

JH-15SW in White



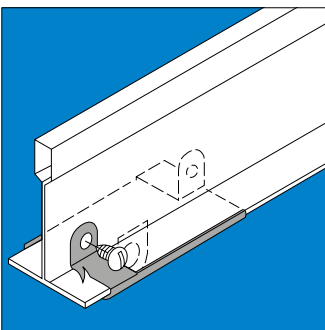
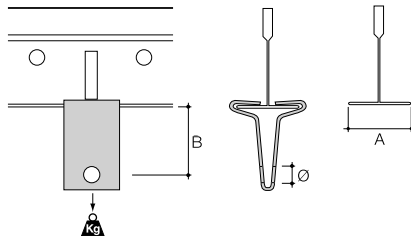
6



## Suspended ceiling clips

Part no.	ABB order code	Ø (mm)	A (mm)	B (mm)	Load rating (kg)	Material finishes	Quantity (pieces)
LH-25	7TCA084030R1485	7	25	20	18	F1	100
LH-25W	7TCA084030R1490	7	25	20	18	F4	100

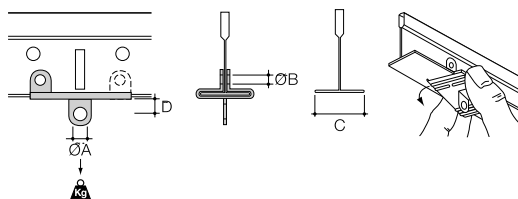
LH-25W in White



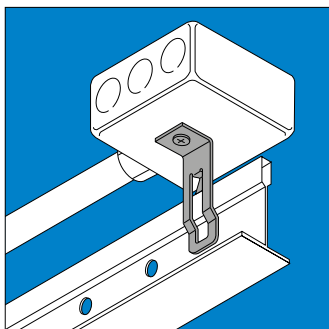
## Suspended ceiling clip

Part no.	ABB order code	ØA (mm)	ØB (mm)	C (mm)	D (mm)	Load rating (kg)	Material finishes	Quantity (pieces)
KH-6W	7TCA084030R1478	6	3	25	7	22	F4	100

KH-6W in White

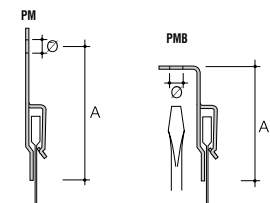


# Ceiling Type PMB & PM



## T-bar clips for conduit box

Part no.	ABB order code	Ø (mm)	A (mm)	Material finishes	Quantity (pieces)
PMB-6T	7TCA084030R1683	M6	59	F8+	100
PMB-65	7TCA084030R1681	6.5	59	F8+	100
PM-6T	7TCA084030R1668	M6	71	F8+	100
PM-65	7TCA084030R1666	6.5	71	F8+	100





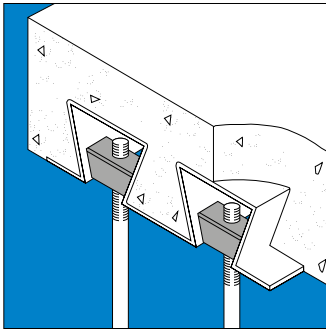
# Decking

## Decking

Type WN - Wedge nuts	7/2
Type NH - Decking clips for chain & wire	7/2
Type NH-AM & NH-YM - Decking clips for threaded rod	7/2
Type NH-BM - Decking clips for rod	7/3
Type DWH - Decking clips for threaded rod	7/3
Type DMH - Decking clips for threaded rod	7/3
Type DH - Decking clips for conduit box	7/4
Type DH-M - Decking clips for threaded rod	7/4
Type DH-GM - Decking clips for conduit	7/5
Type DH & DHN - Decking clips for threaded rod	7/5

# Decking

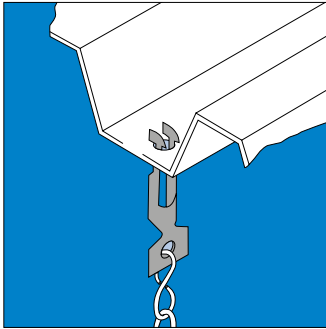
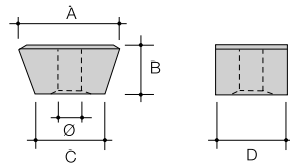
## Type WN, NH, NH-AM & NH-YM



### Wedge nuts

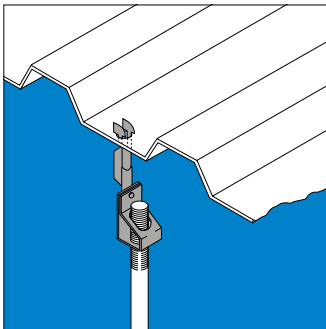
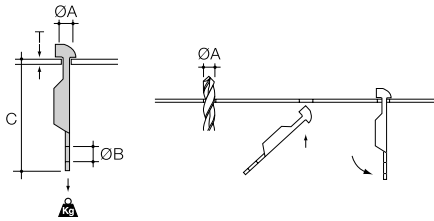
Part no.	ABB order code	Ø (mm)	A (mm)	B (mm)	C (mm)	D (mm)	Load rating (kg)	Material finishes	Quantity (pieces)
WN6	7TCA084220R0547	M6	25	13	19	12	20	F1	100
WN8	7TCA084220R0549	M8	25	13	19	12	36	F1	100
WN10	7TCA084220R0543	M10	25	13	19	12	58	F1	100

We are unable to provide any information about the load capacities of Holorib decking and the behaviour of wedge nuts in the slots of 'V' profiles when loads are applied.



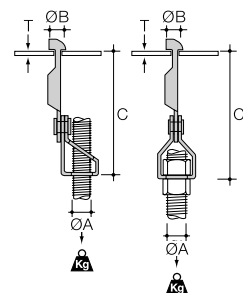
### Decking clips for chain & wire

Part no.	ABB order code	T (mm)	ØA (mm)	ØB (mm)	C (mm)	Load rating (kg)	Material finishes	Quantity (pieces)
NH-083	7TCA084030R1521	0.8-2	7	6.5	45	45	F8+	100
		2-3	7	6.5	45	90	F8+	100



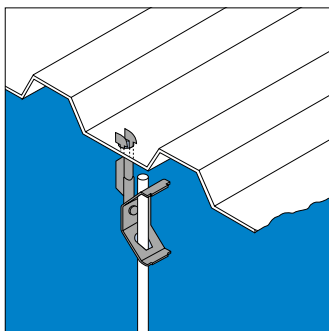
### Decking clips for threaded rod

Part no.	ABB order code	T (mm)	ØA (mm)	ØB (mm)	C (mm)	Load rating (kg)	Material finishes	Quantity (pieces)
NH083-AM127	7TCA084030R1525	0.8-2	12.7	7	74	45	F8+	25
		2-3	12.7	7	74	68	F8+	25
NH083-AM6T	7TCA084030R1527	0.8-2	M6	7	74	45	F8+	25
		2-3	M6	7	74	68	F8+	25
NH083-AM8T	7TCA084030R1529	0.8-2	M8	7	74	45	F8+	25
		2-3	M8	7	74	68	F8+	25
NH083-AM10T	7TCA084030R1523	0.8-2	M10	7	74	45	F8+	25
		2-3	M10	7	74	68	F8+	25
NH083-YM127	7TCA084030R1537	0.8-2	12.7	7	76	45	F8+	25
		2-3	12.7	7	76	90	F8+	25



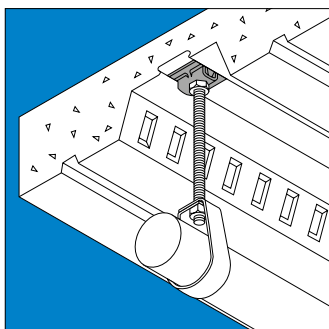
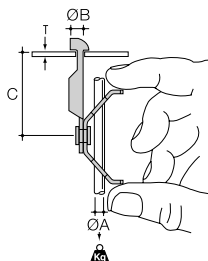
# Decking

## Type NH-BM, DWH & DMH



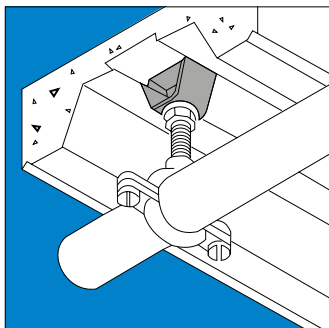
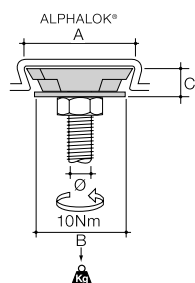
### Decking clips for rod

Part no.	ABB order code	T (mm)	ØA (mm)	ØB (mm)	C (mm)	Load rating (kg)	Material finishes	Quantity (pieces)
NH083-BM6	7TCA084030R1534	0.8-2	6	7	45	45	F8+	25
		2-3	6	7	45	90	F8+	
NH083-BM8	7TCA084030R1535	0.8-2	8	7	45	45	F8+	25
		2-3	8	7	45	90	F8+	
NH083-BM10	7TCA084030R1531	0.8-2	10	7	45	45	F8+	25
		2-3	10	7	45	90	F8+	



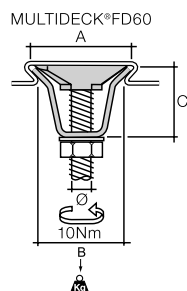
### Decking clips for threaded rod

Part no.	ABB order code	A (mm)	B (mm)	C (mm)	Ø (mm)	Load rating (kg)	Material finishes	Quantity (pieces)
DWH-6T	7TCA084220R0137	50	40	15	M6	100	F1	25
DWH-8T	7TCA084220R0138	50	40	15	M8	100	F1	25
DWH-10T	7TCA084220R0136	50	40	15	M10	100	F1	25

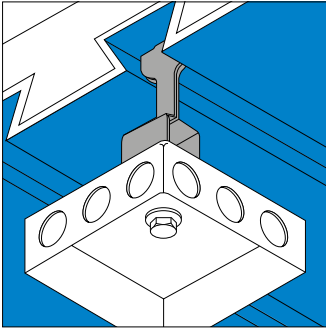


### Decking clips for threaded rod

Part no.	ABB order code	A (mm)	B (mm)	C (mm)	Ø (mm)	Load rating (kg)	Material finishes	Quantity (pieces)
DMH-6T	7TCA084220R0132	50	40	34	M6	150	F1	25
DMH-8T	7TCA084220R0133	50	40	34	M8	150	F1	25
DMH-10T	7TCA084220R0131	50	40	34	M10	150	F1	25

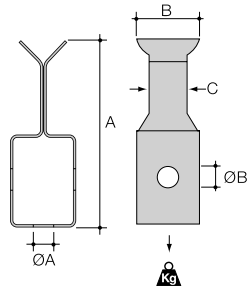


# Decking Type DH & DH-M

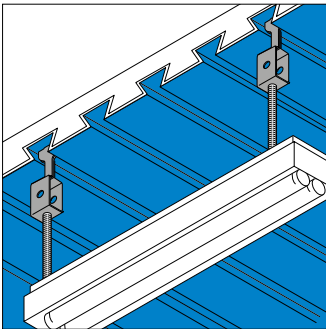


## Decking clips for conduit box

Part no.	ABB order code	ØA (mm)	ØB (mm)	A (mm)	B (mm)	C (mm)	Load rating (kg)	Material finishes	Quantity (pieces)
DH1217-105	7TCA084030R0935	10.5	6.5	60	20	11.5	60	F3	100
DH1217-65	7TCA084030R0936	6.5	6.5	60	20	11.5	60	F3	100
DH1722-105	7TCA084030R0946	10.5	6.5	60	25	16.5	60	F3	100
DH1722-65	7TCA084030R0947	6.5	6.5	60	25	16.5	60	F3	100

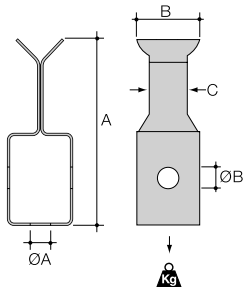


7



## Decking clips for threaded rod

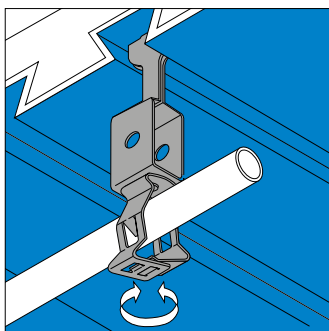
Part no.	ABB order code	ØA (mm)	ØB (mm)	A (mm)	B (mm)	C (mm)	Load rating (kg)	Material finishes	Quantity (pieces)
DH1217-M8	7TCA084030R0945	M8	6.5	60	20	11.5	60	F3	100
DH1217-M10	7TCA084030R0943	M10	6.5	60	20	11.5	60	F3	100
DH1722-M8	7TCA084030R0956	M8	6.5	60	25	16.5	60	F3	100
DH1722-M10	7TCA084030R0954	M10	6.5	60	25	16.5	60	F3	100





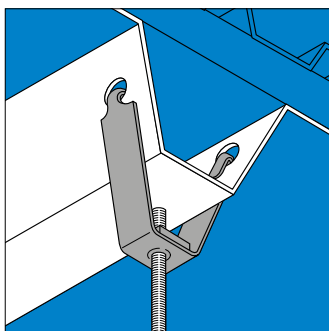
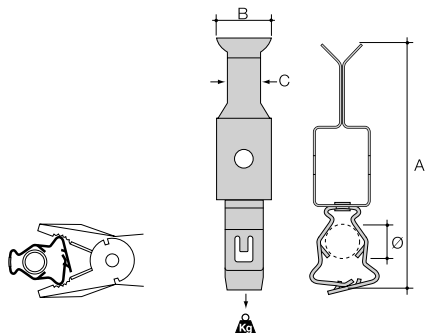
# Decking

## Type DH-GM, DH & DHN



### Decking clips for conduit

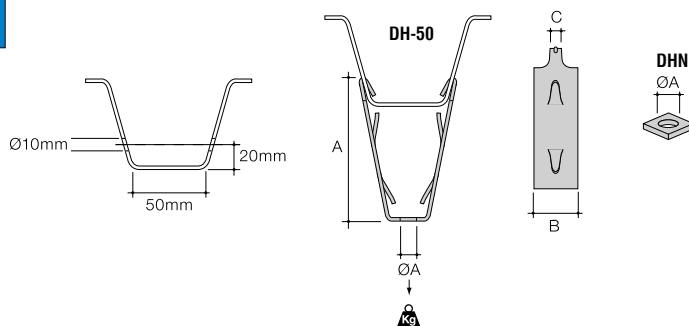
Part no.	ABB order code	Ø (mm)	A (mm)	B (mm)	C (mm)	PG type	Load rating (kg)	Material finishes	Quantity (pieces)
DH1217-GM1219	7TCA084030R0937	12-19	104	20	11.5	7/9/11	45	F3	25
DH1217-GM1926	7TCA084030R0938	19-26	104	20	11.5	13.5/16	45	F3	25
DH1217-GM2632	7TCA084030R0939	26-32	115	20	11.5	21	45	F3	25
DH1217-GM3240	7TCA084030R0940	32-40	128	20	11.5	29	45	F3	25
DH1217-GM4047	7TCA084030R0941	40-47	139	20	11.5	36	45	F3	25
DH1217-GM4757	7TCA084030R0942	47-57	147	20	11.5	36/42	45	F3	25
DH1722-GM1219	7TCA084030R0948	12-19	104	25	16.5	7/9/11	45	F3	25
DH1722-GM1926	7TCA084030R0949	19-26	104	25	16.5	13.5/16	45	F3	25
DH1722-GM2632	7TCA084030R0950	26-32	115	25	16.5	21	45	F3	25
DH1722-GM3240	7TCA084030R0951	32-40	128	25	16.5	29	45	F3	25
DH1722-GM4047	7TCA084030R0952	40-47	139	25	16.5	36	45	F3	25
DH1722-GM4757	7TCA084030R0953	47-57	147	25	16.5	36/42	45	F3	25



### Decking clips for threaded rod

Part no.	ABB order code	ØA (mm)	A (mm)	B (mm)	C (mm)	Load rating (kg)	Material finishes	Quantity (pieces)
DH-50	7TCA084030R0931	10.5	100	30	8	75	F8+	50
DHN-6T*	7TCA084030R0958	M6	-	-	-	75	F7	50
DHN-8T*	7TCA084030R0959	M8	-	-	-	75	F7	50
DHN-10T*	7TCA084030R0957	M10	-	-	-	75	F7	50

\* Nut only



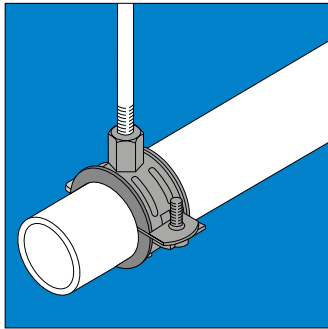


# Pipe

## Pipe

Type PCH - Lined pipe hangers for threaded rod	8/2
Type PCS - Lined pipe hangers for threaded rod	8/2
Type PCSD - Lined pipe hangers for threaded rod	8/3
Type PB - Unlined pipe hangers for threaded rod	8/3
Type PBD - Unlined pipe hangers for threaded rod	8/4
Type PH - Filbow pipe hangers for threaded rod	8/4

# Pipe Type PCH & PCS

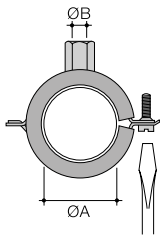


## Lined pipe hangers for threaded rod

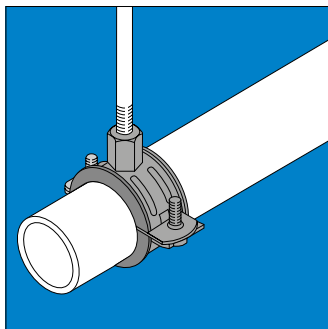
Part no.	ABB order code	ØA (mm)	ØB (mm)	Material finishes	Quantity (pieces)
PCH-1418	7TCA084220R0245	14-18	M8/M10	F1	50
PCH-1618	7TCA084220R0248	16-18	M8/M10	F1	50
PCH-2022	7TCA084220R0250	20-22	M8/M10	F1	50
PCH-2528	7TCA084220R0252	25-28	M8/M10	F1	50
PCH-3335	7TCA084220R0254	33-35	M8/M10	F1	50
PCH-4244	7TCA084220R0256	42-44	M8/M10	F1	25
PCH-4850	7TCA084220R0258	48-50	M8/M10	F1	25
PCH-5254	7TCA084220R0260	52-54	M8/M10	F1	25

### Approvals

**DIN4109**



8

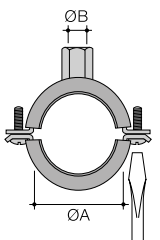


## Lined pipe hangers for threaded rod

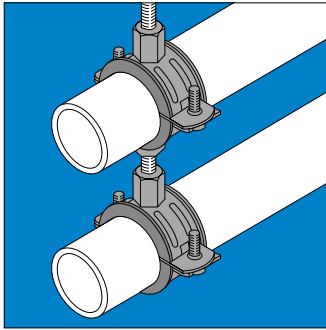
Part no.	ABB order code	ØA (mm)	ØB (mm)	Material finishes	Quantity (pieces)
PCS-1519	7TCA084220R0270	15-19	M8/M10	F1	50
PCS-2025	7TCA084220R0273	20-25	M8/M10	F1	50
PCS-2630	7TCA084220R0276	26-30	M8/M10	F1	50
PCS-3236	7TCA084220R0278	32-36	M8/M10	F1	50
PCS-3843	7TCA084220R0279	38-43	M8/M10	F1	25
PCS-4751	7TCA084220R0280	47-51	M8/M10	F1	25
PCS-5358	7TCA084220R0281	53-58	M8/M10	F1	25
PCS-6064	7TCA084220R0282	60-64	M8/M10	F1	25
PCS-6872	7TCA084220R0283	68-72	M8/M10	F1	25
PCS-7580	7TCA084220R0284	75-80	M8/M10	F1	25
PCS-8186	7TCA084220R0285	81-86	M8/M10	F1	25
PCS-8792	7TCA084220R0286	87-92	M8/M10	F1	25
PCS-99105	7TCA084220R0287	99-105	M8/M10	F1	25
PCS-107112	7TCA084220R0264	107-112	M8/M10	F1	25
PCS-113118	7TCA084220R0265	113-118	M8/M10	F1	25
PCS-125130	7TCA084220R0266	125-130	M8/M10	F1	25
PCS-132137	7TCA084220R0267	132-137	M8/M10	F1	25
PCS-138142	7TCA084220R0268	138-142	M8/M10	F1	25
PCS-148152	7TCA084220R0269	148-152	M8/M10	F1	25
PCS-159166	7TCA084220R0271	159-166	M8/M10	F1	25
PCS-200212	7TCA084220R0272	200-212	M8/M10	F1	25
PCS-215220	7TCA084220R0274	215-220	M8/M10	F1	25
PCS-248252	7TCA084220R0275	248-252	M8/M10	F1	25

### Approvals

**DIN4109**

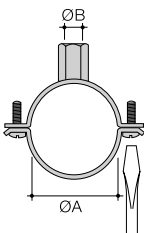
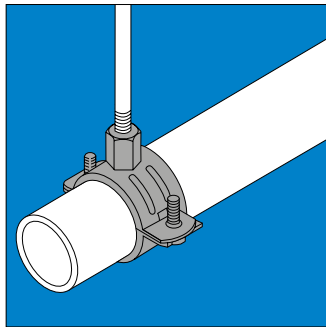
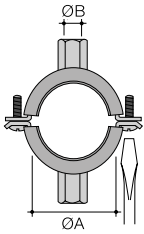


# Pipe Type PCSD & PB



## Approvals

**DIN4109**



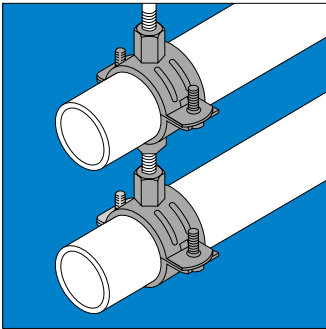
## Lined pipe hangers for threaded rod

Part no.	ABB order code	ØA (mm)	ØB (mm)	Material finishes	Quantity (pieces)
PCSD-1518	7TCA084220R0290	15-18	M8/M10	F1	50
PCSD-2024	7TCA084220R0292	20-24	M8/M10	F1	50
PCSD-2630	7TCA084220R0293	26-30	M8/M10	F1	50
PCSD-3236	7TCA084220R0294	32-36	M8/M10	F1	50
PCSD-3842	7TCA084220R0295	38-42	M8/M10	F1	25
PCSD-4750	7TCA084220R0296	47-50	M8/M10	F1	25
PCSD-6064	7TCA084220R0297	60-64	M8/M10	F1	25
PCSD-7580	7TCA084220R0298	75-80	M8/M10	F1	25
PCSD-100106	7TCA084220R0288	100-106	M8/M10	F1	25
PCSD-133140	7TCA084220R0289	133-140	M8/M10	F1	25
PCSD-159165	7TCA084220R0291	159-165	M8/M10	F1	25

## Unlined pipe hangers for threaded rod

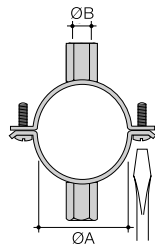
Part no.	ABB order code	ØA (mm)	ØB (mm)	Material finishes	Quantity (pieces)
PB-1519	7TCA084220R0225	15-19	M8/M10	F1	50
PB-2025	7TCA084220R0228	20-25	M8/M10	F1	50
PB-2630	7TCA084220R0230	26-30	M8/M10	F1	50
PB-3236	7TCA084220R0231	32-36	M8/M10	F1	50
PB-3843	7TCA084220R0232	38-43	M8/M10	F1	25
PB-4751	7TCA084220R0233	47-51	M8/M10	F1	25
PB-5358	7TCA084220R0234	53-58	M8/M10	F1	25
PB-6064	7TCA084220R0235	60-64	M8/M10	F1	25
PB-6872	7TCA084220R0237	68-72	M8/M10	F1	25
PB-7580	7TCA084220R0238	75-80	M8/M10	F1	25
PB-8186	7TCA084220R0239	81-86	M8/M10	F1	25
PB-8792	7TCA084220R0240	87-92	M8/M10	F1	25
PB-99105	7TCA084220R0241	99-105	M8/M10	F1	25
PB-107112	7TCA084220R0220	107-112	M8/M10	F1	25
PB-113118	7TCA084220R0221	113-118	M8/M10	F1	25
PB-125130	7TCA084220R0222	125-130	M8/M10	F1	25
PB-138142	7TCA084220R0223	138-142	M8/M10	F1	25
PB-148152	7TCA084220R0224	148-152	M8/M10	F1	25
PB-159166	7TCA084220R0226	159-166	M8/M10	F1	25
PB-200212	7TCA084220R0227	200-212	M8/M10	F1	25
PB-215220	7TCA084220R0229	215-220	M8/M10	F1	25

# Pipe Type PBD & PH

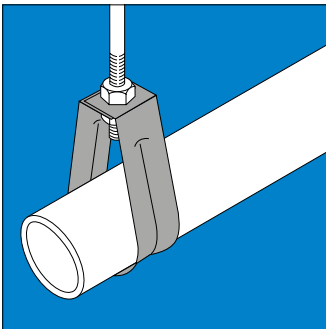


## Unlined pipe hangers for threaded rod

Part no.	ABB order code	ØA (mm)	ØB (mm)	Material finishes	Quantity (pieces)
PBD-2024	7TCA084220R0242	20-24	M8/M10	F1	50



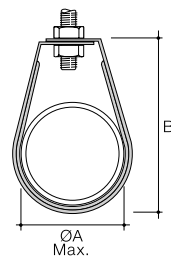
8



## Filbow pipe hangers for threaded rod

Part no.	ABB order code	ØA (mm)	B (mm)	Material finishes	Quantity (pieces)
PH-20-FU	7TCA084220R0308	20	64	F2	25
PH-25-FU	7TCA084220R0310	25	72	F2	25
PH-32	7TCA084220R0313	32	83	F2	25
PH-40	7TCA084220R0315	40	96	F2	25
PH-50	7TCA084220R0317	50	113	F2	25
PH-65	7TCA084220R0319	65	132	F2	25
PH-80	7TCA084220R0321	80	156	F2	25
PH-100	7TCA084220R0302	100	215	F2	10
PH-125	7TCA084220R0304	125	242	F2	10
PH-150	7TCA084220R0306	150	279	F2	10

Approvals

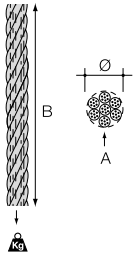
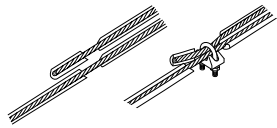
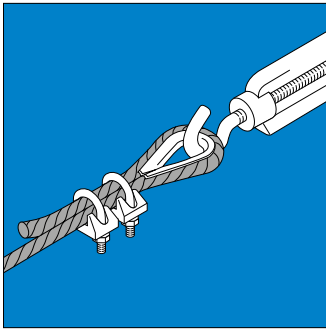


# Suspension

## Suspension

Type CW, SSCW, CW-PVC - Catenary wire	9/2
Type HW - Suspension plate	9/2
Type CWG & SSCWG - Bull-dog grips	9/3
Type WT & SSWT - Thimbles	9/3
Type CWT & SSCWT - Tensioner for catenary wire	9/3
Type LS - Suspension strap	9/4
Type SP, SG & SS - Perforated banding	9/4
Type MM & NM - Suspension clip for perforated band	9/5
Type MM-AH & NM-AH - Girder clips for perforated band	9/5
Type MM-AV & NM-AV - Purlin clips for perforated band	9/5
Type V - Clip for chain hanging	9/6
Type KK, KG, KF, KN, NG, NF & SH - Metal chain & hooks	9/6

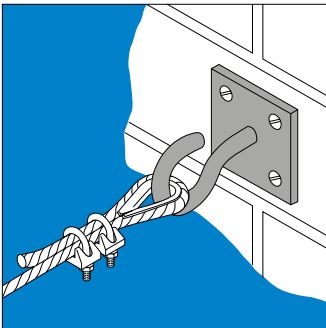
# Suspension Type CW, SSCW & HW



## Catenary wire

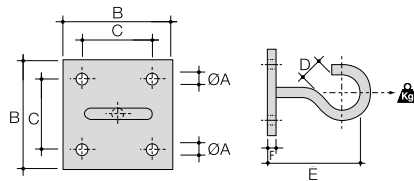
Part no.	ABB order code	Ø (mm)	A (mm)	B (m)	Load rating (kg)	Material finishes	Quantity (pieces)
CW100-2	7TCA084220R0086	2	7x7	100	80	F2	1
CW30-3	7TCA084220R0100	3	7x7	30	190	F2	1
CW50-3	7TCA084220R0114	3	7x7	50	190	F2	1
CW100-3	7TCA084220R0088	3	7x7	100	190	F2	1
CW30-4	7TCA084220R0106	4	7x7	30	350	F2	1
CW50-4	7TCA084220R0118	4	7x7	50	350	F2	1
CW100-4	7TCA084220R0092	4	7x7	100	350	F2	1
CW30-6	7TCA084220R0109	6	7x7	30	760	F2	1
CW50-6	7TCA084220R0121	6	7x7	50	760	F2	1
CW100-6	7TCA084220R0096	6	7x7	100	760	F2	1
SSCW100-2	7TCA084220R0420	2	7x7	100	80	F3	1
SSCW30-3	7TCA084220R0426	3	7x7	30	190	F3	1
SSCW50-3	7TCA084220R0432	3	7x7	50	190	F3	1
SSCW100-3	7TCA084220R0422	3	7x7	100	190	F3	1
SSCW30-4	7TCA084220R0428	4	7x7	30	350	F3	1
SSCW50-4	7TCA084220R0433	4	7x7	50	350	F3	1
SSCW100-4	7TCA084220R0423	4	7x7	100	350	F3	1
SSCW30-6	7TCA084220R0430	6	7x7	30	760	F3	1
SSCW50-6	7TCA084220R0435	6	7x7	50	760	F3	1
SSCW100-6	7TCA084220R0425	6	7x7	100	760	F3	1
CW30-3PVC	7TCA084220R0103	3	7x7	30	190	F2 + PVC	1
CW50-3PVC	7TCA084220R0116	3	7x7	50	190	F2 + PVC	1
CW100-3PVC	7TCA084220R0090	3	7x7	100	190	F2 + PVC	1
CW30-4PVC	7TCA084220R0107	4	7x7	30	350	F2 + PVC	1
CW50-4PVC	7TCA084220R0120	4	7x7	50	350	F2 + PVC	1
CW100-4PVC	7TCA084220R0094	4	7x7	100	350	F2 + PVC	1
CW30-6PVC	7TCA084220R0111	6	7x7	30	760	F2 + PVC	1
CW50-6PVC	7TCA084220R0123	6	7x7	50	760	F2 + PVC	1
CW100-6PVC	7TCA084220R0098	6	7x7	50	760	F2 + PVC	1

9



## Suspension plate

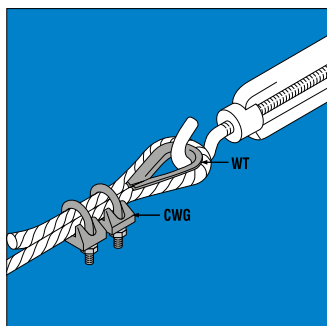
Part no.	ABB order code	ØA (mm)	B (mm)	C (mm)	D (mm)	E (mm)	F (mm)	Load rating (kg)	Material finishes	Quantity (pieces)
HW50	7TCA084220R0176	5.5	50	32	8	55	5	25	F2	10





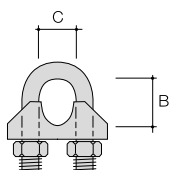
# Suspension

## Type CWG, SSCWG, WT, SSWT, CWT & SSCWT



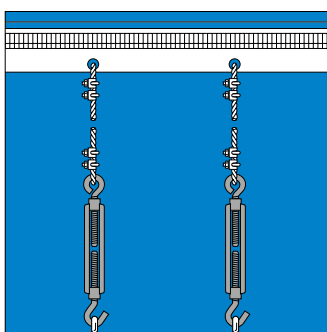
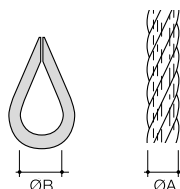
### Bull-dog grips

Part no.	ABB order code	ØA (mm)	B (mm)	C (m)	Material finishes	Quantity (pieces)
CWG-23	7TCA084220R0125	2-3	Max 9	6.5	F2	25
CWG-4	7TCA084220R0126	4	Max 12	7	F2	25
CWG-6	7TCA084220R0127	6	Max 18	8	F2	25
SSCWG-2	7TCA084220R0437	2	Max 9	6.5	F3	1
SSCWG-3	7TCA084220R0439	3	Max 9	6.5	F3	1
SSCWG-4	7TCA084220R0441	4	Max 12	7	F3	1
SSCWG-6	7TCA084220R0443	6	Max 18	8	F3	1



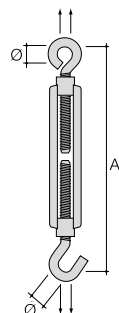
### Thimbles

Part no.	ABB order code	ØA (mm)	ØB (mm)	Material finishes	Quantity (pieces)
WT-23	7TCA084220R0551	2-3	10	F2	25
WT-34	7TCA084220R0553	3-4	14	F2	25
WT-6-FU	7TCA084220R0555	6	16	F2	25
SSWT-2	7TCA084220R0449	2	10	F3	1
SSWT-34	7TCA084220R0451	3-4	14	F3	1
SSWT-6	7TCA084220R0453	6	16	F3	1

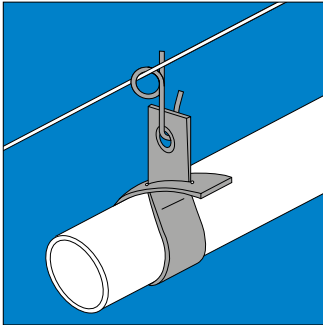


### Tensioner for catenary wire

Part no.	ABB order code	Ø (mm)	A (mm)	Material finishes	Quantity (pieces)
CWT-23	7TCA084220R0128	10	155-245	F2	10
CWT-46	7TCA084220R0129	12	230-325	F2	10
SSCWT-23	7TCA084220R0445	10	155-245	F3	10
SSCWT-46	7TCA084220R0447	12	230-325	F3	10

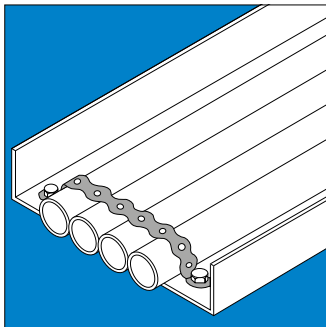
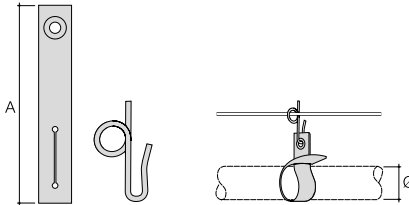


# Suspension LS, SP, SG & SS



## Suspension strap

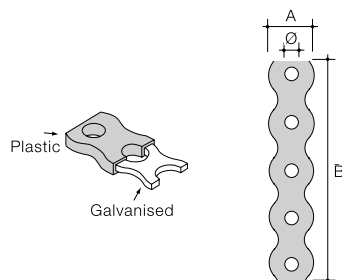
Part no.	ABB order code	A (mm)	Ø (mm)	Material finishes	Quantity (pieces)
LS-32	7TCA084220R0210	152	Max 32	F6	10
LS-38	7TCA084220R0211	178	Max 38	F6	10
LS-48	7TCA084220R0212	203	Max 48	F6	10
LS-54	7TCA084220R0213	228	Max 54	F6	10
LS-60	7TCA084220R0214	254	Max 60	F6	10
LS-72	7TCA084220R0215	305	Max 72	F6	10



## Perforated banding

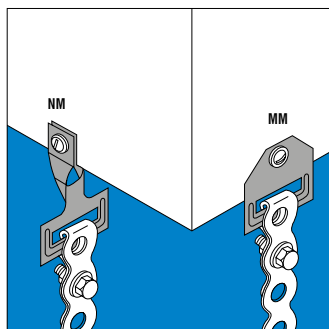
Part no.	ABB order code	Colour	Ø (mm)	A (mm)	B (mm)	Load rating (kg)	Material finishes	Quantity (pieces)
<b>Plastic*</b>								
SP-13B	7TCA084220R0385	Black	4	13	10	37	F7	1
SP-19B	7TCA084220R0390	Black	6.5	19	10	42	F7	1
SP-27B	7TCA084220R0399	Black	7.5	27	10	90	F7	1
SP-13O	7TCA084220R0387	Orange	4	13	10	37	F7	1
SP-19O	7TCA084220R0393	Orange	6.5	19	10	42	F7	1
SP-13R-FU	7TCA084220R0384	Red	4	13	10	37	F7	1
SP-19R	7TCA084220R0395	Red	6.5	19	10	42	F7	1
SP-13W	7TCA084220R0388	White	4	13	10	37	F7	1
SP-19W	7TCA084220R0397	White	6.5	19	10	42	F7	1
<b>Galvanised</b>								
SG-12-FU	7TCA084220R0377	-	5	12	10	37	F2	1
SG-18	7TCA084220R0374	-	7	18	10	42	F2	1
SG-26	7TCA084220R0375	-	8	26	10	90	F2	1
<b>Stainless Steel</b>								
SS-12	7TCA084220R0415	-	5	12	10	43	F3	1
SS-18-FU	7TCA084220R0417	-	7	18	10	48	F3	1
SS-26	7TCA084220R0418	-	8	26	10	100	F3	1

\*Material: Plascoat PPA 571



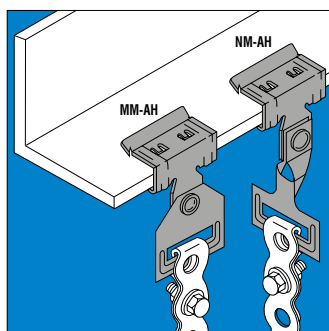
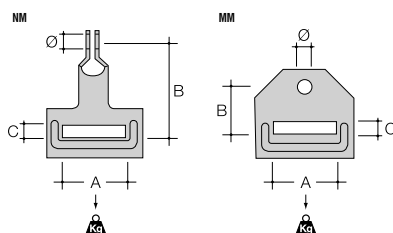
# Suspension

## Type MM, NM, MM-AH, NM-AH, MM-AV & NM-AV



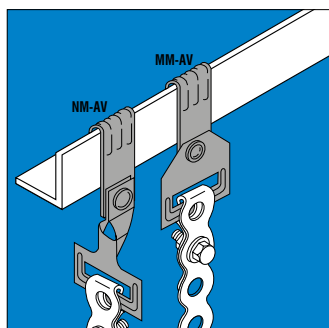
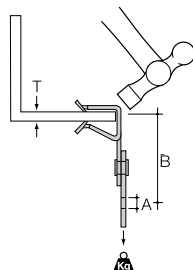
### Suspension clip for perforated band

Part no.	ABB order code	Ø (mm)	A (mm)	B (mm)	C (mm)	Load rating (kg)	Material finishes	Quantity (pieces)
MM-65	7TCA084030R1504	6.5	28	20	6.3	90	F8+	100
NM-65	7TCA084030R1605	6.5	28	42	6.3	90	F8+	100



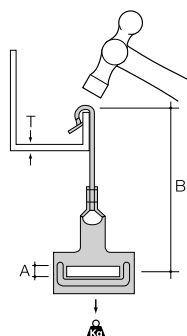
### Girder clips for perforated band

Part no.	ABB order code	T (mm)	A (mm)	B (mm)	Load rating (kg)	Material finishes	Quantity (pieces)
MM65-AH153	7TCA084030R1509	1.5-3	6.3	36	72	F8+	25
MM65-AH38	7TCA084030R1511	3-8	6.3	38	90	F8+	25
MM65-AH814	7TCA084030R1513	8-14	6.3	46	90	F8+	25
MM65-AH1420	7TCA084030R1507	14-20	6.3	58	90	F8+	25
NM65-AH153	7TCA084030R1608	1.5-3	6.3	58	72	F8+	25
NM65-AH38	7TCA084030R1610	3-8	6.3	60	90	F8+	25
NM65-AH814	7TCA084030R1612	8-14	6.3	68	90	F8+	25
NM65-AH1420	7TCA084030R1917	14-20	6.3	80	90	F8+	25



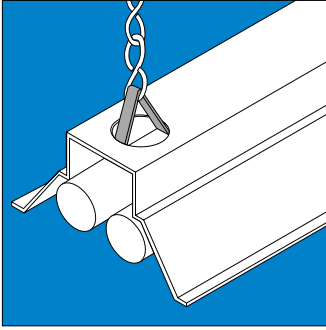
### Purlin clips for perforated band

Part no.	ABB order code	T (mm)	A (mm)	B (mm)	Load rating (kg)	Material finishes	Quantity (pieces)
MM65-AV155	7TCA084030R1515	1.5-4	6.3	62	72	F8+	25
MM65-AV57	7TCA084030R1916	4.5-7	6.3	62	72	F8+	25
NM65-AV155	7TCA084030R1614	1.5-4	6.3	84	72	F8+	25
NM65-AV57	7TCA084030R1933	4.5-7	6.3	84	72	F8+	25



# Suspension

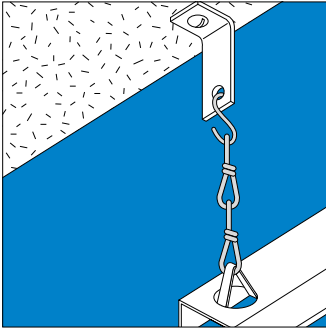
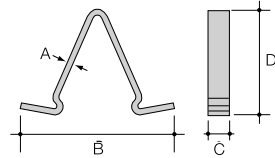
## Type V, KK, KG, KF, KN, NG, NF & SH



### Clip for chain hanging

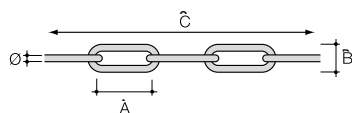
Part no.	ABB order code	A (mm)	B (mm)	C (mm)	D (mm)	Load rating (kg)	Material finishes	Quantity (pieces)
V-1	7TCA084030R1847	1	50.8	8	35	8	F1	100

Recommended hole diameter 25 mm

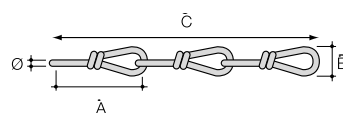


### Metal chain & hooks

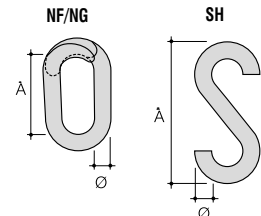
Part no.	ABB order code	Ø	A (mm)	B (mm)	C (mm)	Load rating (kg)	Material finishes	Quantity (pieces)
KK-20	7TCA084220R0193	1.8	25	8	30	70	F1	1
KK-30	7TCA084220R0195	2.8	39	12.5	30	190	F1	1
KG-3	7TCA084220R0189	3	26	12	30	45	F1	1
KG-4	7TCA084220R0191	4	32	16	30	80	F1	1
KF-3	7TCA084220R0185	3	26	12	30	45	F2	1
KF-4	7TCA084220R0187	4	32	16	30	80	F2	1
KN-2	7TCA084220R0197	2	22	8	30	50	F3	1
KN-3	7TCA084220R0199	3	26	12	30	120	F3	1
NG-4	7TCA084220R0218	4	20	-	-	-	F1	100
NF-4	7TCA084220R0216	4	20	-	-	-	F2	100
SH-4	7TCA084220R0378	4	35	-	-	20	F1	100
SH-5	7TCA084220R0380	5	45	-	-	30	F1	100



KG - Electroplate DIN 5685  
KF - Hot Dip Galvanised DIN 5685



KN - Stainless Steel DIN 763  
KK - Electroplate DIN 5686



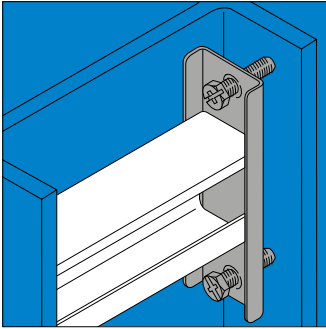
# Miscellaneous

## Miscellaneous

Type CMP - Fixing bracket	10/2
Type XM - Speed nut	10/2
Type UM - Brackets	10/2
Type A - Fixing for chain & wire	10/3

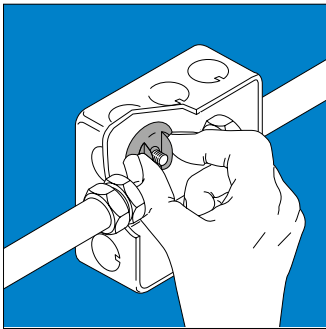
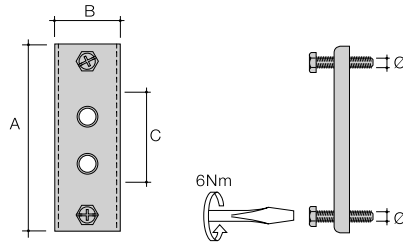
# Miscellaneous

## Type CMP, XM & UM



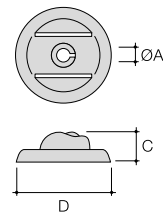
### Fixing bracket

Part no.	ABB order code	Ø (mm)	A (mm)	B (mm)	C (mm)	Load rating (kg)	Material finishes	Quantity (Pairs per box *)
CMP-400	7TCA084220R0074	M8 x 25	90	45	35	45	F2	20

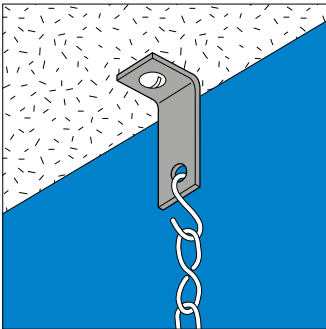


### Speed nut

Part no.	ABB order code	ØA (mm)	C (mm)	D (mm)	Material finishes	Quantity (pieces)
XM-6	7TCA084030R1863	M6	10.0	32	F8+	100

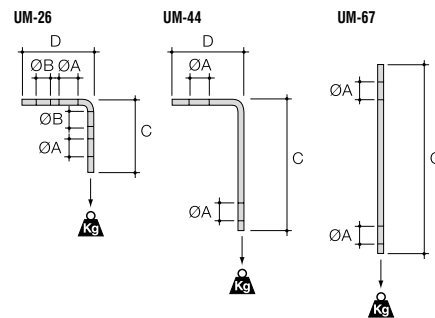


10

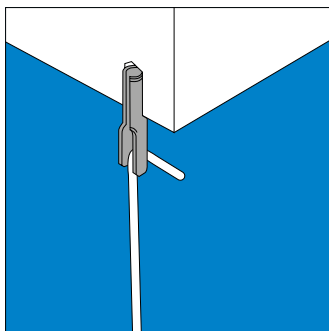


### Brackets

Part no.	ABB order code	ØA (mm)	ØB (mm)	C (mm)	D (mm)	Load rating (kg)	Material finishes	Quantity (pieces)
UM-26	7TCA084030R1834	6.5	4.6	26	26	90	F2	100
UM-44	7TCA084030R1835	6.5	-	44	26	90	F8+	100
UM-67	7TCA084030R1837	6.5	-	67	-	90	F8+	100

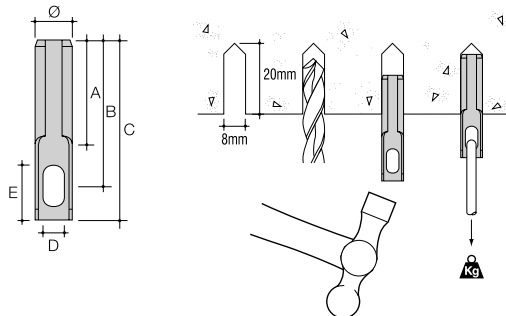


# Miscellaneous Type A



## Fixing for chain and wire

Part no.	ABB order code	Ø (mm)	A (mm)	B (mm)	C (mm)	D (mm)	E (mm)	Load rating (kg)	Material finishes	Quantity (pieces)
A100	7TCA084030R0439	8.75	25	34	42	5	10	40	F1	100







# Merchandiser unit

## Merchandiser unit

Unit & products	11/2
Re-ordering part numbers	11/3

# Merchandiser unit

## Unit & products



### Unit & products

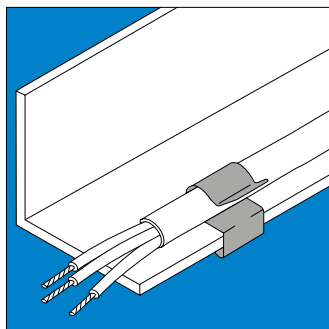
Part no.	ABB order code	Description
Eklipsunit	7TCA084030R1199	Complete merchandiser unit

### Products included with unit

Part no.	ABB order code	Quantity (number of packages)	Page
AH38-GM1926	7TCA084030R0595	2	4/3
AH814-GM1926	7TCA084030R0652	2	4/3
AV155-AM6T	7TCA084030R0750	2	3/7
AV155-AM10T	7TCA084030R0742	2	3/7
FC-11	7TCA084220R0153	2	3/2
PPAH38	7TCA084030R1695	4	2/2
PPAH814	7TCA084030R1696	4	2/2
PPAV155	7TCA084030R1699	4	2/2
PPFH65	7TCA084030R1720	4	2/2
PPJHX16S	7TCA084030R1721	4	6/2
PPECS89	7TCA084030R1714	4	5/3
PPECS1011	7TCA084030R1710	4	5/3
PPECS1214	7TCA084030R1711	4	5/3
PPECS1519	7TCA084030R1712	4	5/3
PPECS2024	7TCA084030R1713	4	5/3
PPECM89	7TCA084030R1709	4	5/3
PPECM1011	7TCA084030R1705	4	5/3
PPECM1214	7TCA084030R1706	4	5/3
PPECM1519	7TCA084030R1707	4	5/3
PPECM2024	7TCA084030R1708	4	5/3
PPECL89	7TCA084030R1704	4	5/3
PPECL1011	7TCA084030R1700	4	5/3
PPECL1214	7TCA084030R1701	4	5/3
PPECL1519	7TCA084030R1702	4	5/3
PPECL2024	7TCA084030R1703	4	5/3

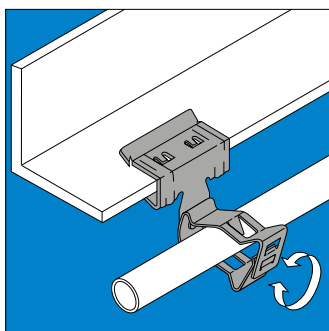
# Merchandiser unit

## Re-ordering part numbers



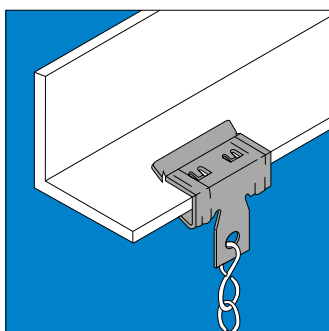
### Girder clips for single cables

Part no.	ABB order code	Quantity (pieces)	Page
PPECS89	7TCA084030R1714	25	5/3
PPECS1011	7TCA084030R1710	25	5/3
PPECS1214	7TCA084030R1711	25	5/3
PPECS1519	7TCA084030R1712	25	5/3
PPECS2024	7TCA084030R1713	25	5/3
PPECM89	7TCA084030R1709	25	5/3
PPECM1011	7TCA084030R1705	25	5/3
PPECM1214	7TCA084030R1706	25	5/3
PPECM1519	7TCA084030R1707	25	5/3
PPECM2024	7TCA084030R1708	25	5/3
PPECL89	7TCA084030R1704	25	5/3
PPECL1011	7TCA084030R1700	25	5/3
PPECL1214	7TCA084030R1701	25	5/3
PPECL1519	7TCA084030R1702	25	5/3
PPECL2024	7TCA084030R1703	25	5/3



### Girder clips for conduit

Part no.	ABB order code	Quantity (pieces)	Page
AH38-GM1926	7TCA084030R0595	25	4/3
AH814-GM1926	7TCA084030R0652	25	4/3

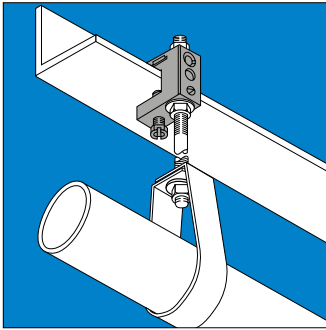


### Girder clips for chain or wire

Part no.	ABB order code	Quantity (pieces)	Page
PPAH38	7TCA084030R1695	25	2/2
PPAH814	7TCA084030R1696	25	2/2

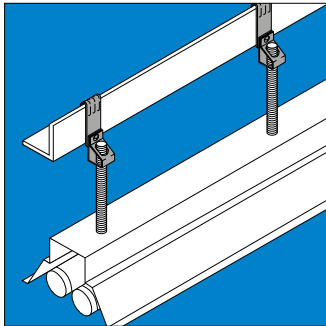
# Merchandiser unit

## Re-ordering part numbers



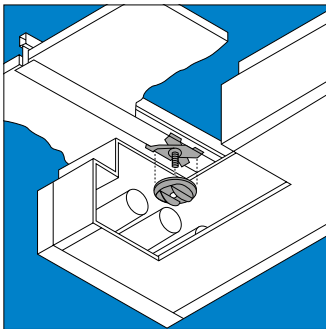
### Girder clamps for threaded rod

Part no.	ABB order code	Quantity (pieces)	Page
PPFH65	7TCA084030R1720	25	2/2



### Purlin clips for threaded rod

Part no.	ABB order code	Quantity (pieces)	Page
AV155-AM6T	7TCA084030R0750	25	3/7
AV155-AM10T	7TCA084030R0742	25	3/7

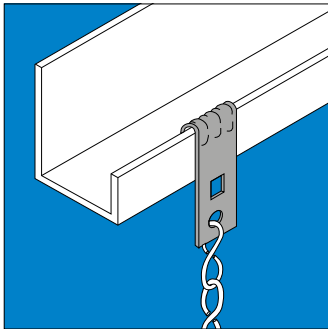


### Suspended ceiling clips

Part no.	ABB order code	Quantity (pieces)	Page
PPJHX16S	7TCA084030R1721	25	6/2

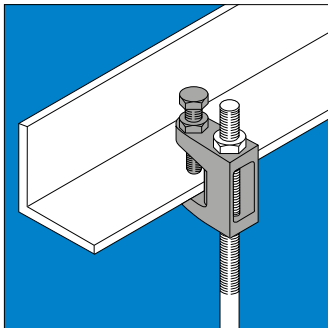
# Merchandiser unit

## Re-ordering part numbers



### Girder clips for chain or wire

Part no.	ABB order code	Quantity (pieces)	Page
PPAV155	7TCA084030R1699	25	2/2



### Girder clamps for threaded rod

Part no.	ABB order code	Quantity (pieces)	Page
FC-11	7TCA084220R0153	25	3/2



# Technical information

## Technical information

Quality assurance	12/2
Protection against corrosion	12/2
Load rating	12/2
Materials	12/2
Warranty & limitations	12/2
Misapplication	12/3
Disclaimer	12/3

# Technical information

## Quality assurance

E-Klips products are registered for BS EN ISO 9001 and have a comprehensive test and inspection programme so that all comply with our specifications, whether they are of our own manufacture or from a quality approved source. Any further details required on quality are available on request.

## Protection against corrosion

The majority of E-Klips spring steel fasteners are zinc coated. The clips have a zinc silver coloured sacrificial coating which deposits two layers of zinc and an application of a waterproof topcoat. This gives a high level of protection against first white corrosion and then red rust according to ASTM-B695-90 or equivalent.

The corrosion resistance is measured by a salt spray test conforming to ASTM-B-117-90, DIN 50021 or equivalent. E-Klips zinc coated products are salt spray rated to a minimum of 600 hours and are coded F8+.

## Key to finishes and applications:

- F1 Electroplated zinc finish, generally 8-12 microns thick with chromate coating, approximately 72 hours salt spray resistance ASTM-B117-90, DIN 50021, suitable for indoor, non-corrosive environments.
- F2 Galvanised, generally hot dipped to a thickness of 50-70 microns, suitable for indoor and outdoor, humid and mildly corrosive environments.
- F3 Stainless steel, suitable for indoor and outdoor and mildly corrosive environments.
- F4 Painted finish to compliment indoor applications.
- F5 Black phosphate finish in accordance with BS 3189 Class 1 suitable to achieve 72 hours salt spray rating for indoor, non-corrosive environments.
- F6 Self colour, unfinished and unprotected product for indoor applications.
- F7 Flexible plastic coating with good chemical and corrosion resistance to protect the base material.
- F8+ Zinc silver coloured sacrificial coating (Z600+), enhanced by an application of waterproof topcoat giving a corrosion resistance of more than 600 hours, for use in indoor and outdoor humid and mildly corrosive environments. Coating is completely chromium free.

## Load rating

The load rating of E-Klips fasteners is expressed as a maximum static load limit. This is the stationary vertical load limit for a fixing product and incorporates a significant safety factor. Where fasteners are combined, the load rating is determined by the lowest rated fastener. If the load rating of the steelwork is less than that of the fastener, this becomes the maximum static load rating for the system. For further information please contact the sales office.

## Materials

E-Klips products are manufactured using steel in accordance to BS EN 1449 - part 1.15 grade CS70. Furthermore products are annealed and oiled.

All components are hardened and aust tempered using the shaker hearth furnace method to give a final hardness reading of 400-450 HV-10 Vickers.

## Warranty and limitations

ABB warrants to the buyer that the products sold in this catalogue shall be free of defects in material and workmanship at the time of shipment. Buyers' sole and exclusive remedy under this warranty is limited to repair or replacement, at our option, of the product, or any part or parts thereof, which have been returned to us, with transportation charges prepaid to our factory, and which we determine to have been defective at time of original factory shipment. We disclaim any liability for incidental or consequential damages which may be incurred either by the buyer or user of E-Klips fasteners. ABB neither assumes or authorises any person to assume for it any obligation in the connection with the sale of the product in excess of the above mentioned warranty and remedy.



## Misapplication

E-Klips spring steel fasteners are intended for indoor and outdoor use in a mildly corrosive atmosphere and within the published load limits. ABB assumes no liability for any misapplication of any fastener.

A misapplication of a fastener includes any or all of the following:

- Use beyond published load limits (see catalogue).  
(Note: all load ratings, unless specified, are vertical load ratings for normal fastener application).
- Installation in a manner other than per instructions.
- Use in an environment which is or might be corrosive.
- Use in an application not published by ABB, as shown in the fasteners product catalogue.
- Use without compliance with local/national code regulations.

NB: Owing to manufacturing improvements, some fasteners supplied may differ from those illustrated. However, the static loads stated still apply.

This brochure is designed to provide only preliminary information on the E-Klips products and services provided by ABB and is not a contract.

## Disclaimer

The company does not accept any liability for loss or damage arising from failure to follow its instructions in respect of its products or from variations to products not agreed by it.

# Part number index

Part no.	Page no.	ABB order code	Part no.	Page no.	ABB order code	Part no.	Page no.	ABB order code
A100	10/3	7TCA084030R0439	AH38-AM8T	3/5	7TCA084030R0572	AM-6T	3/4	7TCA084030R0730
AH-1420	2/2	7TCA084030R0443	AH38-B	5/2	7TCA084030R0574	AM-8T	3/4	7TCA084030R0732
AH-153	2/2	7TCA084030R0448	AH38-BM10	3/6	7TCA084030R0576	AV-155	2/2	7TCA084030R0734
AH-38	2/2	7TCA084030R0452	AH38-BM6	3/6	7TCA084030R0580	AV-57	2/2	7TCA084030R0739
AH-814	2/2	7TCA084030R0457	AH38-BM8	3/6	7TCA084030R0582	AV155-AM10T	3/7,11/2,11/4	7TCA084030R0742
AH1420-AM10T	3/5	7TCA084030R0462	AH38-CT2	5/4	7TCA084030R0586	AV155-AM127	3/7	7TCA084030R0747
AH1420-AM127	3/5	7TCA084030R0465	AH38-CT2R	5/4	7TCA084030R0588	AV155-AM6T	3/7,11/2,11/4	7TCA084030R0750
AH1420-AM6T	3/5	7TCA084030R0467	AH38-CT4	5/4	7TCA084030R0590	AV155-AM8T	3/7	7TCA084030R0754
AH1420-AM8T	3/5	7TCA084030R0470	AH38-GM1219	4/3	7TCA084030R0593	AV155-BM10	3/7	7TCA084030R0758
AH1420-B	5/2	7TCA084030R0472	AH38-GM1926	4/3,11/2,11/3	7TCA084030R0595	AV155-BM6	3/7	7TCA084030R0762
AH1420-BM10	3/6	7TCA084030R0473	AH38-GM2632	4/3	7TCA084030R0598	AV155-BM8	3/7	7TCA084030R0764
AH1420-BM6	3/6	7TCA084030R0476	AH38-GM3240	4/3	7TCA084030R0600	AV155-CT2	5/5	7TCA084030R0766
AH1420-BM8	3/6	7TCA084030R0478	AH38-GM4047	4/3	7TCA084030R0602	AV155-CT2R	5/5	7TCA084030R0768
AH1420-CT2	5/4	7TCA084030R0481	AH38-GM4757	4/3	7TCA084030R0604	AV155-CT4	5/5	7TCA084030R0770
AH1420-CT2R	5/4	7TCA084030R0483	AH38-JM1825	4/4	7TCA084030R0606	AV155-GM1219	4/5	7TCA084030R0772
AH1420-CT4	5/4	7TCA084030R0485	AH38-JM1825R	4/4	7TCA084030R0608	AV155-GM1219R	4/5	7TCA084030R0774
AH1420-GM1219	4/3	7TCA084030R0487	AH38-JM2229	4/4	7TCA084030R0610	AV155-GM1926	4/5	7TCA084030R0775
AH1420-GM1926	4/3	7TCA084030R0489	AH38-JM2229R	4/4	7TCA084030R0612	AV155-GM1926R	4/5	7TCA084030R0778
AH1420-GM2632	4/3	7TCA084030R0493	AH38-JM2933	4/4	7TCA084030R0614	AV155-GM2632	4/5	7TCA084030R0779
AH1420-GM3240	4/3	7TCA084030R0495	AH38-M	5/4	7TCA084030R0616	AV155-GM2632R	4/5	7TCA084030R0781
AH1420-GM4047	4/3	7TCA084030R0497	AH38-MR	5/4	7TCA084030R0619	AV155-GM3240	4/5	7TCA084030R0782
AH1420-GM4757	4/3	7TCA084030R0499	AH38-YM127	3/5	7TCA084030R0621	AV155-GM4047	4/5	7TCA084030R1909
AH1420-JM1825	4/4	7TCA084030R0501	AH814-AM10T	3/5	7TCA084030R0623	AV155-GM4757	4/5	7TCA084030R0784
AH1420-JM1825R	4/4	7TCA084030R0503	AH814-AM127	3/5	7TCA084030R0626	AV155-JB10T	3/6	7TCA084030R0785
AH1420-JM2229	4/4	7TCA084030R0504	AH814-AM6T	3/5	7TCA084030R0629	AV155-JB11	3/6	7TCA084030R0786
AH1420-JM2229R	4/4	7TCA084030R0506	AH814-AM8T	3/5	7TCA084030R0632	AV155-JB8T	3/6	7TCA084030R0787
AH1420-JM2933	4/4	7TCA084030R0507	AH814-B	5/2	7TCA084030R0634	AV155-M	5/6	7TCA084030R0788
AH1420-JM2933R	4/4	7TCA084030R0509	AH814-BM10	3/6	7TCA084030R0636	AV155-MR	5/6	7TCA084030R0791
AH1420-M	5/4	7TCA084030R0510	AH814-BM6	3/6	7TCA084030R0639	AV57-AM10T	3/7	7TCA084030R0795
AH1420-MR	5/4	7TCA084030R0513	AH814-BM8	3/6	7TCA084030R0641	AV57-AM127	3/7	7TCA084030R0798
AH1420-YM127	3/5	7TCA084030R0515	AH814-CT2	5/4	7TCA084030R0644	AV57-AM6T	3/7	7TCA084030R0800
AH153-AM10T	3/5	7TCA084030R0520	AH814-CT2R	5/4	7TCA084030R0646	AV57-AM8T	3/7	7TCA084030R0803
AH153-AM127	3/5	7TCA084030R0522	AH814-CT4	5/4	7TCA084030R0648	AV57-BM10	3/7	7TCA084030R0806
AH153-AM6T	3/5	7TCA084030R0524	AH814-GM1219	4/3	7TCA084030R0650	AV57-BM6	3/7	7TCA084030R0809
AH153-AM8T	3/5	7TCA084030R0525	AH814-GM1926	4/3,11/2,11/3	7TCA084030R0652	AV57-BM8	3/7	7TCA084030R0811
AH153-B	5/2	7TCA084030R0527	AH814-GM2632	4/3	7TCA084030R0655	AV57-CT2	5/5	7TCA084030R0813
AH153-BM10	3/6	7TCA084030R0529	AH814-GM3240	4/3	7TCA084030R0657	AV57-CT2R	5/5	7TCA084030R1921
AH153-BM6	3/6	7TCA084030R0532	AH814-GM4047	4/3	7TCA084030R0659	AV57-CT4	5/5	7TCA084030R1920
AH153-BM8	3/6	7TCA084030R0534	AH814-GM4757	4/3	7TCA084030R0661	AV57-GM1219	4/5	7TCA084030R0817
AH153-CT2	5/4	7TCA084030R0537	AH814-JM1825	4/4	7TCA084030R0663	AV57-GM1219R	4/5	7TCA084030R1912
AH153-CT2R	5/4, 5/5	7TCA084030R0540	AH814-JM1825R	4/4	7TCA084030R0665	AV57-GM1926	4/5	7TCA084030R0818
AH153-CT4	5/4	7TCA084030R0542	AH814-JM2229	4/4	7TCA084030R0667	AV57-GM1926R	4/5	7TCA084030R1913
AH153-GM1219	4/3	7TCA084030R0544	AH814-JM2229R	4/4	7TCA084030R0669	AV57-GM2632	4/5	7TCA084030R0820
AH153-GM1926	4/3	7TCA084030R0546	AH814-JM2933	4/4	7TCA084030R0671	AV57-GM2632R	4/5	7TCA084030R1914
AH153-GM2632	4/3	7TCA084030R0548	AH814-JM2933R	4/4	7TCA084030R0673	AV57-GM3240	4/5	7TCA084030R1910
AH153-GM3240	4/3	7TCA084030R0550	AH814-M	5/4	7TCA084030R0675	AV57-GM4047	4/5	7TCA084030R1911
AH153-GM4047	4/3	7TCA084030R0552	AH814-MR	5/4	7TCA084030R0679	AV57-GM4757	4/5	7TCA084030R0821
AH153-GM4757	4/3	7TCA084030R0554	AH814-YM127	3/5	7TCA084030R0681	AV57-JB10T	3/6	7TCA084030R0822
AH153-M	5/4	7TCA084030R0556	AHB-1420	3/6	7TCA084030R0683	AV57-JB11	3/6	7TCA084030R0823
AH153-MR	5/4	7TCA084030R0559	AHB-153	3/6	7TCA084030R0685	AV57-JB8T	3/6	7TCA084030R0824
AH153-YM127	3/5	7TCA084030R0561	AHB-38	3/6	7TCA084030R0687	AV57-M	5/6	7TCA084030R0825
AH38-AM10T	3/5	7TCA084030R0563	AHB-814	3/6	7TCA084030R0690	AV57-MR	5/6	7TCA084030R1919
AH38-AM127	3/5	7TCA084030R0566	AM-10T	3/4	7TCA084030R0726	AVB-6T	3/7	7TCA084030R0830
AH38-AM6T	3/5	7TCA084030R0569	AM-127	3/4	7TCA084030R0728	AVB-8T	3/7	7TCA084030R0831

# Part number index

Part no.	Page no.	ABB order code
BH-10T	3/3	7TCA084220R0068
BH-6T	3/3	7TCA084220R0070
BH-8T	3/3	7TCA084220R0072
BM-10	3/4	7TCA084030R0835
BM-6	3/4	7TCA084030R0839
BM-8	3/4	7TCA084030R0841
CMP-400	10/2	7TCA084220R0074
CW100-2	9/2	7TCA084220R0086
CW100-3	9/2	7TCA084220R0088
CW100-3PVC	9/2	7TCA084220R0090
CW100-4	9/2	7TCA084220R0092
CW100-4PVC	9/2	7TCA084220R0094
CW100-6	9/2	7TCA084220R0096
CW100-6PVC	9/2	7TCA084220R0098
CW30-3	9/2	7TCA084220R0100
CW30-3PVC	9/2	7TCA084220R0103
CW30-4	9/2	7TCA084220R0106
CW30-4PVC	9/2	7TCA084220R0107
CW30-6	9/2	7TCA084220R0109
CW30-6PVC	9/2	7TCA084220R0111
CW50-3	9/2	7TCA084220R0114
CW50-3PVC	9/2	7TCA084220R0116
CW50-4	9/2	7TCA084220R0118
CW50-4PVC	9/2	7TCA084220R0120
CW50-6	9/2	7TCA084220R0121
CW50-6PVC	9/2	7TCA084220R0123
CWG-23	9/3	7TCA084220R0125
CWG-4	9/3	7TCA084220R0126
CWG-6	9/3	7TCA084220R0127
CWT-23	9/3	7TCA084220R0128
CWT-46	9/3	7TCA084220R0129
DH-50	7/5	7TCA084030R0931
DH1217-105	7/4	7TCA084030R0935
DH1217-65	7/4	7TCA084030R0936
DH1217-GM1219	7/5	7TCA084030R0937
DH1217-GM1926	7/5	7TCA084030R0938
DH1217-GM2632	7/5	7TCA084030R0939
DH1217-GM3240	7/5	7TCA084030R0940
DH1217-GM4047	7/5	7TCA084030R0941
DH1217-GM4757	7/5	7TCA084030R0942
DH1217-M10	7/4	7TCA084030R0943
DH1217-M8	7/4	7TCA084030R0945
DH1722-105	7/4	7TCA084030R0946
DH1722-65	7/4	7TCA084030R0947
DH1722-GM1219	7/5	7TCA084030R0948
DH1722-GM1926	7/5	7TCA084030R0949
DH1722-GM2632	7/5	7TCA084030R0950
DH1722-GM3240	7/5	7TCA084030R0951
DH1722-GM4047	7/5	7TCA084030R0952
DH1722-GM4757	7/5	7TCA084030R0953
DH1722-M10	7/4	7TCA084030R0954
DH1722-M8	7/4	7TCA084030R0956
DHN-10T	7/5	7TCA084030R0957
DHN-6T	7/5	7TCA084030R0958

Part no.	Page no.	ABB order code
DHN-8T	7/5	7TCA084030R0959
DMH-10T	7/3	7TCA084220R0131
DMH-6T	7/3	7TCA084220R0132
DMH-8T	7/3	7TCA084220R0133
DWH-10T	7/3	7TCA084220R0136
DWH-6T	7/3	7TCA084220R0137
DWH-8T	7/3	7TCA084220R0138
ECA-1215	5/3	7TCA084030R0971
ECA-1520	5/3	7TCA084030R0975
ECH-33	4/13	7TCA084220R0140
ECH-37	4/13	7TCA084220R0141
ECH-41	4/13	7TCA084220R0143
ECH-45	4/13	7TCA084220R0144
ECH-49	4/13	7TCA084220R0146
ECH-53	4/13	7TCA084220R0148
ECL-1011	5/3	7TCA084030R0980
ECL-1214	5/3	7TCA084030R0985
ECL-1519	5/3	7TCA084030R0990
ECL-2024	5/3	7TCA084030R0995
ECL-2532	5/3	7TCA084030R1000
ECL-4555	5/3	7TCA084030R1004
ECL-67	5/3	7TCA084030R1006
ECL-89	5/3	7TCA084030R1010
ECM-1011	5/3	7TCA084030R1015
ECM-1214	5/3	7TCA084030R1019
ECM-1519	5/3	7TCA084030R1024
ECM-2024	5/3	7TCA084030R1029
ECM-2532	5/3	7TCA084030R1034
ECM-4555	5/3	7TCA084030R1037
ECM-67	5/3	7TCA084030R1039
ECM-89	5/3	7TCA084030R1044
ECS-1011	5/3	7TCA084030R1049
ECS-1214	5/3	7TCA084030R1054
ECS-1519	5/3	7TCA084030R1059
ECS-2024	5/3	7TCA084030R1064
ECS-2532	5/3	7TCA084030R1069
ECS-4555	5/3	7TCA084030R1073
ECS-67	5/3	7TCA084030R1075
ECS-89	5/3	7TCA084030R1080
EH-1420	2/3	7TCA084030R1085
EH-1420S	2/3	7TCA084030R1088
EH-38	2/3	7TCA084030R1091
EH-38S	2/3	7TCA084030R1095
EH-814	2/3	7TCA084030R1098
EH-814S	2/3	7TCA084030R1102
EH1420-GM1219	4/6	7TCA084030R1105
EH1420-GM1926	4/6	7TCA084030R1107
EH1420-GM2632	4/6	7TCA084030R1109
EH1420-GM3240	4/6	7TCA084030R1111
EH1420-GM4047	4/6	7TCA084030R1113
EH1420-GM4757	4/6	7TCA084030R1115
EH1420-JM1825	4/6	7TCA084030R1117
EH1420-JM2229	4/6	7TCA084030R1119
EH1420-JM2933	4/6	7TCA084030R1121

Part no.	Page no.	ABB order code
EH1420-P15	4/7	7TCA084030R1123
EH1420-P22	4/7	7TCA084030R1125
EH1420-P28	4/7	7TCA084030R1127
EH1420-RCC13	4/8	7TCA084030R1129
EH1420-RCC15	4/8	7TCA084030R1131
EH38-GM1219	4/6	7TCA084030R1133
EH38-GM1926	4/6	7TCA084030R1135
EH38-GM2632	4/6	7TCA084030R1138
EH38-GM3240	4/6	7TCA084030R1140
EH38-GM4047	4/6	7TCA084030R1142
EH38-GM4757	4/6	7TCA084030R1144
EH38-JM1825	4/6	7TCA084030R1146
EH38-JM2229	4/6	7TCA084030R1148
EH38-JM2933	4/6	7TCA084030R1150
EH38-P15	4/7	7TCA084030R1152
EH38-P22	4/7	7TCA084030R1154
EH38-P28	4/7	7TCA084030R1157
EH38-RCC13	4/8	7TCA084030R1160
EH38-RCC15	4/8	7TCA084030R1162
EH814-GM1219	4/6	7TCA084030R1163
EH814-GM1926	4/6	7TCA084030R1165
EH814-GM2632	4/6	7TCA084030R1168
EH814-GM3240	4/6	7TCA084030R1170
EH814-GM4047	4/6	7TCA084030R1172
EH814-GM4757	4/6	7TCA084030R1174
EH814-JM1825	4/6	7TCA084030R1176
EH814-JM2229	4/6	7TCA084030R1178
EH814-JM2933	4/6	7TCA084030R1180
EH814-P15	4/7	7TCA084030R1182
EH814-P22	4/7	7TCA084030R1184
EH814-P28	4/7	7TCA084030R1187
EH814-RCC13	4/8	7TCA084030R1191
EH814-RCC15	4/8	7TCA084030R1193
Eklipsunit	11/2	7TCA084030R1199
FC-10T	3/2	7TCA084220R0152
FC-11	3/2,11/2,11/5	7TCA084220R0153
FC-12T	3/2	7TCA084220R0155
FC-13	3/2	7TCA084220R0156
FC-6T	3/2	7TCA084220R0158
FC-7	3/2	7TCA084220R0159
FC-8T	3/2	7TCA084220R0160
FC-9	3/2	7TCA084220R0161
FH-107	2/2	7TCA084030R1210
FH-65	2/2	7TCA084030R1214
FH107-AM10T	3/9	7TCA084030R1218
FH107-AM127	3/9	7TCA084030R1220
FH107-AM6T	3/9	7TCA084030R1222
FH107-AM8T	3/9	7TCA084030R1224
FH107-BM10	3/9	7TCA084030R1226
FH107-BM6	3/9	7TCA084030R1230
FH107-BM8	3/9	7TCA084030R1232
FH107-GM1219	4/10	7TCA084030R1234
FH107-GM1926	4/10	7TCA084030R1236
FH107-GM2632	4/10	7TCA084030R1238

# Part number index

Part no.	Page no.	ABB order code	Part no.	Page no.	ABB order code	Part no.	Page no.	ABB order code
FH107-GM3240	4/10	7TCA084030R1240	JHX-16S	6/2	7TCA084030R1441	NM65-AV155	9/5	7TCA084030R1614
FH107-GM4047	4/10	7TCA084030R1242	JHX-16SW	6/2	7TCA084030R1445	NM65-AV57	9/5	7TCA084030R1933
FH107-GM4757	4/10	7TCA084030R1925	JHX-38S	6/2	7TCA084030R1446	PB-107112	8/3	7TCA084220R0220
FH107-JM1825	4/10	7TCA084030R1245	JM-1825	4/2	7TCA084030R1451	PB-113118	8/3	7TCA084220R0221
FH107-JM2229	4/10	7TCA084030R1247	JM-2229	4/2	7TCA084030R1455	PB-125130	8/3	7TCA084220R0222
FH107-JM2933	4/10	7TCA084030R1249	JM-2933	4/2	7TCA084030R1459	PB-138142	8/3	7TCA084220R0223
FH65-GM1219	4/9	7TCA084030R1251	JM1825-JM1825	4/12	7TCA084030R1463	PB-148152	8/3	7TCA084220R0224
FH65-GM1926	4/9	7TCA084030R1253	JM1825-JM2229	4/12	7TCA084030R1465	PB-1519	8/3	7TCA084220R0225
FH65-GM2632	4/9	7TCA084030R1254	JM1825-JM2933	4/12	7TCA084030R1467	PB-159166	8/3	7TCA084220R0226
FH65-GM3240	4/9	7TCA084030R1256	JM2229-JM2229	4/12	7TCA084030R1468	PB-200212	8/3	7TCA084220R0227
FH65-GM4047	4/9	7TCA084030R1258	JM2229-JM2933	4/12	7TCA084030R1470	PB-2025	8/3	7TCA084220R0228
FH65-GM4757	4/9	7TCA084030R1260	JM2933-JM2933	4/12	7TCA084030R1472	PB-215220	8/3	7TCA084220R0229
FH65-JM1825	4/10	7TCA084030R1262	KF-3	9/6	7TCA084220R0185	PB-2630	8/3	7TCA084220R0230
FH65-JM2229	4/10	7TCA084030R1264	KF-4	9/6	7TCA084220R0187	PB-3236	8/3	7TCA084220R0231
FH65-JM2933	4/10	7TCA084030R1266	KG-3	9/6	7TCA084220R0189	PB-3843	8/3	7TCA084220R0232
FM-313T	3/3, 4/2	7TCA084030R1270	KG-4	9/6	7TCA084220R0191	PB-4751	8/3	7TCA084220R0233
FM-320T	3/3, 4/2	7TCA084030R1274	KH-6W	6/2	7TCA084030R1478	PB-5358	8/3	7TCA084220R0234
GH-1018	5/2	7TCA084030R1294	KK-20	9/6	7TCA084220R0193	PB-6064	8/3	7TCA084220R0235
GH-310	5/2	7TCA084030R1298	KK-30	9/6	7TCA084220R0195	PB-6872	8/3	7TCA084220R0237
GM-1219	4/2	7TCA084030R1302	KN-2	9/6	7TCA084220R0197	PB-7580	8/3	7TCA084220R0238
GM-1926	4/2	7TCA084030R1305	KN-3	9/6	7TCA084220R0199	PB-8186	8/3	7TCA084220R0239
GM-2632	4/2	7TCA084030R1310	LH-25	6/2	7TCA084030R1485	PB-8792	8/3	7TCA084220R0240
GM-3240	4/2	7TCA084030R1312	LH-25W	6/2	7TCA084030R1490	PB-99105	8/3	7TCA084220R0241
GM-4047	4/2	7TCA084030R1315	LM-38	5/2	7TCA084030R1492	PBD-2024	8/4	7TCA084220R0242
GM-4757	4/2	7TCA084030R1317	LM-811	5/2	7TCA084030R1495	PCH-1418	8/2	7TCA084220R0245
GM1219-GM1926	4/11	7TCA084030R1320	LS-32	9/4	7TCA084220R0210	PCH-1618	8/2	7TCA084220R0248
GM1219-GM2632	4/11	7TCA084030R1322	LS-38	9/4	7TCA084220R0211	PCH-2022	8/2	7TCA084220R0250
GM1219-GM3240	4/11	7TCA084030R1928	LS-48	9/4	7TCA084220R0212	PCH-2528	8/2	7TCA084220R0252
GM1219-GM4047	4/11	7TCA084030R1929	LS-54	9/4	7TCA084220R0213	PCH-3335	8/2	7TCA084220R0254
GM1219-GM4757	4/11	7TCA084030R1326	LS-60	9/4	7TCA084220R0214	PCH-4244	8/2	7TCA084220R0256
GM1926-GM1926	4/11	7TCA084030R1328	LS-72	9/4	7TCA084220R0215	PCH-4850	8/2	7TCA084220R0258
GM1926-GM2632	4/11	7TCA084030R1330	MM-65	9/5	7TCA084030R1504	PCH-5254	8/2	7TCA084220R0260
GM1926-GM3240	4/11	7TCA084030R1332	MM65-AH1420	9/5	7TCA084030R1507	PCS-107112	8/2	7TCA084220R0264
GM1926-GM4047	4/11	7TCA084030R1334	MM65-AH153	9/5	7TCA084030R1509	PCS-113118	8/2	7TCA084220R0265
GM1926-GM4757	4/11	7TCA084030R1336	MM65-AH38	9/5	7TCA084030R1511	PCS-125130	8/2	7TCA084220R0266
GM2632-GM2632	4/11	7TCA084030R1338	MM65-AH814	9/5	7TCA084030R1513	PCS-132137	8/2	7TCA084220R0267
GM2632-GM3240	4/11	7TCA084030R1340	MM65-AV155	9/5	7TCA084030R1515	PCS-138142	8/2	7TCA084220R0268
GM2632-GM4047	4/11	7TCA084030R1342	MM65-AV57	9/5	7TCA084030R1916	PCS-148152	8/2	7TCA084220R0269
GM2632-GM4757	4/11	7TCA084030R1344	NF-4	9/6	7TCA084220R0216	PCS-1519	8/2	7TCA084220R0270
GM3240-GM3240	4/11	7TCA084030R1346	NG-4	9/6	7TCA084220R0218	PCS-159166	8/2	7TCA084220R0271
GM3240-GM4047	4/11	7TCA084030R1930	NH-083	7/2	7TCA084030R1521	PCS-200212	8/2	7TCA084220R0272
GM3240-GM4757	4/11	7TCA084030R1349	NH083-AM10T	7/2	7TCA084030R1523	PCS-2025	8/2	7TCA084220R0273
GM4047-GM4047	4/11	7TCA084030R1931	NH083-AM127	7/2	7TCA084030R1525	PCS-215220	8/2	7TCA084220R0274
GM4047-GM4757	4/11	7TCA084030R1932	NH083-AM6T	7/2	7TCA084030R1527	PCS-248252	8/2	7TCA084220R0275
GM4757-GM4757	4/11	7TCA084030R1352	NH083-AM8T	7/2	7TCA084030R1529	PCS-2630	8/2	7TCA084220R0276
H-0612	4/14	7TCA084220R0165	NH083-BM10	7/3	7TCA084030R1531	PCS-3236	8/2	7TCA084220R0278
H-1822	4/14	7TCA084220R0166	NH083-BM6	7/3	7TCA084030R1534	PCS-3843	8/2	7TCA084220R0279
H-2226	4/14	7TCA084220R0167	NH083-BM8	7/3	7TCA084030R1535	PCS-4751	8/2	7TCA084220R0280
H-2630	4/14	7TCA084220R0168	NH083-YM127	7/2	7TCA084030R1537	PCS-5358	8/2	7TCA084220R0281
H-3034	4/14	7TCA084220R0169	NM-65	9/5	7TCA084030R1605	PCS-6064	8/2	7TCA084220R0282
H-3842	4/14	7TCA084220R0170	NM65-AH1420	9/5	7TCA084030R1917	PCS-6872	8/2	7TCA084220R0283
H-5864	4/14	7TCA084220R0171	NM65-AH153	9/5	7TCA084030R1608	PCS-7580	8/2	7TCA084220R0284
HW50	9/2	7TCA084220R0176	NM65-AH38	9/5	7TCA084030R1610	PCS-8186	8/2	7TCA084220R0285
JH-15SW	6/2	7TCA084220R0181	NM65-AH814	9/5	7TCA084030R1612	PCS-7580	8/2	7TCA084220R0284

# Part number index

Part no.	Page no.	ABB order code	Part no.	Page no.	ABB order code	Part no.	Page no.	ABB order code
PCS-8186	8/2	7TCA084220R0285	PPJHX16S	11/2,11/4	7TCA084030R1721	SM125-GM4757	4/7	7TCA084030R1924
PCS-8792	8/2	7TCA084220R0286	RA-0612	4/13	7TCA084220R0328	SM125-M	5/6	7TCA084030R1779
PCS-99105	8/2	7TCA084220R0287	RA-1216	4/13	7TCA084220R0329	SM125-MR	5/6	7TCA084030R1918
PCSD-100106	8/3	7TCA084220R0288	RA-1418	4/13	7TCA084220R0330	SP-13B	9/4	7TCA084220R0385
PCSD-133140	8/3	7TCA084220R0289	RA-1822	4/13	7TCA084220R0331	SP-130	9/4	7TCA084220R0387
PCSD-1518	8/3	7TCA084220R0290	RA-2226	4/13	7TCA084220R0332	SP-13R-FU	9/4	7TCA084220R0384
PCSD-159165	8/3	7TCA084220R0291	RA-2630	4/13	7TCA084220R0333	SP-13W	9/4	7TCA084220R0388
PCSD-2024	8/3	7TCA084220R0292	RA-3034	4/13	7TCA084220R0334	SP-19B	9/4	7TCA084220R0390
PCSD-2630	8/3	7TCA084220R0293	RA-3438	4/13	7TCA084220R0335	SP-190	9/4	7TCA084220R0393
PCSD-3236	8/3	7TCA084220R0294	RA-3842	4/13	7TCA084220R0336	SP-19R	9/4	7TCA084220R0395
PCSD-3842	8/3	7TCA084220R0295	RA-4246	4/13	7TCA084220R0337	SP-19W	9/4	7TCA084220R0397
PCSD-4750	8/3	7TCA084220R0296	RA-5054	4/13	7TCA084220R0338	SP-27B	9/4	7TCA084220R0399
PCSD-6064	8/3	7TCA084220R0297	RA-5458	4/13	7TCA084220R0339	SRH	3/2	7TCA084220R0406
PCSD-7580	8/3	7TCA084220R0298	RRCC-10	4/8	7TCA084220R0344	SS-12	9/4	7TCA084220R0415
PD	3/3	7TCA084220R0299	RCC-13	4/8	7TCA084220R0345	SS-18-FU	9/4	7TCA084220R0417
PH-100	8/4	7TCA084220R0302	RCC-15	4/8	7TCA084220R0346	SS-26	9/4	7TCA084220R0418
PH-125	8/4	7TCA084220R0304	RCC-20	4/8	7TCA084220R0347	SSCW100-2	9/2	7TCA084220R0420
PH-150	8/4	7TCA084220R0306	RCC-25	4/8	7TCA084220R0348	SSCW100-3	9/2	7TCA084220R0422
PH-20-FU	8/4	7TCA084220R0308	RCC-6-FU	4/8	7TCA084220R0349	SSCW100-4	9/2	7TCA084220R0423
PH-25-FU	8/4	7TCA084220R0310	RCC-8	4/8	7TCA084220R0350	SSCW100-6	9/2	7TCA084220R0425
PH-32	8/4	7TCA084220R0313	RM-055	2/4	7TCA084030R1735	SSCW30-3	9/2	7TCA084220R0426
PH-40	8/4	7TCA084220R0315	RM055-AM10T	3/10	7TCA084030R1739	SSCW30-4	9/2	7TCA084220R0428
PH-50	8/4	7TCA084220R0317	RM055-AM127	3/10	7TCA084030R1741	SSCW30-6	9/2	7TCA084220R0430
PH-65	8/4	7TCA084220R0319	RM055-AM6T	3/10	7TCA084030R1743	SSCW50-3	9/2	7TCA084220R0432
PH-80	8/4	7TCA084220R0321	RM055-AM8T	3/10	7TCA084030R1745	SSCW50-4	9/2	7TCA084220R0433
PM-65	6/3	7TCA084030R1666	S-0612	4/14	7TCA084220R0580	SSCW50-6	9/2	7TCA084220R0435
PM-6T	6/3	7TCA084030R1668	S-1014	4/14	7TCA084220R0581	SSCWG-2	9/3	7TCA084220R0437
PMB-65	6/3	7TCA084030R1681	S-1216	4/14	7TCA084220R0352	SSCWG-3	9/3	7TCA084220R0439
PMB-6T	6/3	7TCA084030R1683	S-1418	4/14	7TCA084220R0353	SSCWG-4	9/3	7TCA084220R0441
PMB65-GM1219	4/11	7TCA084030R1685	S-1822	4/14	7TCA084220R0355	SSCWG-6	9/3	7TCA084220R0443
PMB65-GM1926	4/11	7TCA084030R1687	S-2226	4/14	7TCA084220R0358	SSCW-23	9/3	7TCA084220R0445
PMB65-GM2632	4/11	7TCA084030R1908	S-2630	4/14	7TCA084220R0360	SSCW-46	9/3	7TCA084220R0447
PMB65-GM3240	4/11	7TCA084030R1926	S-3034	4/14	7TCA084220R0361	SSWT-2	9/3	7TCA084220R0449
PMB65-GM4047	4/11	7TCA084030R1927	S-3438	4/14	7TCA084220R0362	SSWT-34	9/3	7TCA084220R0451
PMB65-GM4757	4/11	7TCA084030R1692	S-3842	4/14	7TCA084220R0363	SSWT-6	9/3	7TCA084220R0453
PPAH38	11/2,11/3	7TCA084030R1695	S-4246	4/14	7TCA084220R0364	SSYH-1021	3/2	7TCA084220R0455
PPAH814	11/2,11/3	7TCA084030R1696	S-4650	4/14	7TCA084220R0365	SSYH-1533	3/2	7TCA084220R0457
PPAV155	11/2,11/5	7TCA084030R1699	S-5054	4/14	7TCA084220R0366	SSYH-3247	3/2	7TCA084220R0459
PPECL1011	11/2,11/3	7TCA084030R1700	S-5458	4/14	7TCA084220R0367	SSYHR-1618	4/12	7TCA084220R0461
PPECL1214	11/2,11/3	7TCA084030R1701	SG-12-FU	9/4	7TCA084220R0377	SSYHR-1821	4/12	7TCA084220R0462
PPECL1519	11/2,11/3	7TCA084030R1702	SG-18	9/4	7TCA084220R0374	SSYHR-2427	4/12	7TCA084220R0464
PPECL2024	11/2,11/3	7TCA084030R1703	SG-26	9/4	7TCA084220R0375	SSYHR-3034	4/12	7TCA084220R0466
PPECL89	11/2,11/3	7TCA084030R1704	SH-4	9/6	7TCA084220R0378	SSYHR-3438	4/12	7TCA084220R0468
PPECM1011	11/2,11/3	7TCA084030R1705	SH-5	9/6	7TCA084220R0380	SSYHR-4751	4/12	7TCA084220R0470
PPECM1214	11/2,11/3	7TCA084030R1706	SM-125	2/3	7TCA084030R1753	SSYHR-5963	4/12	7TCA084220R0472
PPECM1519	11/2,11/3	7TCA084030R1707	SM125-AM10T	3/8	7TCA084030R1755	TL10	3/10	7TCA084220R0477
PPECM2024	11/2,11/3	7TCA084030R1708	SM125-AM127	3/8	7TCA084030R1757	TM-03	2/4	7TCA084030R1823
PPECM89	11/2,11/3	7TCA084030R1709	SM125-AM6T	3/8	7TCA084030R1759	TM03-GM1219	4/8	7TCA084030R1824
PPECS1011	11/2,11/3	7TCA084030R1710	SM125-AM8T	3/8	7TCA084030R1761	TM03-GM1926	4/8	7TCA084030R1825
PPECS1214	11/2,11/3	7TCA084030R1711	SM125-GM1219	4/7	7TCA084030R1771	TM03-GM2632	4/8	7TCA084030R1826
PPECS1519	11/2,11/3	7TCA084030R1712	SM125-GM1926	4/7	7TCA084030R1773	TM03-GM3240	4/8	7TCA084030R1827
PPECS2024	11/2,11/3	7TCA084030R1713	SM125-GM2632	4/7	7TCA084030R1775	TM03-GM4047	4/8	7TCA084030R1828
PPECS89	11/2,11/3	7TCA084030R1714	SM125-GM3240	4/7	7TCA084030R1922	TM03-GM4757	4/8	7TCA084030R1829
PPFH65	11/2,11/4	7TCA084030R1720	SM125-GM4047	4/7	7TCA084030R1923	TM03-JM1825	4/9	7TCA084030R1830

# Part number index

Part no.	Page no.	ABB order code
TM03-JM2229	4/9	7TCA084030R1831
TM03-JM2933	4/9	7TCA084030R1832
UM-26	10/2	7TCA084030R1834
UM-44	10/2	7TCA084030R1835
UM-67	10/2	7TCA084030R1837
UM44-AM10T	3/8	7TCA084030R1838
UM44-AM127	3/8	7TCA084030R1839
UM44-AM6T	3/8	7TCA084030R1840
UM44-AM8T	3/8	7TCA084030R1841
UM44-BM10	3/8	7TCA084030R1842
UM44-BM6	3/8	7TCA084030R1844
UM44-BM8	3/8	7TCA084030R1845
UM44-YM127	3/8	7TCA084030R1846
V-1	9/6	7TCA084030R1847
VM-03	2/4	7TCA084030R1848
VM03-AM10T	3/9	7TCA084030R1850
VM03-AM127	3/9	7TCA084030R1852
VM03-AM6T	3/9	7TCA084030R1853
VM03-AM8T	3/9	7TCA084030R1855
VM03-BM10	3/10	7TCA084030R1857
VM03-BM6	3/10	7TCA084030R1859
VM03-BM8	3/10	7TCA084030R1860
WN10	7/2	7TCA084220R0543
WN6	7/2	7TCA084220R0547
WN8	7/2	7TCA084220R0549
WT-23	9/3	7TCA084220R0551
WT-34	9/3	7TCA084220R0553
WT-6-FU	9/3	7TCA084220R0555
XM-6	10/2	7TCA084030R1863
YH-1021	3/2	7TCA084220R0558
YH-1533	3/2	7TCA084220R0560
YH-3247	3/2	7TCA084220R0562
YHR-1618	4/12	7TCA084220R0564
YHR-1821	4/12	7TCA084220R0566
YHR-2427	4/12	7TCA084220R0568
YHR-3034	4/12	7TCA084220R0570
YHR-3438	4/12	7TCA084220R0572
YHR-4751	4/12	7TCA084220R0574
YHR-5963	4/12	7TCA084220R0576
YM-127	3/4	7TCA084030R1865



# Contact us

## **ABB E-Klips**

### **UK Office**

Wilford Road

Nottingham NG2 1EB

Tel: +44 (0) 115 964 3700

Fax: +44 (0) 115 986 0538

Sales Tel: +44 (0) 115 964 3800

Sales Fax: +44 (0) 115 986 0071

National Tel: +44 (0) 333 999 9900

National Fax: +44 (0) 333 999 9901

E-Mail: [enquiry@e-klips.com](mailto:enquiry@e-klips.com)

[www.e-klips.com](http://www.e-klips.com)

**Note:** We reserve the right to make technical changes or modify the contents of this document without prior notice. With regard to purchase orders, the agreed particulars shall prevail. ABB AG does not accept any responsibility whatsoever for potential errors or possible lack of information in this document.

We reserve all rights in this document and in the subject matter and illustrations contained therein. Any reproduction, disclosure to third parties or utilization of its contents – in whole or in parts – is forbidden without prior written consent of ABB AG.

Copyright © 2015 ABB

All rights reserved

© Copyright ABB. 9AAK10103A3655 11/2015



## X-ON Electronics

Largest Supplier of Electrical and Electronic Components

*Click to view similar products for [ABB manufacturer:](#)*

Other Similar products are found below :

[TY27MX](#) [TV10-516R](#) [RF727](#) [2CMA100178R1000](#) [ACS150-01E-09A8-2](#) [KS70-1104](#) [A75-30-11-230V-50HZ](#) [10-100](#) [5SDD](#) [92Z0401](#)  
[ESV14-BS](#) [EZS-21-250](#) [F204AC-40/0.1](#) [F362-25/0.03](#) [A40-30-10-84](#) [AF26-30-00-14](#) [AF30-30-00-13](#) [AF460-30-11-68](#) [AF50-30-11-70](#)  
[1455](#) [B14-250](#) [EF45-30](#) [ERG297](#) [HSC2-20](#) [1SAM201904R1001](#) [1SAM350000R1003](#) [1SAZ711201R1045](#) [1SAZ721201R1009](#)  
[1SAZ721201R1014](#) [1SAZ721201R1025](#) [1SAZ721201R1045](#) [1SBL367001R1300](#) [1SDA057197R1](#) [1SFA611100R1104](#) [1SFA611101R1002](#)  
[1SFA611130R1103](#) [1SFA611133R1106](#) [1SFA611143R1101](#) [1SFA611202R1108](#) [1SFA611203R1108](#) [1SFA611210R1101](#)  
[1SFA611215R1001](#) [1SFA611216R1108](#) [1SFA611281R1002](#) [1SFA611285R1002](#) [1SFA611702R6006](#) [1SFA616162R1025](#)  
[1SFA896106R1100](#) [1SVR730020R0200](#) [IPC4111](#) [OHB125J12](#)