

Data sheet

Connection cable M12 plug angled - free line end 4-pole, D-coded 1.0 m

Page 1/5

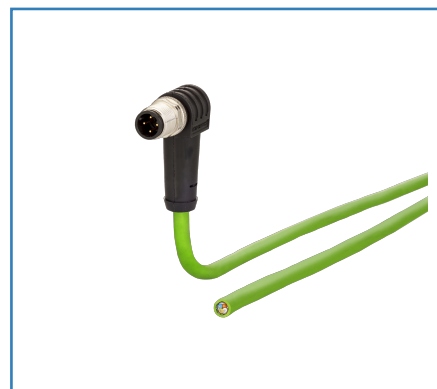
P/N

142M1D90010

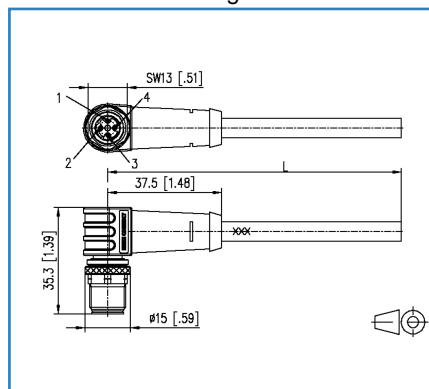
EAN 4250184174974

2018-13-02

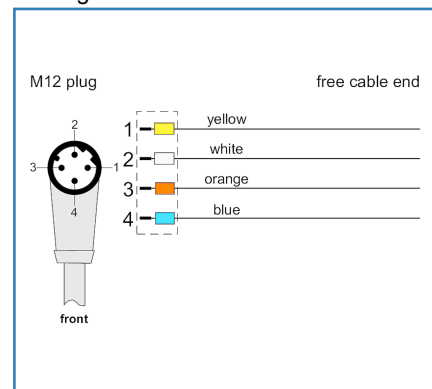
Illustrations



Dimensional drawing



Wiring



See enlarged drawings at the end of document

Product specification

- shielded M12 Ethernet connection cable
- Cat.5e, 4-pole, D-coded (IEC 61076-2-101)
- side 1: M12-plug, angled
- side 2: free line end
- extrusion-coated cable on M12 connector
- 2x2xAWG22/7, tinned with plastic foil
- inner sheath FRNC, aluminum-coated plastic foil
- overall shield: tinned copper braid, approx. 85% covered
- Profinet (WS-GE-BL-OR) wiring
- green cable, PUR
- variants: 1.0 m, 2.0 m, 5.0 m, 10.0 m
- other cable lengths on request



Data sheet

Page 2/5

Connection cable M12 plug angled - free line end 4-pole, D-coded 1.0 m

P/N

142M1D90010

EAN 4250184174974

2018-13-02

Technical Data

General Data

Fields of application

Industrial Ethernet

Design

Ethernet-Connection line

Shielding

shielded

Transmission technology

Copper

Cable Type

SF/FTP

Number of twisting elements

2

Twisting element

Pair

Wiring

Profinet

Color coding fiber/ wire(s)

yellow, white, orange, blue

Color

green

Dimensions

Dimension - Interface 1 (L x W x H)

52.30 x 15.00 x 15.00 mm

Dimension - Interface 1 (L x W x H)

2.059 x 0.591 x 0.591 in.

Cable length (m)

1.00 m

Labeling option

identification label carrier

Transmission characteristics

Category (ISO)

5e

Connections/interfaces

Connector technology interface 1

M12-plug

Coding interface 1

data systems technology tool

Number of positions/contacts interface 1

4

Termination data, stranded wire (min. - max.)

Conductor cross section, stranded wire

AWG 22/7

Conductor diameter, stranded wire (bare copper)

0.75 mm

Conductor diameter, stranded wire (bare copper)

0.03 in.

Cable sheath diameter (min. - max.)

Cable sheath diameter

6.50 mm

Cable sheath diameter

0.236 in.



Data sheet

Page 3/5

**Connection cable M12 plug angled - free line end
4-pole, D-coded 1.0 m**

P/N

142M1D90010

EAN 4250184174974

2018-13-02

Technical Data

Electrical characteristics

Current carrying capacity	max. 4 A
Through resistance	max. 5 mOhm
Insulation resistance	min. 100 MOhm

Mechanical characteristics

Life - Number of mating cycles	min. 100
Maximum operating bending radius	26 mm
Maximum operating bending radius	1.024 in.
Maximum installation load	52 mm
Maximum installation load	2.047 in.
Shielding braid coverage	85 %

Materials and material properties

Material - Conductor	Cu (copper)
Material - Conductor Insulation	Polyethylen
Material - Cable jacket	PUR
Material - Inner cable jacket	FRNC, with an aluminized film
Material - Body interface 1	Plastics
Material - Contact interface 1	CuZn (brass)
Material - Contact finish interface 1	Au (gold)
Material - Contact carriers interface 1	Plastics
Material - Union nut interface 1	CuZn (brass)
Material - Union nut finish interface 1	Ni (nickel)
Material - Pair shield	plastic film
Material - Pair shield finish	Al (Aluminium)
Material - Main shield	Cu (copper) braid
Material - Main shield finish	Sn (tin)
Flame retardancy	yes
Halogen free	yes
Oil resistance	yes
UV-resistance	yes



Data sheet

Page 4/5

Connection cable M12 plug angled - free line end 4-pole, D-coded 1.0 m

P/N

142M1D90010

EAN 4250184174974

2018-13-02

Technical Data

Environmental conditions

Temperature (min. - max.)

Temperature - Operating °C -30 - 90 °C

Temperature - Operating °F -22 - 194 °F

Particulate ingress interface 1 IP6X when plugged in

Liquid ingress/immersion interface 1 IPX7 when plugged in

Pollution degree interface 1 3

Approvals

RoHS compliant

The product meets the following standards

Connectors for electronic equipment

circular connector DIN EN 61076-2-101

Multi-element metallic cables used in analogue and digital communication and control DIN EN 50288-2-1

Test for vertical flame propagation for a single insulated wire or cable DIN EN 60332-1-2

Classifications

ETIM 5.0 EC002599

ETIM 6.0 EC002599

Packing details

Type of packaging 1 pc(s) / plastic bag



Data sheet

Page 5/5

Connection cable M12 plug angled - free line end 4-pole, D-coded 1.0 m

P/N

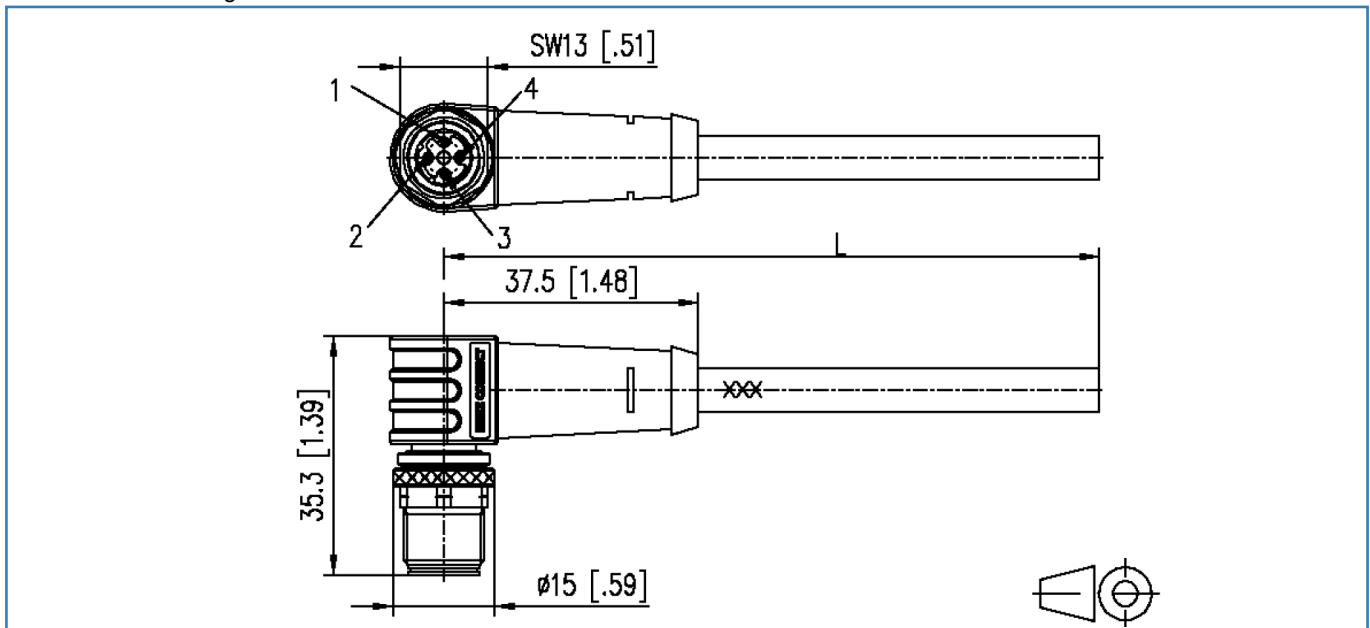
142M1D90010

EAN 4250184174974

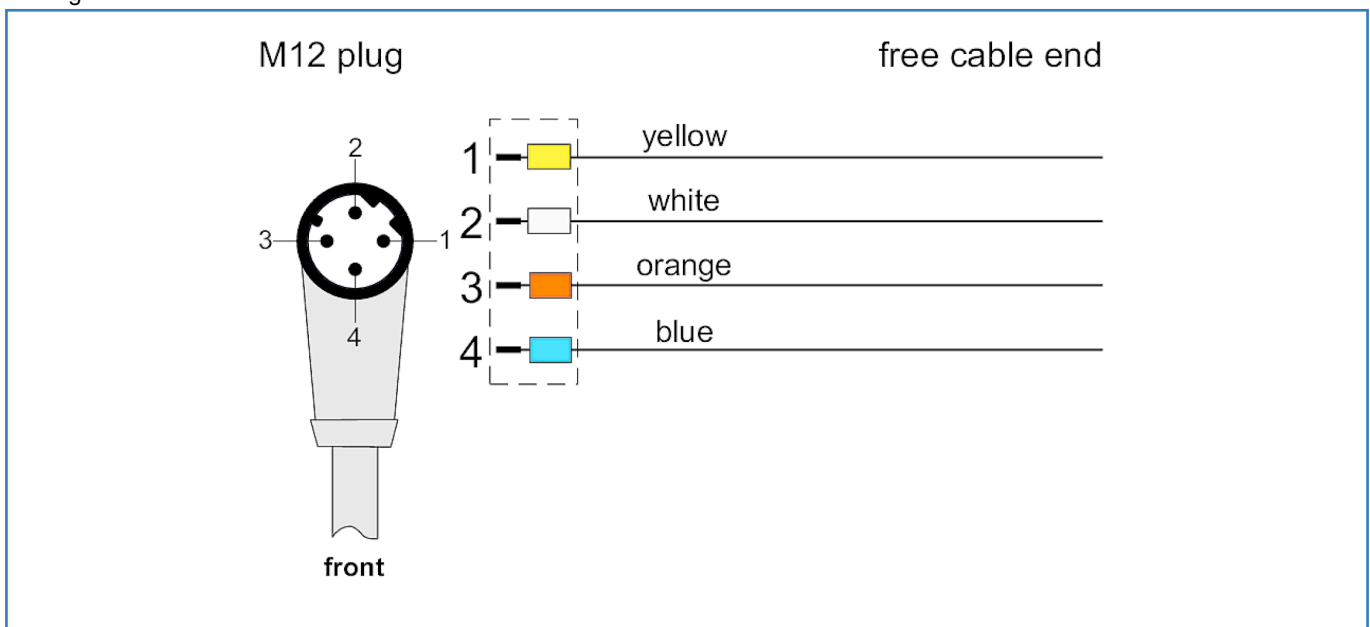
2018-13-02

Illustrations

Dimensional drawing



Wiring



X-ON Electronics

Largest Supplier of Electrical and Electronic Components

Click to view similar products for [Metz manufacturer](#):

Other Similar products are found below :

[142M4D95050](#) [ASP0631006](#) [4898-454G](#) [4895-454G](#) [4887-454G](#) [4897-454G](#) [ASP0460622](#) [142M2X25005](#) [ASP0440222](#) [1108861321](#)
[1108311319](#) [1108501319](#) [11089313](#) [834HTC-900ML](#) [130920-E](#) [150240C30610E](#) [110304412004](#) [1108831326](#) [150240C30310S](#) [135015-](#)
[SSC-E](#) [1528SBGT19E](#) [1401110012KE](#) [142M2X15010](#) [11085813](#) [810-500](#) [810-50](#) [31336104](#) [ASP0430922](#) [SP06502VBNF](#) [31217103](#)
[142M1D19020](#) [SR99S01VBNN0001](#) [31213102](#) [31251104](#) [AST0820406](#) [1108811319](#) [142M2XB5050](#) [834B-375ML](#) [841ER-1.17L](#)
[31009105](#) [31020205](#) [31024102](#) [31027103](#) [31383106](#) [130922-03-E](#) [130924-E](#) [11027605](#) [1108841319](#) [1108341319](#) [15024AD206-E](#)