



## Data sheet

Page 2/6

# Connection line M12 jack straight - RJ45 plug straight 4-pole, D-coded 1.0 m

P/N

142M4D25010

EAN 4251394600772

2018-26-02

## Technical Data

### General Data

Fields of application	Industrial Ethernet
Design	Ethernet-Connection line
Shielding	shielded
Transmission technology	Copper
Cable Type	S/UTP
Number of twisting elements	4
Twisting element	single core
Wiring	Profinet
Color coding fiber/ wire(s)	white/orange, white/blue, orange, blue
Color	green
Dimensions	
Dimension - Interface 1 (L)	52.00 mm
Dimension - Interface 1 (L)	2.047 in.
Dimension - Interface 2 (L)	45.50 mm
Dimension - Interface 2 (L)	1.791 in.
Cable length (m)	1.00 m
Weight	31 kg/km
Labeling option	identification label carrier

### Transmission characteristics

Category (ISO)	5
----------------	---

### Connections/interfaces

Connector technology interface 1	M12-jack
Connector technology interface 2	RJ45 plug
Coding interface 1	data systems technology tool
Number of positions/contacts interface 1	4
Number of positions/contacts interface 2	8P/4C
Termination data, stranded wire (min. - max.)	
Conductor cross section, stranded wire	AWG 26/19



## Data sheet

Page 3/6

# Connection line M12 jack straight - RJ45 plug straight 4-pole, D-coded 1.0 m

P/N

142M4D25010

EAN 4251394600772

2018-26-02

## Technical Data

### Connections/interfaces

Cable sheath diameter (min. - max.)

Cable sheath diameter 4.80 mm

Cable sheath diameter 0.189 in.

### Electrical characteristics

Current carrying capacity max. 4, max. 1 A

Insulation resistance min. 100 MOhm

### Mechanical characteristics

Maximum operating bending radius 19 mm

Maximum operating bending radius 0.748 in.

Maximum installation load 36 mm

Maximum installation load 1.417 in.

Shielding braid coverage 85 %

### Materials and material properties

Material - Conductor Cu (copper)

Material - Conductor Insulation polypropylene

Material - Cable jacket PUR

Material - Body interface 1 Plastics

Material - Body interface 2 Plastics

Material - Contact interface 1 CuSn (tin bronze)

Material - Contact interface 2 CuSn (tin bronze)

Material - Contact finish interface 1 Au (gold)

Material - Contact finish interface 2 Au (gold)

Material - Contact carriers interface 1 Plastics

Material - Contact carriers interface 2 Plastics

Material - Union nut interface 1 CuZn (brass)

Material - Union nut finish interface 1 Ni (nickel)

Material - Main shield Cu (copper) braid

Material - Main shield finish Sn (tin)

Flame retardancy yes

Halogen free yes

Silicone free yes

Oil resistance yes

## Data sheet

Page 4/6

### Connection line M12 jack straight - RJ45 plug straight 4-pole, D-coded 1.0 m

P/N

142M4D25010

EAN 4251394600772

2018-26-02

## Technical Data

### Materials and material properties

UV-resistance yes

### Environmental conditions

Temperature (min. - max.)

Temperature - Operating °C -30 - 70 °C

Temperature - Operating °F -22 - 158 °F

Particulate ingress interface 1 IP6X when plugged in

Liquid ingress/immersion interface 1 IPX5, IPX7, IPX8 when plugged in

Particulate ingress interface 2 IP2X im gesteckten Zustand

Liquid ingress/immersion interface 2 IPX0 when plugged in

Pollution degree interface 1 3

Pollution degree interface 2 1

### Approvals

RoHS compliant

### The product meets the following standards

Profinet yes

Connectors for electronic equipment

circular connector DIN EN 61076-2-101

Test for vertical flame propagation for a single insulated wire or cable DIN EN 60332-1-2

### Packing details

Type of packaging 1 pc(s) / plastic bag



Data sheet

Page 5/6

**Connection line M12 jack straight - RJ45 plug straight  
4-pole, D-coded 1.0 m**

P/N

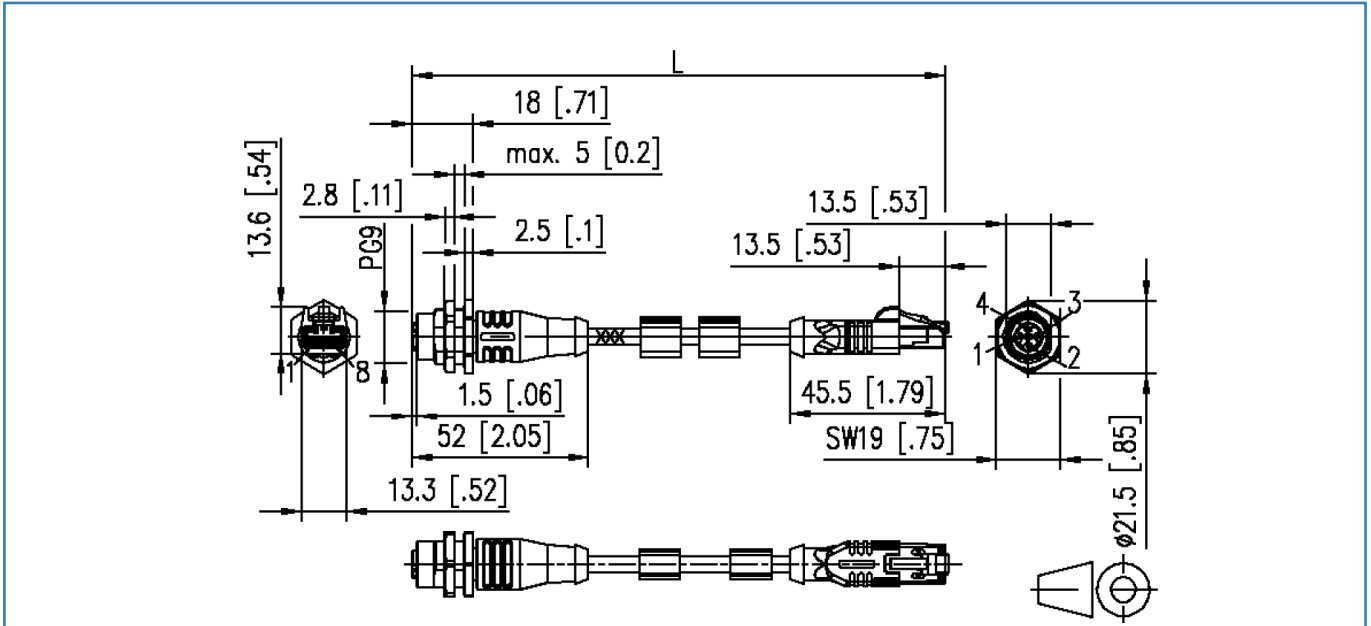
142M4D25010

EAN 4251394600772

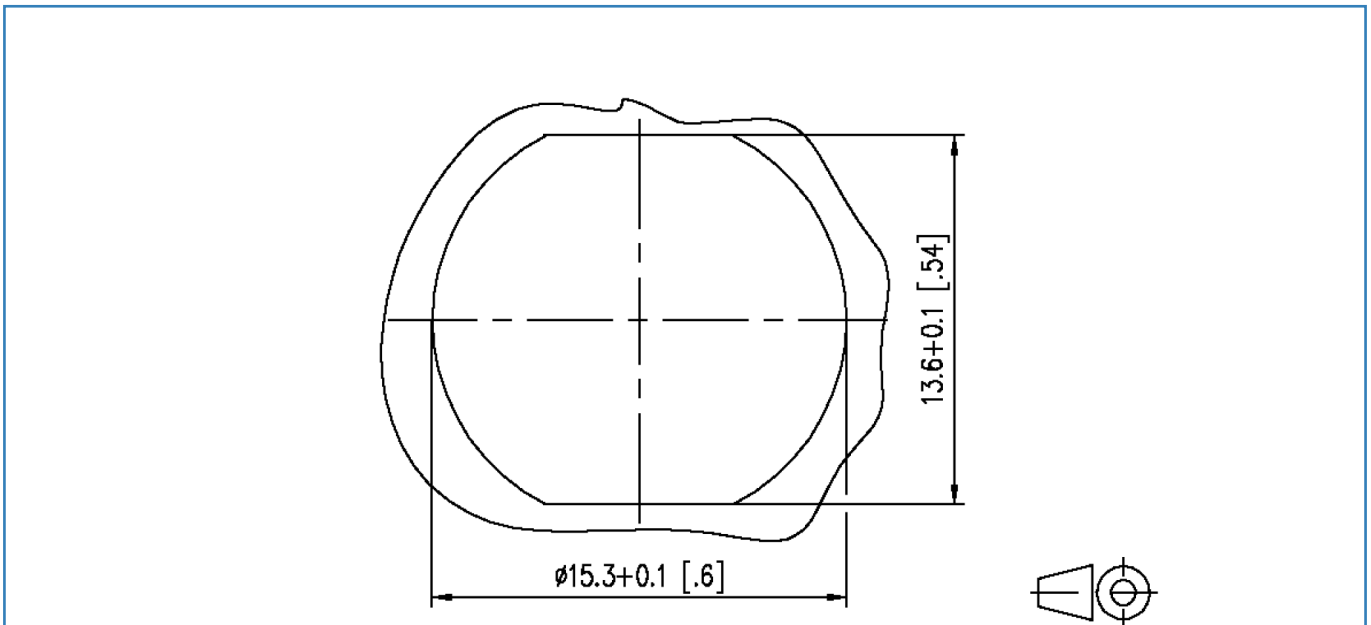
2018-26-02

**Illustrations**

Dimensional drawing



Cut-out



Data sheet

Page 6/6

## Connection line M12 jack straight - RJ45 plug straight 4-pole, D-coded 1.0 m

P/N

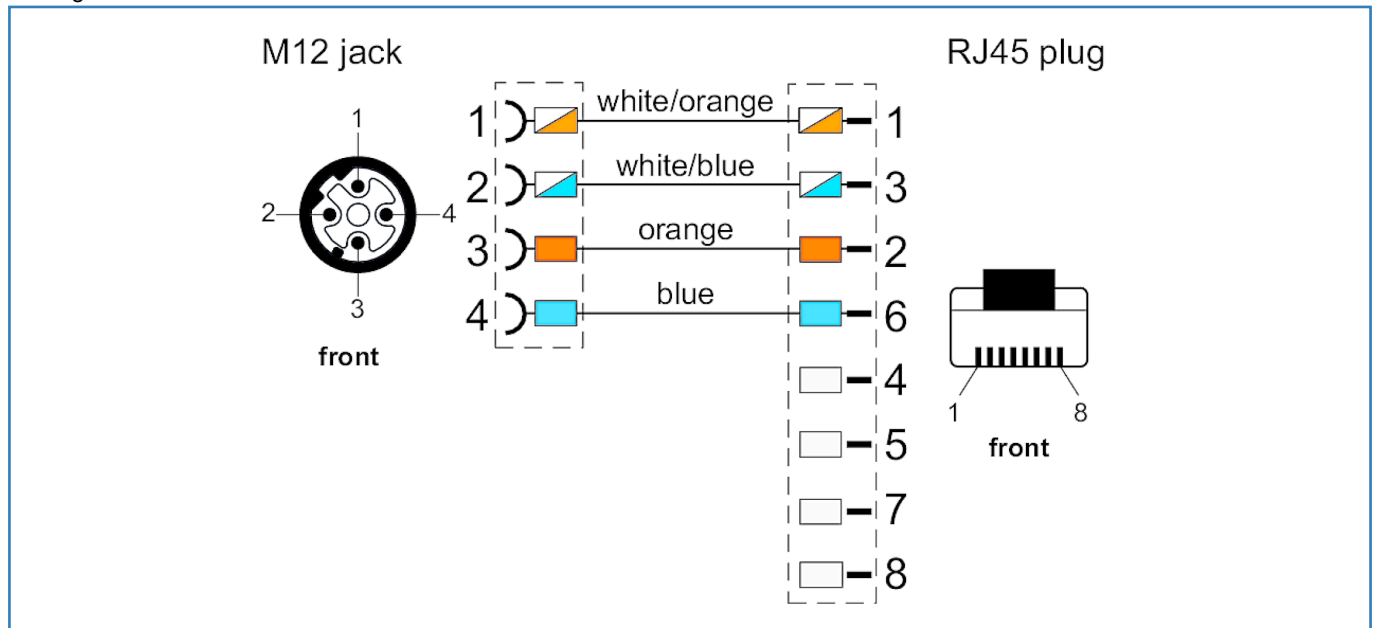
142M4D25010

EAN 4251394600772

2018-26-02

### Illustrations

Wiring



## X-ON Electronics

Largest Supplier of Electrical and Electronic Components

*Click to view similar products for Metz manufacturer:*

Other Similar products are found below :

[142M4D95050](#) [ASP0631006](#) [4898-454G](#) [4895-454G](#) [4887-454G](#) [4897-454G](#) [ASP0460622](#) [142M2X25005](#) [ASP0440222](#) [1108861321](#)  
[1108311319](#) [1108501319](#) [11089313](#) [834HTC-900ML](#) [130920-E](#) [150240C30610E](#) [110304412004](#) [1108831326](#) [150240C30310S](#) [135015-](#)  
[SSC-E](#) [1528SBGT19E](#) [1401110012KE](#) [142M2X15010](#) [11085813](#) [810-500](#) [810-50](#) [31336104](#) [ASP0430922](#) [SP06502VBNF](#) [31217103](#)  
[142M1D19020](#) [SR99S01VBNN0001](#) [31213102](#) [31251104](#) [AST0820406](#) [1108811319](#) [142M2XB5050](#) [834B-375ML](#) [841ER-1.17L](#)  
[31009105](#) [31020205](#) [31024102](#) [31027103](#) [31383106](#) [130922-03-E](#) [130924-E](#) [11027605](#) [1108841319](#) [1108341319](#) [15024AD206-E](#)