

Data sheet

Page 2/7

Connection line M12 plug straight - M12 jack straight 8-pole, X-coded 5.0 m

P/N

142M2X12050

EAN 4250184198352

2018-13-02

Technical Data

General Data

| | |
|-------------------------------------|--|
| Fields of application | Industrial Ethernet |
| Design | Ethernet-Connection line |
| Shielding | shielded |
| Transmission technology | Copper |
| Cable Type | S/FTP |
| Number of twisting elements | 4 |
| Twisting element | Pair |
| Wiring | 1 - 1 |
| Color coding fiber/ wire(s) | white/orange, orange, white/green, green, white/brown, brown, white/blue, blue |
| Color | green |
| Dimensions | |
| Dimension - Interface 1 (L x W x H) | 48.50 x 19.00 x 21.50 mm |
| Dimension - Interface 1 (L x W x H) | 1.909 x 0.748 x 0.846 in. |
| Dimension - Interface 2 (L x W x H) | 50.50 x 15.00 x 15.00 mm |
| Dimension - Interface 2 (L x W x H) | 1.988 x 0.591 x 0.591 in. |
| Cable length (m) | 5.00 m |
| Labeling option | identification label carrier |

Transmission characteristics

| | |
|----------------|---|
| Category (ISO) | 7 |
|----------------|---|

Connections/interfaces

| | |
|---|-----------------------|
| Connector technology interface 1 | M12-plug |
| Connector technology interface 2 | M12-jack |
| Coding interface 1 | X-coded |
| Coding interface 2 | X-coded |
| Number of positions/contacts interface 1 | 8 |
| Number of positions/contacts interface 2 | 8 |
| Termination data, stranded wire (min. - max.) | |
| Conductor cross section, stranded wire | AWG 26/7 |
| Conductor cross section, stranded wire | 0.141 mm ² |
| Conductor diameter, stranded wire (bare copper) | 0.483 mm |
| Conductor diameter, stranded wire (bare copper) | 0.019 in. |



Connection line M12 plug straight - M12 jack straight 8-pole, X-coded 5.0 m

P/N

142M2X12050

EAN 4250184198352

2018-13-02

Technical Data

Connections/interfaces

Cable sheath diameter (min. - max.)

Cable sheath diameter 6.40 mm

Cable sheath diameter 0.236 in.

Electrical characteristics

Current carrying capacity 0.5 A

Insulation resistance min. 100 MOhm

Mechanical characteristics

Maximum operating bending radius 64 mm

Maximum operating bending radius 2.52 in.

Maximum installation load 32 mm

Maximum installation load 1.26 in.

Shielding braid coverage 70 %

Materials and material properties

Material - Conductor Cu (copper)

Material - Conductor Insulation Polyethylen

Material - Cable jacket PUR

Material - Body interface 1 Plastics

Material - Body interface 2 Plastics

Material - Contact interface 1 CuZn (brass)

Material - Contact interface 2 CuZn (brass)

Material - Contact finish interface 1 Au (gold)

Material - Contact finish interface 2 Au (gold)

Material - Contact carriers interface 1 Plastics

Material - Contact carriers interface 2 Plastics

Material - Union nut interface 1 CuZn (brass)

Material - Union nut interface 2 CuZn (brass)

Material - Union nut finish interface 1 Ni (nickel)

Material - Union nut finish interface 2 Ni (nickel)

Material - Pair shield plastic film

Material - Pair shield finish Al (Aluminium)

Material - Main shield Cu (copper) braid

Material - Main shield finish Sn (tin)



Connection line M12 plug straight - M12 jack straight 8-pole, X-coded 5.0 m

P/N

142M2X12050

EAN 4250184198352

2018-13-02

Technical Data

Materials and material properties

| | |
|------------------|-----|
| Flame retardancy | yes |
| Halogen free | yes |
| Oil resistance | yes |
| UV-resistance | yes |

Environmental conditions

| | |
|--------------------------------------|----------------------------|
| Temperature (min. - max.) | |
| Temperature - Operating °C | -30 - 70 °C |
| Temperature - Operating °F | -22 - 158 °F |
| Particulate ingress interface 1 | IP6X when plugged in |
| Liquid ingress/immersion interface 1 | IPX5, IPX7 when plugged in |
| Particulate ingress interface 2 | IP6X when plugged in |
| Liquid ingress/immersion interface 2 | IPX5, IPX7 when plugged in |
| Pollution degree interface 1 | 2 |
| Pollution degree interface 2 | 2 |

Approvals

| | |
|------|-----------|
| RoHS | compliant |
|------|-----------|

The product meets the following standards

| | |
|--|--------------------|
| Connectors for electronic equipment | |
| Free and fixed connectors | IEC 60603-7-51 |
| circular connector | DIN EN 61076-2-109 |
| Multi-element metallic cables used in analogue and digital communication and control | DIN EN 50288-4-2 |
| Test for vertical flame propagation for a single insulated wire or cable | DIN EN 60332-1-2 |
| Measurement of smoke density of cables burning | IEC 61034 |

Classifications

| | |
|----------|----------|
| ETIM 5.0 | EC002599 |
| ETIM 6.0 | EC002599 |

Data sheet

Page 5/7

Connection line M12 plug straight - M12 jack straight 8-pole, X-coded 5.0 m

P/N

142M2X12050

EAN 4250184198352

2018-13-02

Technical Data

Packing details

| | |
|-------------------|-----------------------|
| Type of packaging | 1 pc(s) / plastic bag |
|-------------------|-----------------------|



Data sheet

Page 6/7

**Connection line M12 plug straight - M12 jack straight
8-pole, X-coded 5.0 m**

P/N

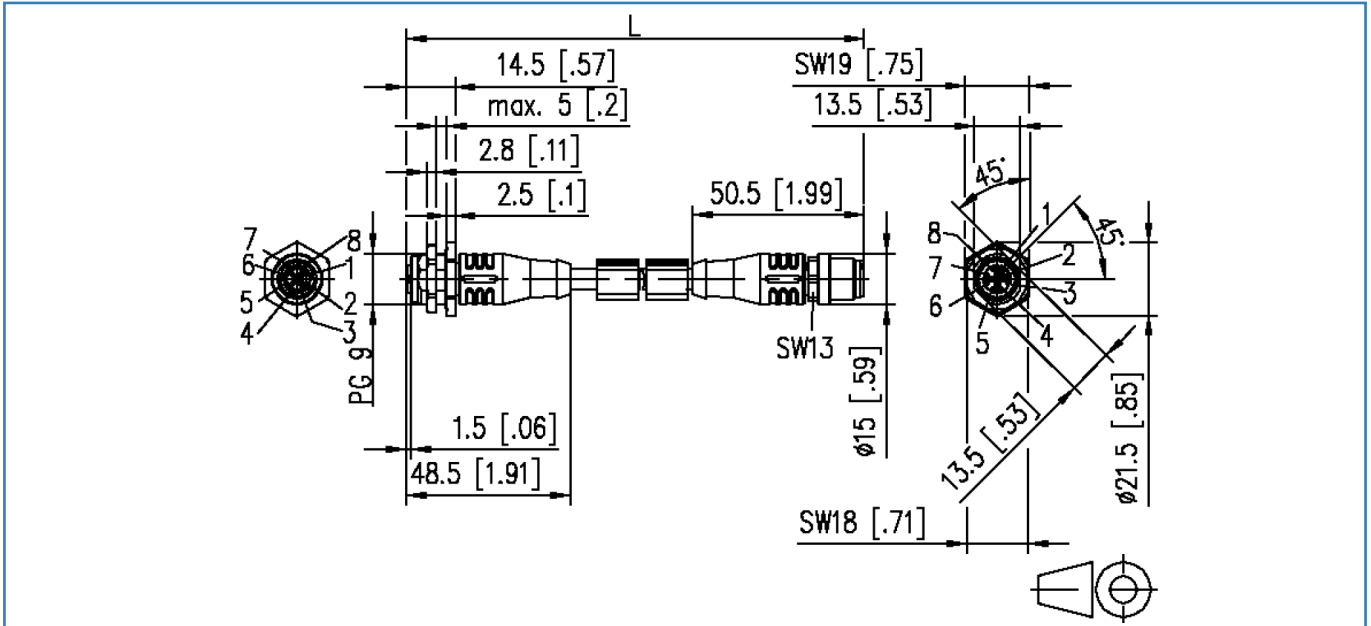
142M2X12050

EAN 4250184198352

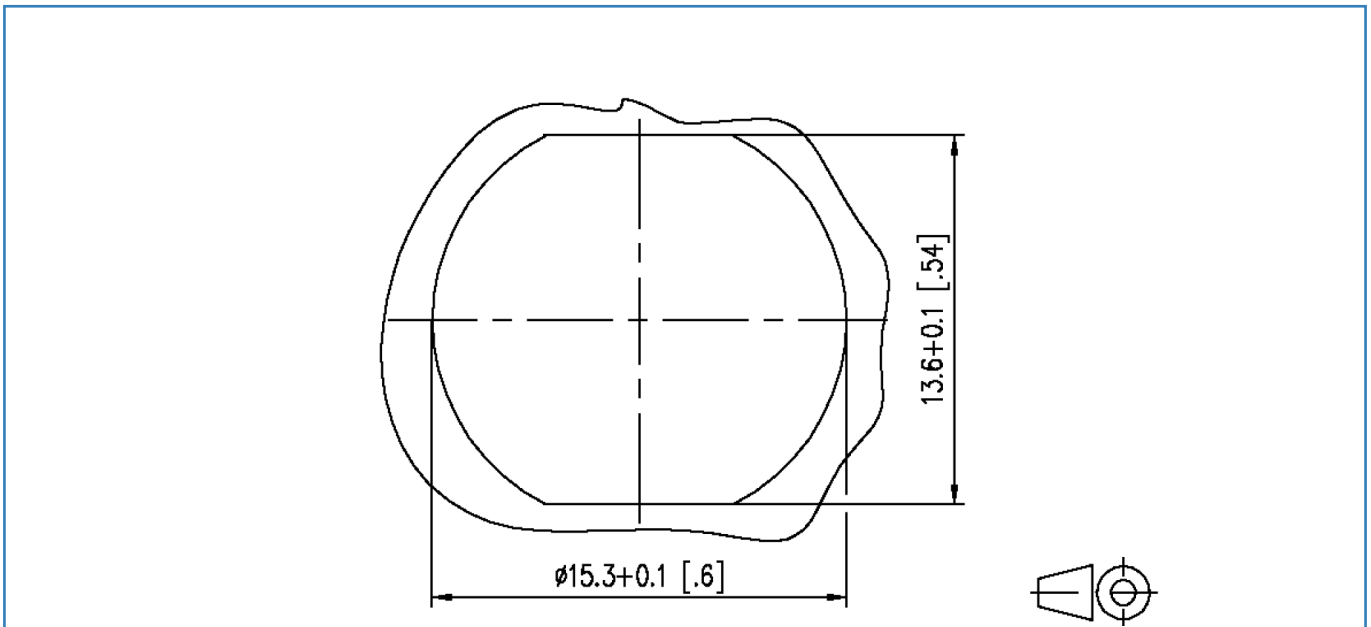
2018-13-02

Illustrations

Dimensional drawing



Cut-out



Data sheet

Page 7/7

Connection line M12 plug straight - M12 jack straight
8-pole, X-coded 5.0 m

P/N

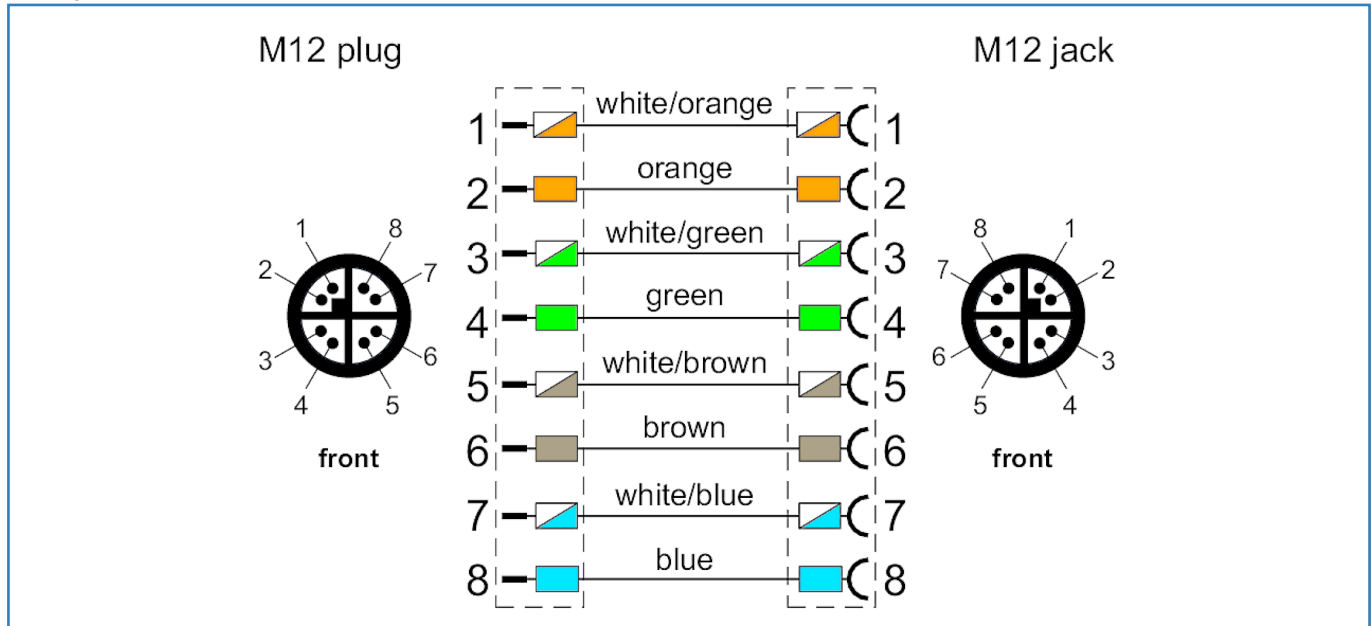
142M2X12050

EAN 4250184198352

2018-13-02

Illustrations

Wiring



X-ON Electronics

Largest Supplier of Electrical and Electronic Components

Click to view similar products for [Metz manufacturer](#):

Other Similar products are found below :

[142M4D95050](#) [ASP0631006](#) [4898-454G](#) [4895-454G](#) [4887-454G](#) [4897-454G](#) [ASP0460622](#) [142M2X25005](#) [ASP0440222](#) [1108861321](#)
[1108311319](#) [1108501319](#) [11089313](#) [834HTC-900ML](#) [130920-E](#) [150240C30610E](#) [110304412004](#) [1108831326](#) [150240C30310S](#) [135015-](#)
[SSC-E](#) [1528SBGT19E](#) [1401110012KE](#) [142M2X15010](#) [11085813](#) [810-500](#) [810-50](#) [31336104](#) [ASP0430922](#) [SP06502VBNF](#) [31217103](#)
[142M1D19020](#) [SR99S01VBNN0001](#) [31213102](#) [31251104](#) [AST0820406](#) [1108811319](#) [142M2XB5050](#) [834B-375ML](#) [841ER-1.17L](#)
[31009105](#) [31020205](#) [31024102](#) [31027103](#) [31383106](#) [130922-03-E](#) [130924-E](#) [11027605](#) [1108841319](#) [1108341319](#) [15024AD206-E](#)