

## Data sheet

### M12 Stecker D-kodiert, feldkonfektionierbar, gerade

Page 1/7

P/N

MNF881A115

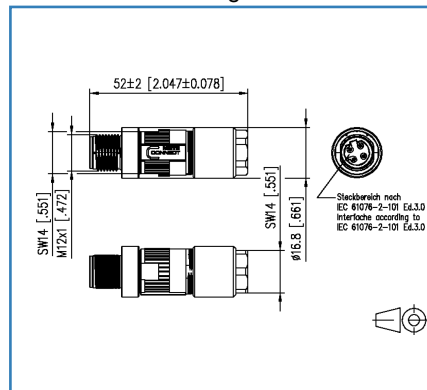
EAN 4250184190318

2017-26-10

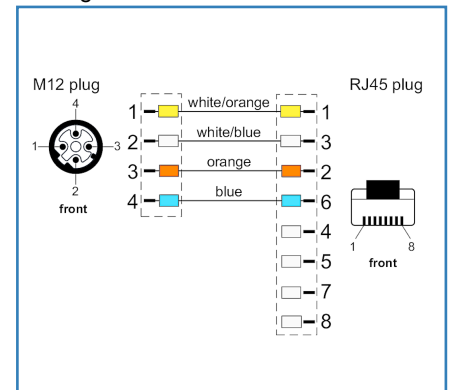
## Illustrations



Dimensional drawing



Wiring



See enlarged drawings at the end of document

## Product specification

- M12 Cat.5 D-coded plug based on IEC PAS 61076-2-101 and suitable for field packaging
- M12 field plug for AWG 22
- for a 4 wire cable connection
- 4-wire M12 plug for AWG 22 to be assembled in the field
- connection of AWG 26/7 - 22/7; AWG 24/1 - 22/1 possible
- solid copper wire diameter from 0.4 to 0.64 mm
- stranded copper wire diameter from 0.48 to 0.76 mm
- conductor diameter up to 1.6 mm
- cable jacket from 5.0 to 9.7 mm
- consists of only 2 parts
- easy assembly - connection without special tools
- zinc die-cast housing for industrial use
- suitable for applications in the railway industry



### Technical Data

#### General Data

Design	Plugs
Shielding	shielded
Transmission technology	Copper
Dimensions	
Dimension (L x W x H)	52.00 x 16.80 x 16.80 mm
Dimension (L x W x H)	2.047 x 0.661 x 0.661 in.
Field assembly ability	yes
Labeling option	on housing

#### Transmission characteristics

Category (ISO)	5
Category (TIA)	5

#### Connections/interfaces

Connector technology interface 1	IDC-connection
Connector technology interface 2	M12-plug
Number of ports interface 2	1
Number of ports interface 2 equipped	1
Number of positions/contacts interface 1	4
Number of positions/contacts interface 2	4
Termination data, solid wire (min. - max.)	
Conductor cross section, solid wire	AWG 24/1 - 22/1
Conductor cross section, solid wire	0.205 - 0.324 mm <sup>2</sup>
Conductor diameter, solid wire (bare copper)	0.511 - 0.643 mm
Conductor diameter, solid wire (bare copper)	0.020 - 0.025 in.
Termination data, stranded wire (min. - max.)	
Conductor cross section, stranded wire	AWG 26/7 - 22/7
Conductor cross section, stranded wire	0.141 - 0.355 mm <sup>2</sup>
Conductor diameter, stranded wire (bare copper)	0.483 - 0.762 mm
Conductor diameter, stranded wire (bare copper)	0.019 - 0.030 in.



## M12 Stecker D-kodiert, feldkonfektionierbar, gerade

P/N

MNF881A115

EAN 4250184190318

2017-26-10

### Technical Data

#### Connections/interfaces

Core diameter (min. - max.)

Core diameter (conductor with insulation) 0.85 - 1.60 mm

Core diameter (conductor with insulation) 0.033 - 0.063 in.

Cable sheath diameter (min. - max.)

Cable sheath diameter 5.00 - 9.70 mm

Cable sheath diameter 0.197 - 0.382 in.

Cable access/outlet

straight M12

#### Electrical characteristics

Current carrying capacity max. 1 A

Rated voltage 60 V

Insulation resistance min. 100 MOhm

Dielectric strength conductor-conductor (secondary) 1400 V DC

#### Mechanical characteristics

Mounting method screwable

Life - Number of mating cycles min. 100

#### Materials and material properties

Material - Housing GD-Zn (zinc die-cast)

Material - Contact CuZn (brass)

Material - Contact finish Ni + Au (nickel-gold)

Material - Shield CuSn (tin bronze)

Material - Shield finish Sn (tin)

Material - Stuffer cap PA UL94-V0

Material - Finish Ni (nickel)

#### Environmental conditions



## M12 Stecker D-kodiert, feldkonfektionierbar, gerade

P/N

MNF881A115

EAN 4250184190318

2017-26-10

### Technical Data

#### Environmental conditions

Temperature (min. - max.)	
Temperature - Storage °C	-40 - 85 °C
Temperature - Storage °F	-40 - 185 °F
Temperature - Operating °C	-40 - 85 °C
Temperature - Operating °F	-40 - 185 °F
Particulate ingress	IP6X when plugged in
Particulate ingress interface 1	IP2X
Liquid ingress/immersion	IPX7 when plugged in
Liquid ingress/immersion interface 1	IPX0
Particulate ingress interface 2	IP6X when plugged in
Liquid ingress/immersion interface 2	IPX7 when plugged in
Damp heat	25 °C / +40 °C / 93% RH // 5 cycles
Overvoltage category	III
Pollution degree	2
Electromagnetic measurement	E <sub>2</sub>
Shock	490 m/s <sup>2</sup>

#### Approvals

RoHS	compliant
------	-----------

#### The product meets the following standards

Application-specific communications cabling systems	
Profinet	yes
Connectors for electronic equipment	
circular connector	DIN EN 61076-2-101
Railway applications	
Electronic equipment used on rolling stock	DIN EN 50155
Fire protection on railway vehicles	DIN EN 45545-2

#### Classifications

ETIM 6.0	EC001121
----------	----------

## M12 Stecker D-kodiert, feldkonfektionierbar, gerade

P/N

MNF881A115

EAN 4250184190318

2017-26-10

### Technical Data

#### Packing details

Type of packaging	10 pc(s) / box
Packaging dimension (W x H x D)	247.00 x 161.00 x 58.00 mm
Packaging dimension (W x H x D)	9.724 x 6.339 x 2.283 in.



Data sheet

Page 6/7

## M12 Stecker D-kodiert, feldkonfektionierbar, gerade

P/N

MNF881A115

EAN 4250184190318

2017-26-10

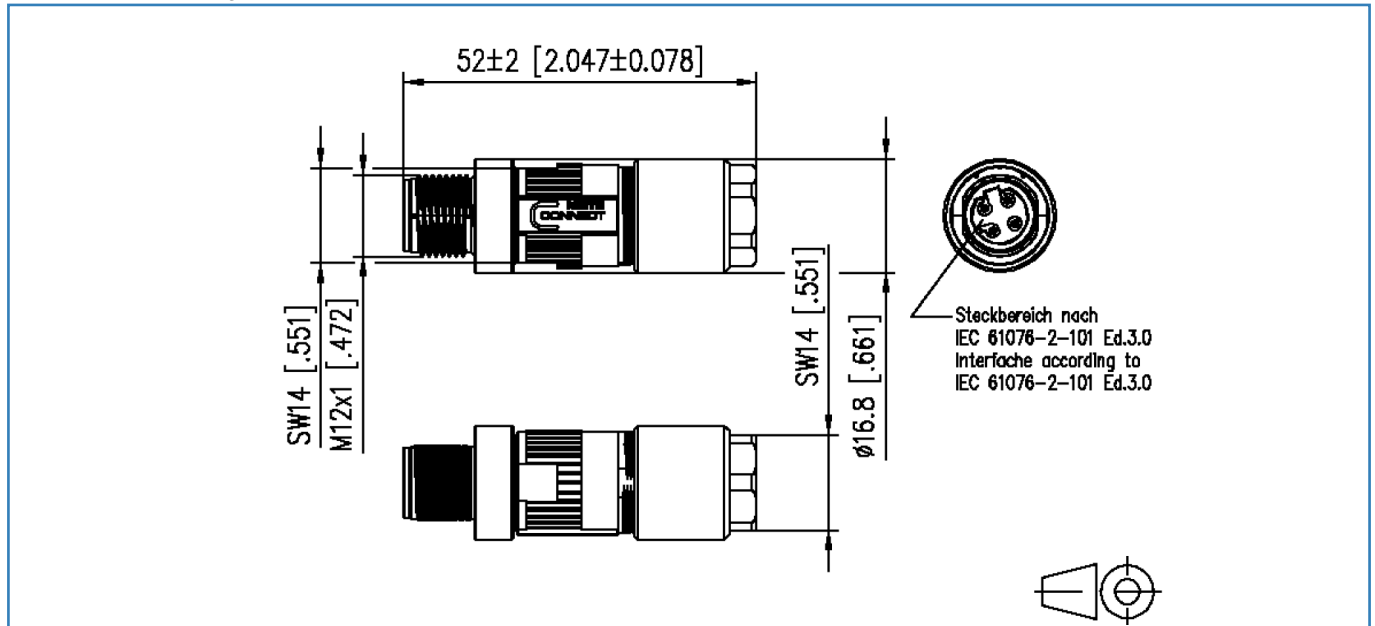
### Accessories

P/N	Designation
700669	M12 plug protection cap IP54

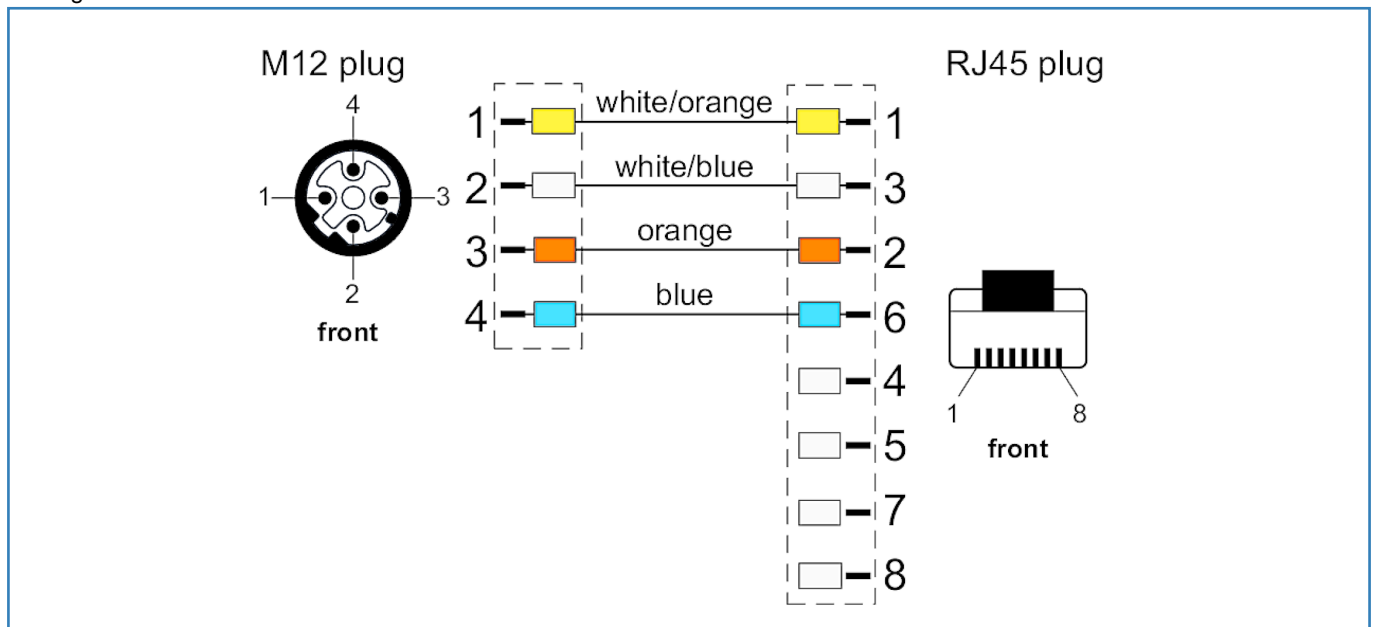


Illustrations

Dimensional drawing



Wiring



© 2017 METZ CONNECT - Technische Änderungen vorbehalten! Subject to modifications! Sous réserve de modifications techniques!

## X-ON Electronics

Largest Supplier of Electrical and Electronic Components

*Click to view similar products for [Metz manufacturer](#):*

Other Similar products are found below :

[142M4D95050](#) [ASP0631006](#) [4898-454G](#) [4895-454G](#) [4887-454G](#) [4897-454G](#) [ASP0460622](#) [142M2X25005](#) [ASP0440222](#) [1108861321](#)  
[1108311319](#) [1108501319](#) [11089313](#) [834HTC-900ML](#) [130920-E](#) [150240C30610E](#) [110304412004](#) [1108831326](#) [150240C30310S](#) [135015-](#)  
[SSC-E](#) [1528SBGT19E](#) [1401110012KE](#) [142M2X15010](#) [11085813](#) [810-500](#) [810-50](#) [31336104](#) [ASP0430922](#) [SP06502VBNF](#) [31217103](#)  
[142M1D19020](#) [SR99S01VBNN0001](#) [31213102](#) [31251104](#) [AST0820406](#) [1108811319](#) [142M2XB5050](#) [834B-375ML](#) [841ER-1.17L](#)  
[31009105](#) [31020205](#) [31024102](#) [31027103](#) [31383106](#) [130922-03-E](#) [130924-E](#) [11027605](#) [1108841319](#) [1108341319](#) [15024AD206-E](#)