

Data sheet

Cat.7 cable connector

Page 1/4

P/N
130863-E

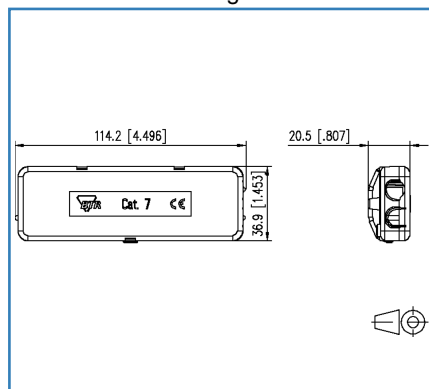
EAN 4250184104193

2017-17-10

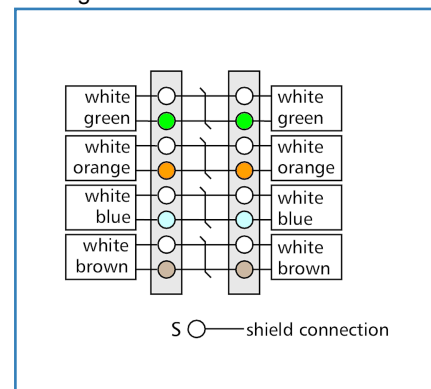
Illustrations



Dimensional drawing



Wiring



See enlarged drawings at the end of document

Product specification

- for connecting/extending data cables up to Cat.7_A
- class E_A to ISO/IEC 11801 Ed.2.2:2011-06 is complied with in combination with Cat.6, Cat.6_A, Cat.7 and Cat.7_A cables and Cat.6 connectors
- connection of data lines AWG 26/1 to 22/1 (solid wire)
- cable feed from one or two sides
- cable sharing, i.e. splitting one 8-wire cable into two 4-wire cables (one cable tie required each on input and output side)
- fully shielded metal housing
- strain relief and separate captive 360° shield connection
- 2 bore holes for wall mounting
- IP67 protection due to special shrink tube



Data sheet Cat.7 cable connector

Page 2/4

P/N

130863-E

EAN 4250184104193

2017-17-10

Technical Data

General Data

Design	Cable connector
Shielding	shielded
Transmission technology	Copper
Color	metallike
Dimensions	
Dimension (L x W x H)	114.20 x 20.50 x 36.90 mm
Dimension (L x W x H)	4.496 x 0.807 x 1.453 in.

Transmission characteristics

Category (ISO)	7
Class (ISO/IEC)	E _A

Connections/interfaces

Connector technology interface 1	LSA terminal block
Connector technology interface 2	LSA terminal block
Number of ports interface 1	1
Number of ports interface 2	1
Number of equipped ports interface 1	1
Number of ports interface 2 equipped	1
Termination data, solid wire (min. - max.)	
Conductor cross section, solid wire	AWG 26/1 - 22/1
Conductor cross section, solid wire	0.128 - 0.324 mm ²
Conductor diameter, solid wire (bare copper)	0.409 - 0.643 mm
Conductor diameter, solid wire (bare copper)	0.016 - 0.025 in.
Cable sheath diameter (min. - max.)	
Cable sheath diameter	5.5 - 9.6 mm
Cable sheath diameter	0.197 - 0.354 in.
Cable access/outlet	from one or two sides
Reconnectibility	yes, if cross section is greater or the same

Electrical characteristics

Rated voltage	60 V
Through resistance	max. 5 mOhm
Insulation resistance	min. 100 MOhm
Dielectric strength conductor-conductor (primarily)	750 V DC



Data sheet Cat.7 cable connector

Page 3/4

P/N
130863-E
EAN 4250184104193

2017-17-10

Technical Data

Mechanical characteristics

Life - Number of mating cycles min. 100

Materials and material properties

Material - Housing GD-Zn (zinc die-cast)

Environmental conditions

Temperature (min. - max.)

Temperature - Storage °C -25 - 85 °C

Temperature - Storage °F -13 - 185 °F

Temperature - Operating °C -25 - 85 °C

Temperature - Operating °F -13 - 185 °F

Shock 490 m/s²

Classifications

ETIM 5.0 EC001121

ETIM 6.0 EC001121

Packing details

Type of packaging 1 pc(s) / plastic bag

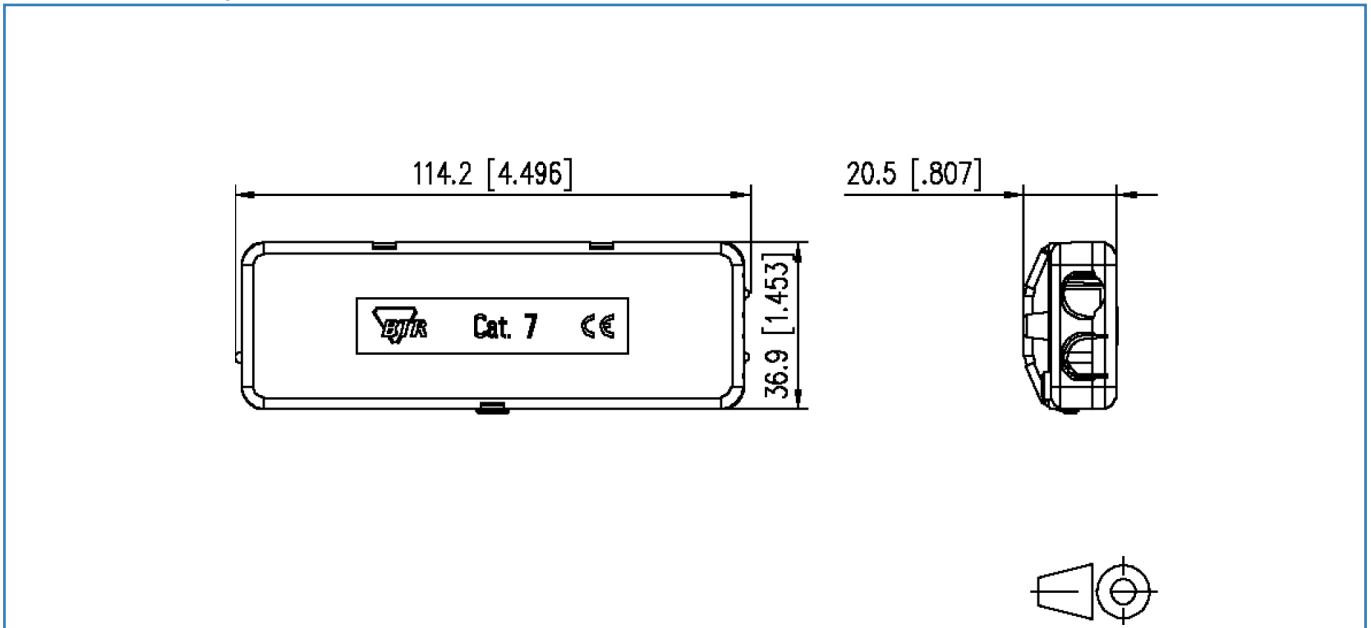
Packaging unit - Weight (gram) 168.00 g

Packaging unit - Weight (pound) 0.37 lb

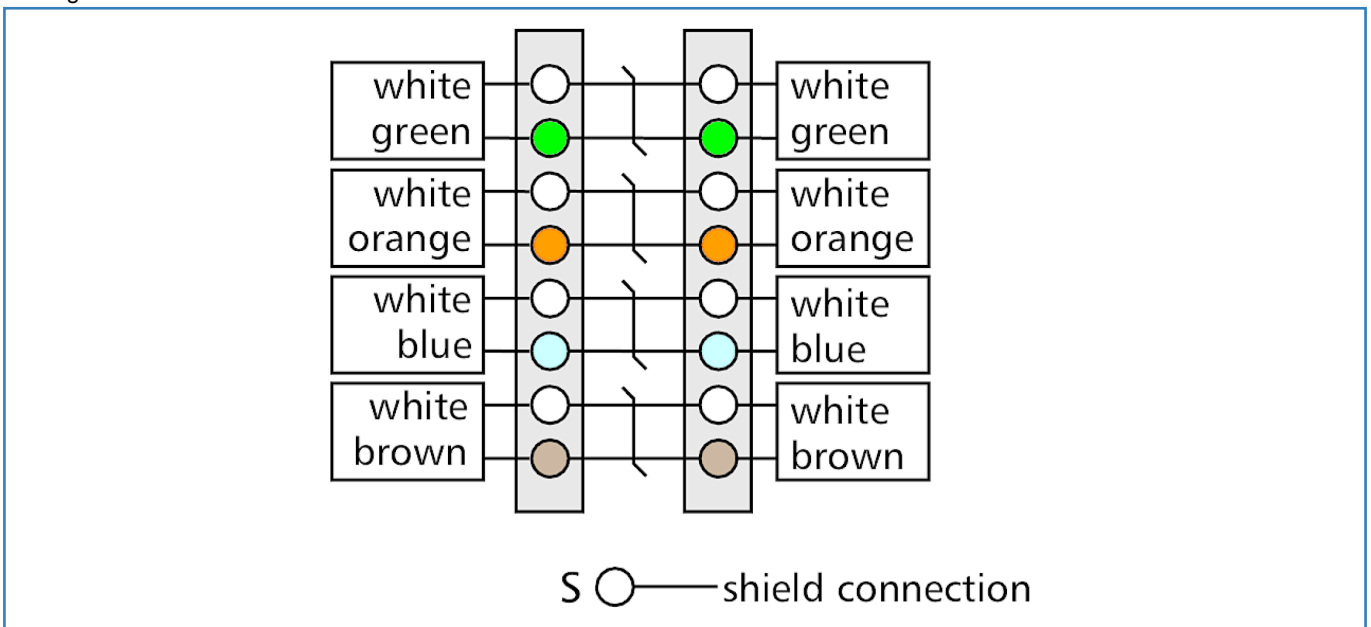


Illustrations

Dimensional drawing



Wiring



X-ON Electronics

Largest Supplier of Electrical and Electronic Components

Click to view similar products for [Metz manufacturer](#):

Other Similar products are found below :

[142M4D95050](#) [ASP0631006](#) [4898-454G](#) [4895-454G](#) [4887-454G](#) [4897-454G](#) [ASP0460622](#) [142M2X25005](#) [ASP0440222](#) [1108861321](#)
[1108311319](#) [1108501319](#) [11089313](#) [834HTC-900ML](#) [130920-E](#) [150240C30610E](#) [110304412004](#) [1108831326](#) [150240C30310S](#) [135015-](#)
[SSC-E](#) [1528SBGT19E](#) [1401110012KE](#) [142M2X15010](#) [11085813](#) [810-500](#) [810-50](#) [31336104](#) [ASP0430922](#) [SP06502VBNF](#) [31217103](#)
[142M1D19020](#) [SR99S01VBNN0001](#) [31213102](#) [31251104](#) [AST0820406](#) [1108811319](#) [142M2XB5050](#) [834B-375ML](#) [841ER-1.17L](#)
[31009105](#) [31020205](#) [31024102](#) [31027103](#) [31383106](#) [130922-03-E](#) [130924-E](#) [11027605](#) [1108841319](#) [1108341319](#) [15024AD206-E](#)