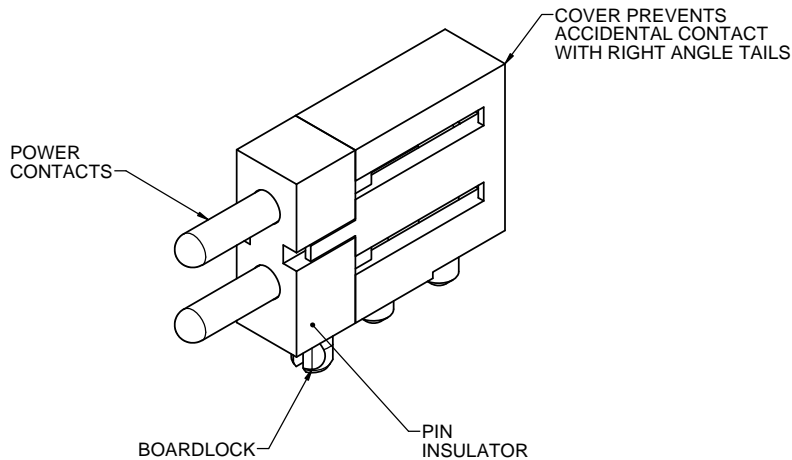
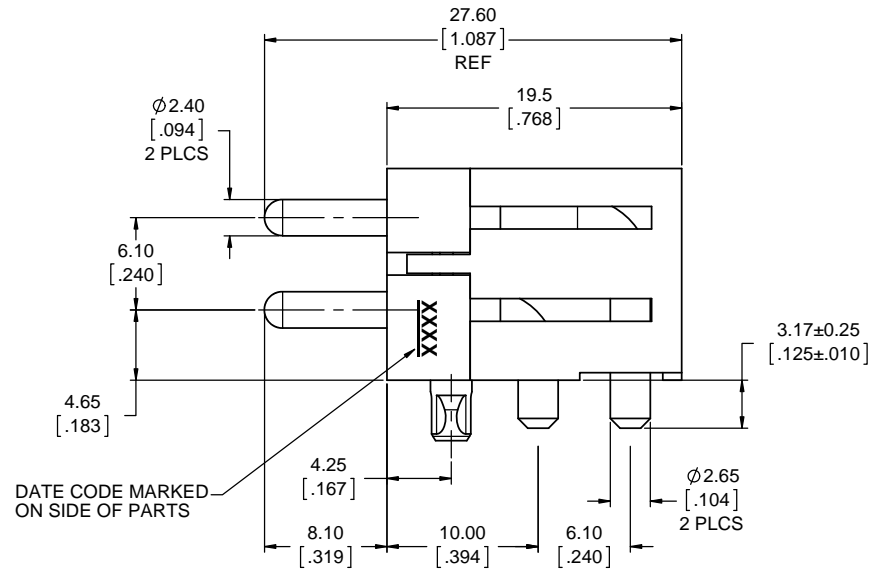
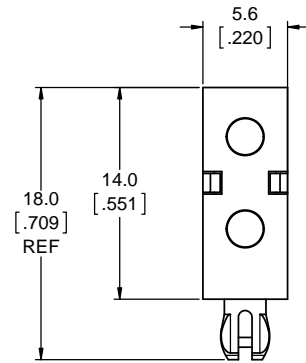


| REVISIONS |                               |          |       |
|-----------|-------------------------------|----------|-------|
| REV       | DESCRIPTION, ECN, EAR NO.     | DATE     | APP'D |
| E         | PROPOSAL DRAWING              | JUN07/13 | S.M.  |
| F         | PROPOSAL DRAWING              | JUN25/13 | A.G.  |
| G         | ADJUSTED SOCKET TAIL POSITION | SEP09/13 | S.M.  |



DATE CODE MARKED ON SIDE OF PARTS

**NOTES:**

- MATERIALS: ALL MATERIALS ARE RoHS COMPLIANT PER EU DIRECTIVE 2011/65/EU AND AMENDMENTS.
  - HOUSING: HIGH TEMPERATURE GLASS FILLED NYLON, UL FLAMMABILITY RATING 94V-0, COLOUR BLACK
  - POWER CONTACTS: COPPER ALLOY PLATED WITH 5.08µm (200µ") SILVER OVER 1.27µm (50µ") MIN NICKEL. DRY LUBRICANT APPLIED TO CONTACT SURFACE AFTER PLATING.
- ELECTRICAL CHARACTERISTICS:
  - CURRENT RATING: 35A PER CONTACT
  - OPERATING TEMPERATURE: -55°C TO +105°C
  - DIELECTRIC WITHSTANDING VOLTAGE: 1500VDC
  - INSULATION RESISTANCE: 5000 MEGOHMS



|                            |                        |         |          |
|----------------------------|------------------------|---------|----------|
| UNLESS SPECIFIED OTHERWISE | DRAWN                  | A.ESPIE | MAY08/13 |
| PRIMARY UNITS MILLIMETERS  | CHECKED                | S.MUGAN | MAY08/13 |
| SECONDARY UNITS INCHES     | M.E. APP'D             |         |          |
| REFERENCE IN PARENTHESES   | Q.A. APP'D             |         |          |
| GENERAL TOLERANCES         | DWG APPR.              |         |          |
| 1 DECIMAL PLACE ±0.25      | ENG. REL. NO.          |         |          |
| 2 DECIMAL PLACES ±0.10     | REF.                   |         |          |
| 3 DECIMAL PLACES           | THIRD ANGLE PROJECTION |         |          |
| ANGULAR DEGREES            | DO NOT SCALE DRAWING   |         |          |

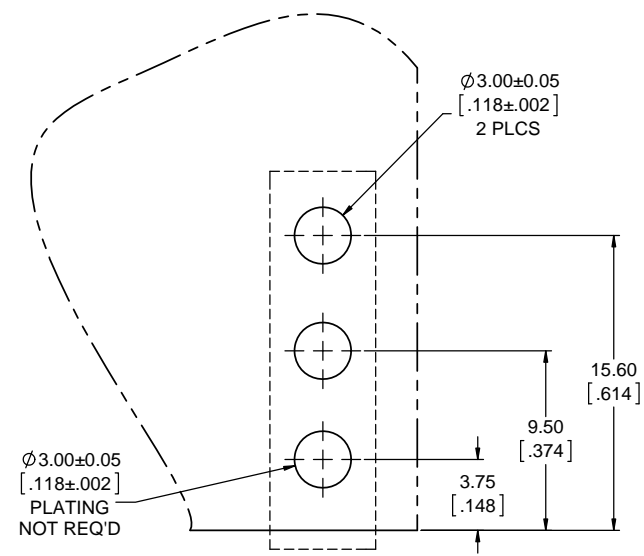
**Amphenol Canada Corp.**  
www.amphenolcanada.com

**DWR SERIES SLIM DRAWER, 2 POWER COMPACT PIN CONNECTOR, 2.4mm RADSOK, PCB TAIL TERMINATION, RoHS COMPLIANT**

DWG. NO. **P-DWR-P1P-BQ200-1A6** REV **G**

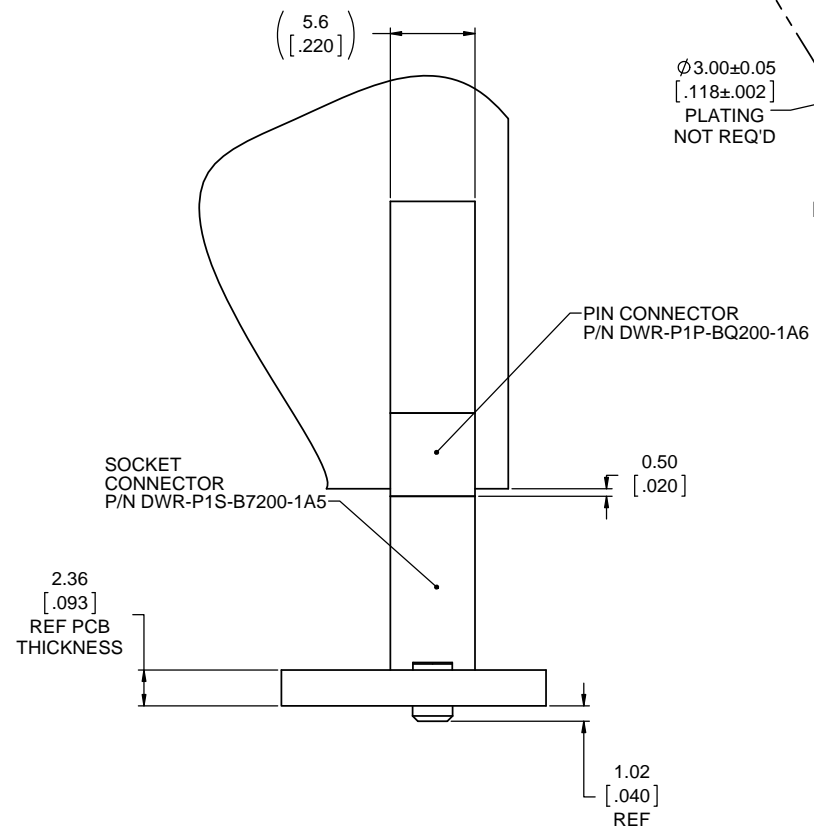
CODE ID NO. 03554 DWG SIZE: X SCALE: 4:1 SHEET 1 OF 2

| REVISIONS |                               |          |       |
|-----------|-------------------------------|----------|-------|
| REV       | DESCRIPTION, ECN, EAR NO.     | DATE     | APP'D |
| E         | PROPOSAL DRAWING              | JUN07/13 | S.M.  |
| F         | PROPOSAL DRAWING              | JUN25/13 | A.G.  |
| G         | ADJUSTED SOCKET TAIL POSITION | SEP09/13 | S.M.  |

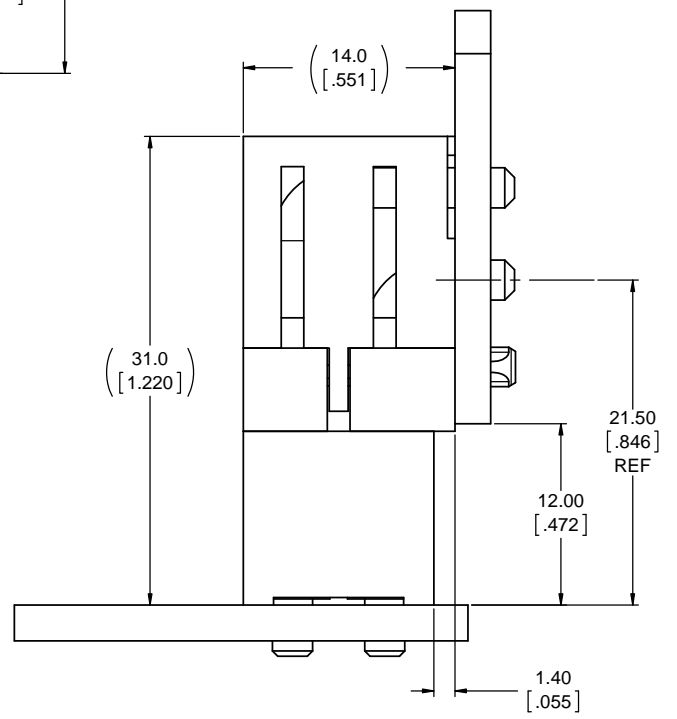


**RECOMMENDED PCB LAYOUT**  
(COMPONENT SIDE OF BOARD)  
SCALE 5:1

LOCATE HOLES  
 $\varnothing 0.13 [0.005]$  DIA  
 POSITION DIMENSIONS  
 ARE BASIC



**MATED ASSEMBLY**



|                             |                        |         |          |
|-----------------------------|------------------------|---------|----------|
| UNLESS SPECIFIED OTHERWISE  | DRAWN                  | A.ESPIE | MAY08/13 |
| PRIMARY UNITS MILLIMETERS   | CHECKED                | S.MUGAN | MAY08/13 |
| SECONDARY INCHES            | M.E. APP'D             |         |          |
| REFERENCE IN PARENTHESES    | Q.A. APP'D             |         |          |
| GENERAL TOLERANCES          | DWG APPR.              |         |          |
| 1 DECIMAL PLACE             | ENG. REL. NO.          |         |          |
| 2 DECIMAL PLACES $\pm 0.20$ | REF.                   |         |          |
| 3 DECIMAL PLACES            | THIRD ANGLE PROJECTION |         |          |
| ANGULAR DEGREES             | DO NOT SCALE DRAWING   |         |          |

**Amphenol Canada Corp.**  
 www.amphenolcanada.com  
**DWR SERIES SLIM DRAWER, 2 POWER COMPACT PIN CONNECTOR, 2.4mm RADSOK, PCB TAIL TERMINATION, RoHS COMPLIANT**

DWG. NO. **P-DWR-P1P-BQ200-1A6** REV **G**

CODE ID NO. 03554 DWG SIZE: X SCALE: 4:1 SHEET 2 OF 2

## X-ON Electronics

Largest Supplier of Electrical and Electronic Components

*Click to view similar products for [Amphenol](#) manufacturer:*

Other Similar products are found below :

[PT01SE-16-8P\(476\)](#) [EN2997SE01006MN](#) [CTV06RW-11-2JB-LC](#) [JTPQ00RT-16-35P\(453\)](#) [MS3106B18-11PX](#) [GTS030-18-11S-116](#) [10-507142-843](#) [D38999/26JD19SALC](#) [D38999/26JD18PA](#) [JT07RT-22-35P](#) [D38999/26JD18SALC](#) [D38999/26JD18JA](#) [18-428](#) [JT07RT-22-35PC](#) [PT02E8-2S-072](#) [GTS06-14S-9SZ-025](#) [97-3102A22-10SW-958](#) [97-3102A22-10SX-958](#) [97-3102A22-10SY-958](#) [97-3102A22-5SW-959](#) [97-3102A22-5SX-959](#) [TVS06RF-17-35AD](#) [MS27468E25F43S](#) [97-3101A14S-9PX-959](#) [97-3101A14S-9PW-959](#) [JT07RT-8-35S](#) [MS27468E15F19PLC](#) [D38999/26JD35JA](#) [GTC030-28-21P-025-A31](#) [AIB2-22-14SC-072](#) [AIB2-22-22SC-RDS-072](#) [TVPS00RK-11-2AC](#) [AIB2-22-22PC-072](#) [100-007-213-002-001](#) [MS3108B28-15PY](#) [JT07RT-22-14PB-453](#) [GTS00AF28-7S](#) [2M801-010-01M16-5SA](#) [TV07DZ-23-151S-S1](#) [TV07DZ-23-151S-S1AD](#) [TVS06RF-21-79S\(LC\)](#) [TVS07RF-21-79S\(LC\)](#) [GTS00A-28-84S](#) [PT03SE-14-12PLC](#) [GTCL01-24-2SW-025-B30](#) [AIB30-14S-5SC-L](#) [AIB30-14S-5SXC-L](#) [97-3108A14S-5PX](#) [TVS07RF-19-11BB](#) [CTVS06RF-17-6BB](#)