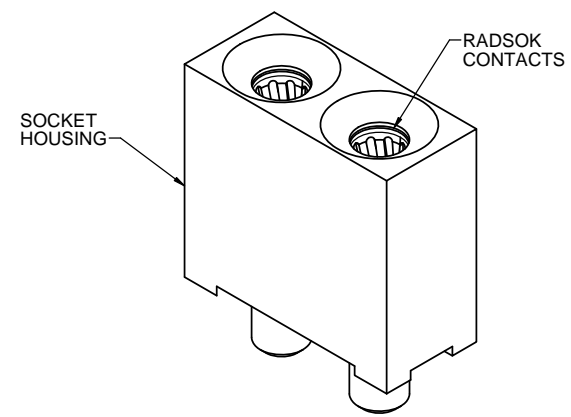
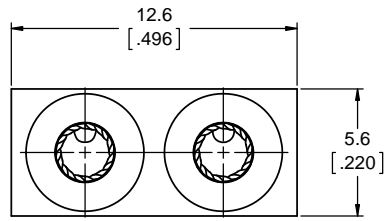
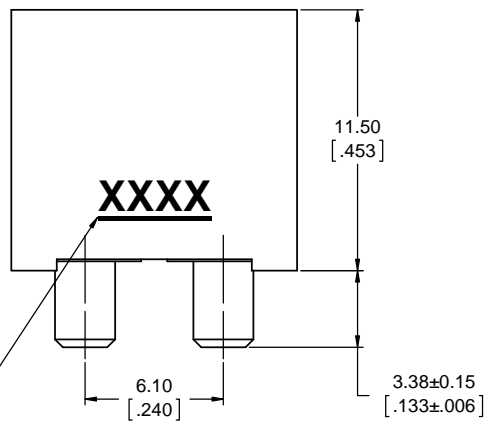


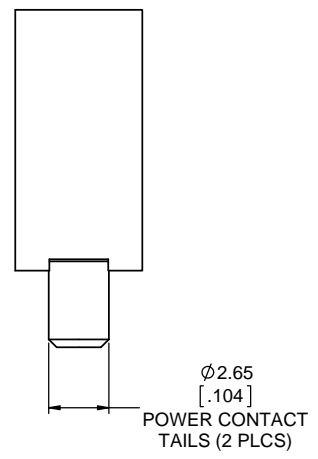
REVISIONS			
REV	DESCRIPTION, ECN, EAR NO.	DATE	APP'D
E	PROPOSAL DRAWING	JUN07/13	S.M.
F	PROPOSAL DRAWING	JUN25/13	A.G.
G	SOCKET DEPTH AND TOLERANCE	SEP09/13	S.M.



P/N DWR-P1S-B7200-1A5



DATE CODE MARKED ON SIDE OF PARTS



NOTES:

- MATERIALS: ALL MATERIALS ARE RoHS COMPLIANT PER EU DIRECTIVE 2011/65/EU AND AMENDMENTS.**
 - HOUSING: HIGH TEMPERATURE GLASS FILLED NYLON, UL FLAMMABILITY RATING 94V-0, COLOUR BLACK
 - POWER CONTACTS: COPPER ALLOY PLATED WITH 5.08µm (200µ") SILVER OVER 1.27µm (50µ") MIN NICKEL.
- ELECTRICAL CHARACTERISTICS:**
 - CURRENT RATING: 35A PER CONTACT
 - OPERATING TEMPERATURE: -55°C TO +105°C
 - DIELECTRIC WITHSTANDING VOLTAGE: 1500VDC
 - INSULATION RESISTANCE: 5000 MEGOHMS



UNLESS SPECIFIED OTHERWISE	DRAWN	A.ESPIE	MAY08/13
PRIMARY UNITS MILLIMETERS	CHECKED	S.MUGAN	MAY08/13
SECONDARY UNITS INCHES	M.E. APP'D		
REFERENCE IN PARENTHESES	Q.A. APP'D		
GENERAL TOLERANCES	DWG APPR.		
1 DECIMAL PLACE ±0.25	ENG. REL. NO.		
2 DECIMAL PLACES ±0.10	REF.		
3 DECIMAL PLACES	THIRD ANGLE PROJECTION		
ANGULAR DEGREES	DO NOT SCALE DRAWING		

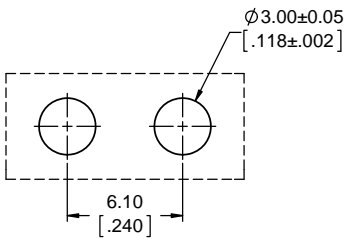
Amphenol Canada Corp.
www.amphenolcanada.com

DWR SERIES SLIM DRAWER, 2 POWER COMPACT SOCKET CONNECTOR, 2.4mm RADSOK, PCB TAIL TERMINATION, RoHS COMPLIANT

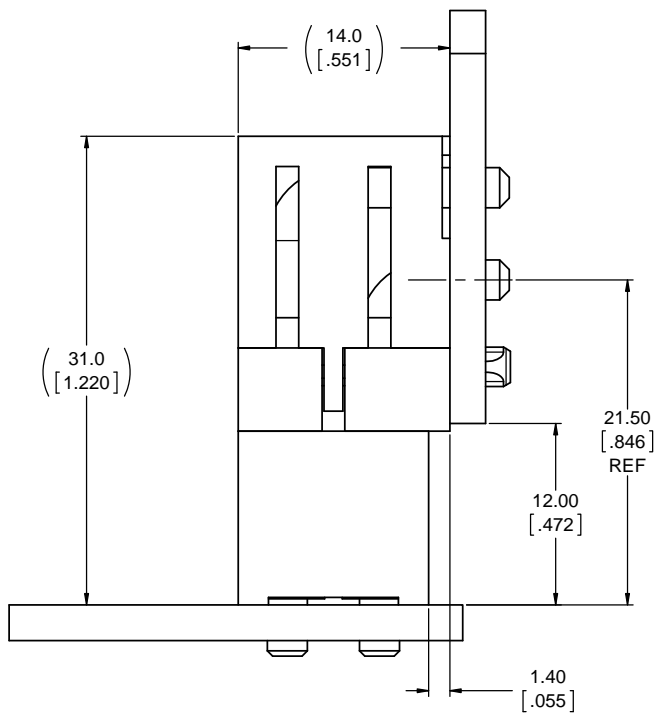
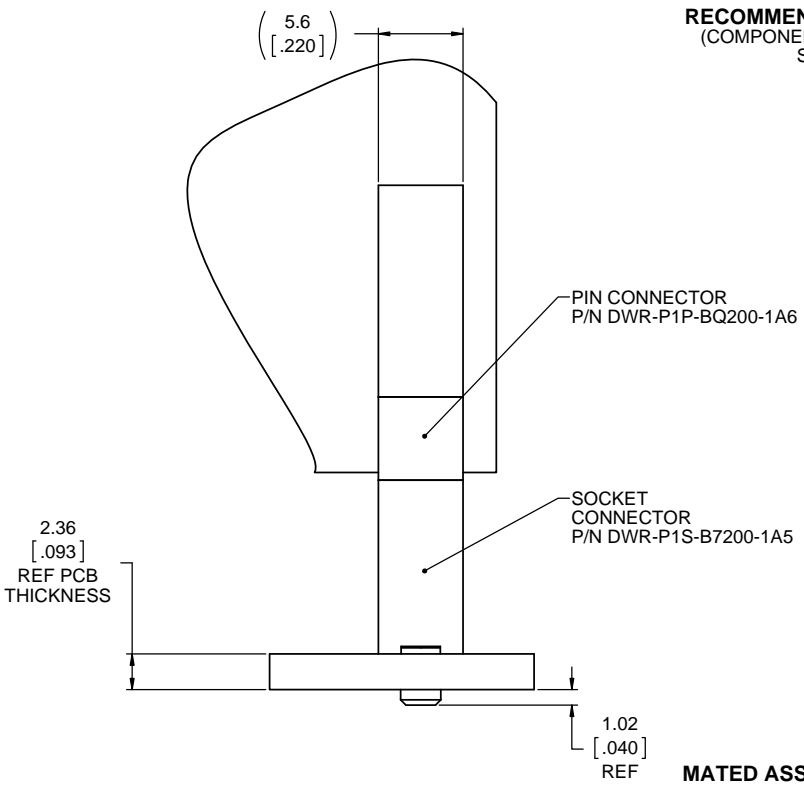
DWG. NO. **P-DWR-P1S-B7200-1A5** REV **G**

CODE ID NO. 03554 DWG SIZE: X SCALE: 6:1 SHEET 1 OF 2

REVISIONS			
REV	DESCRIPTION, ECN, EAR NO.	DATE	APP'D
E	PROPOSAL DRAWING	JUN07/13	S.M.
F	PROPOSAL DRAWING	JUN25/13	A.G.
G	SOCKET DEPTH AND TOLERANCE	SEP09/13	S.M.



RECOMMENDED PCB LAYOUT
(COMPONENT SIDE OF BOARD)
SCALE 5:1



MATED ASSEMBLY



UNLESS SPECIFIED OTHERWISE	DRAWN	A.ESPIE	MAY08/13
PRIMARY UNITS MILLIMETERS	CHECKED	S.MUGAN	MAY08/13
SECONDARY UNITS INCHES	M.E. APP'D		
REFERENCE IN PARENTHESES	Q.A. APP'D		
GENERAL TOLERANCES	DWG APPR.		
1 DECIMAL PLACE	ENG. REL. NO.		
2 DECIMAL PLACES ± 0.20	REF.		
3 DECIMAL PLACES	THIRD ANGLE PROJECTION		
ANGULAR DEGREES	DO NOT SCALE DRAWING		

Amphenol Canada Corp.
www.amphenolcanada.com

DWR SERIES SLIM DRAWER, 2 POWER COMPACT SOCKET CONNECTOR, 2.4mm RADSOK, PCB TAIL TERMINATION, RoHS COMPLIANT

DWG. NO. **P-DWR-P1S-B7200-1A5** REV **G**

CODE ID NO. 03554 DWG SIZE: X SCALE: 4:1 SHEET 2 OF 2

X-ON Electronics

Largest Supplier of Electrical and Electronic Components

Click to view similar products for [Amphenol manufacturer](#):

Other Similar products are found below :

[PT01SE-16-8P\(476\)](#) [EN2997SE01006MN](#) [CTV06RW-11-2JB-LC](#) [JTPQ00RT-16-35P\(453\)](#) [MS3106B18-11PX](#) [GTS030-18-11S-116](#) [10-507142-843](#) [D38999/26JD19SALC](#) [D38999/26JD18PA](#) [JT07RT-22-35P](#) [D38999/26JD18SALC](#) [D38999/26JD18JA](#) [18-428](#) [JT07RT-22-35PC](#) [PT02E8-2S-072](#) [GTS06-14S-9SZ-025](#) [97-3102A22-10SW-958](#) [97-3102A22-10SX-958](#) [97-3102A22-10SY-958](#) [97-3102A22-5SW-959](#) [97-3102A22-5SX-959](#) [TVS06RF-17-35AD](#) [MS27468E25F43S](#) [97-3101A14S-9PX-959](#) [97-3101A14S-9PW-959](#) [JT07RT-8-35S](#) [MS27468E15F19PLC](#) [D38999/26JD35JA](#) [GTC030-28-21P-025-A31](#) [AIB2-22-14SC-072](#) [AIB2-22-22SC-RDS-072](#) [TVPS00RK-11-2AC](#) [AIB2-22-22PC-072](#) [100-007-213-002-001](#) [MS3108B28-15PY](#) [JT07RT-22-14PB-453](#) [GTS00AF28-7S](#) [2M801-010-01M16-5SA](#) [TV07DZ-23-151S-S1](#) [TV07DZ-23-151S-S1AD](#) [TVS06RF-21-79S\(LC\)](#) [TVS07RF-21-79S\(LC\)](#) [GTS00A-28-84S](#) [PT03SE-14-12PLC](#) [GTCL01-24-2SW-025-B30](#) [AIB30-14S-5SC-L](#) [AIB30-14S-5SXC-L](#) [97-3108A14S-5PX](#) [TVS07RF-19-11BB](#) [CTVS06RF-17-6BB](#)