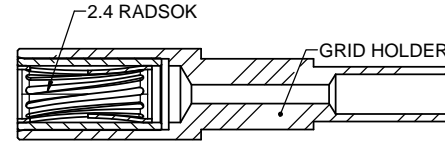
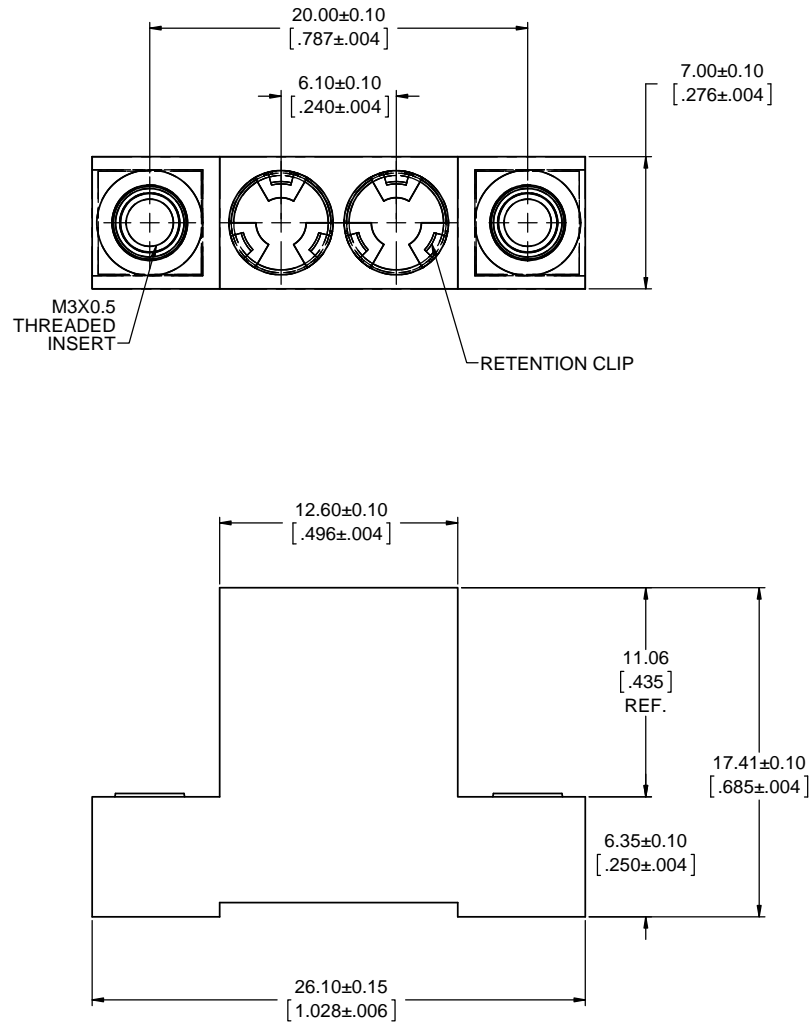
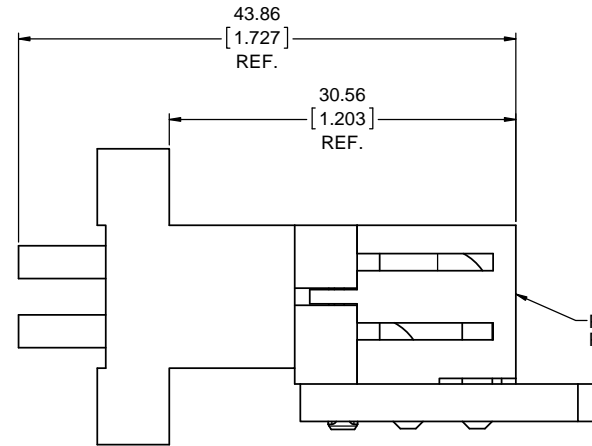
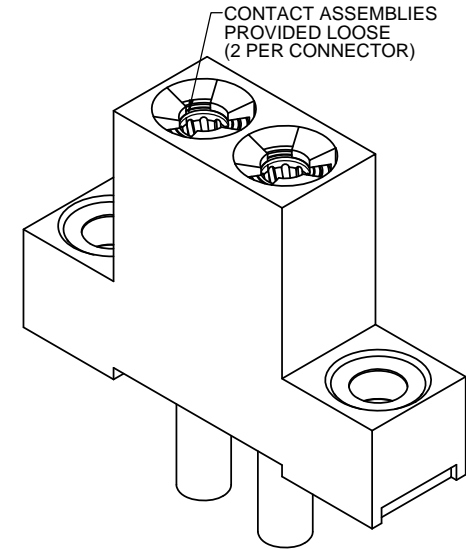


REVISIONS			
REV	DESCRIPTION, ECN, EAR NO.	DATE	APP'D
C	ADJUSTED TOLERANCES	SEP05/13	S.M.
D	HOUSING HEIGHT	OCT31/13	S.M.
E	HOUSING MATERIAL CHANGE	NOV27/13	S.M.
F	CURRENT TO MATCH 18 PIN	MAR03/15	S.M.



SOCKET CONTACT ASSEMBLY. (SECTION VIEW)  
 SEE NOTE 4



PIN AND SOCKET CONNECTORS MATED

PIN CONNECTOR PART NO. DWR-P1P-BQ200-1A7

NOTES:

- MATERIALS: ALL MATERIALS ARE RoHS COMPLIANT PER EU DIRECTIVE 2011/65/EU
  - HOUSING: HIGH TEMPERATURE GLASS FILLED LCP, UL FLAMABILITY RATING 94V-0 COLOUR BLACK
  - RADSOK POWER CONTACTS: COPPER ALLOY PLATED WITH 5.08µm (200µ") SILVER OVER 1.27µm (50µ") MIN NICKEL
- ELECTRICAL CHARACTERISTICS
  - CURRENT RATING: 18A PER CONTACT
  - OPERATING TEMPERATURE: -55°C TO +105°C
  - DIELECTRIC WITHSTANDING VOLTAGE: 1500 VDC
  - INSULATION RESISTANCE: 5000 MEGAOHMS
- CRIMP #16 AWG WIRE TO CONTACTS BEFORE ASSEMBLY INTO HOUSING
- SOCKET CONTACT ASSEMBLIES SUPPLIED BULK PACKED



UNLESS SPECIFIED OTHERWISE	DRAWN	C.KWOK	SEP4/13
PRIMARY UNITS MILLIMETERS	CHECKED	S.MUGAN	SEP4/13
SECONDARY UNITS INCHES	M.E. APP'D		
REFERENCE IN PARENTHESES	Q.A. APP'D		
GENERAL TOLERANCES	DWG APPR.		
1 DECIMAL PLACE	ENG. REL. NO.		
2 DECIMAL PLACES ±0.20	REF.		
3 DECIMAL PLACES XXXXXX	THIRD ANGLE PROJECTION		
ANGULAR DEGREES ±5°	DO NOT SCALE DRAWING		

**Amphenol Canada Corp.**  
 www.amphenolcanada.com  
 DWR SERIES SLIM DRAWER, 2 POWER, SOCKET CONNECTOR, 16 AWG, CRIMP TERMINATION  
 RoHS COMPLIANT

DWG. NO.	REV
P-DWR-P1S-C1200-1A5	F
CODE ID NO. 03554	DWG SIZE: X
SCALE: 5:1	SHEET 1 OF 1

## X-ON Electronics

Largest Supplier of Electrical and Electronic Components

*Click to view similar products for [Amphenol](#) manufacturer:*

Other Similar products are found below :

[PT01SE-16-8P\(476\)](#) [EN2997SE01006MN](#) [CTV06RW-11-2JB-LC](#) [JTPQ00RT-16-35P\(453\)](#) [MS3106B18-11PX](#) [GTS030-18-11S-116](#) [10-507142-843](#) [D38999/26JD19SALC](#) [D38999/26JD18PA](#) [JT07RT-22-35P](#) [D38999/26JD18SALC](#) [D38999/26JD18JA](#) [18-428](#) [JT07RT-22-35PC](#) [PT02E8-2S-072](#) [GTS06-14S-9SZ-025](#) [97-3102A22-10SW-958](#) [97-3102A22-10SX-958](#) [97-3102A22-10SY-958](#) [97-3102A22-5SW-959](#) [97-3102A22-5SX-959](#) [TVS06RF-17-35AD](#) [MS27468E25F43S](#) [97-3101A14S-9PX-959](#) [97-3101A14S-9PW-959](#) [JT07RT-8-35S](#) [MS27468E15F19PLC](#) [D38999/26JD35JA](#) [GTC030-28-21P-025-A31](#) [AIB2-22-14SC-072](#) [AIB2-22-22SC-RDS-072](#) [TVPS00RK-11-2AC](#) [AIB2-22-22PC-072](#) [100-007-213-002-001](#) [MS3108B28-15PY](#) [JT07RT-22-14PB-453](#) [GTS00AF28-7S](#) [2M801-010-01M16-5SA](#) [TV07DZ-23-151S-S1](#) [TV07DZ-23-151S-S1AD](#) [TVS06RF-21-79S\(LC\)](#) [TVS07RF-21-79S\(LC\)](#) [GTS00A-28-84S](#) [PT03SE-14-12PLC](#) [GTCL01-24-2SW-025-B30](#) [AIB30-14S-5SC-L](#) [AIB30-14S-5SXC-L](#) [97-3108A14S-5PX](#) [TVS07RF-19-11BB](#) [CTVS06RF-17-6BB](#)