

## Category 6 Surface Mount Socket



### Category 6 surface mount tool-less socket (SKH1, SKH2, SKH4)

These surface mount sockets enable Category 6 outlets to be quickly installed without the need for additional back box or trunking.

#### Features

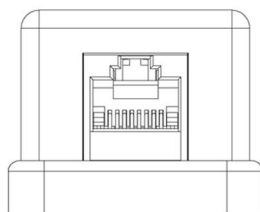
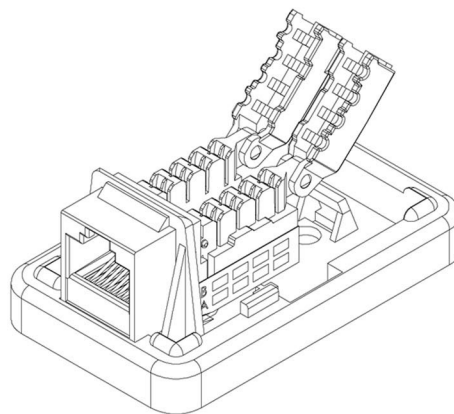
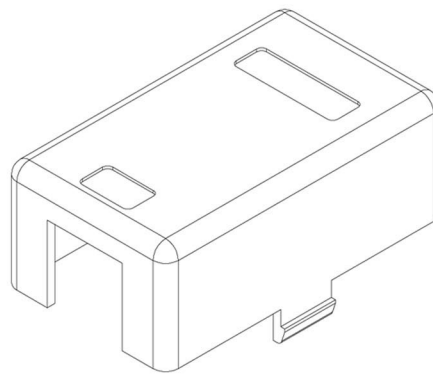
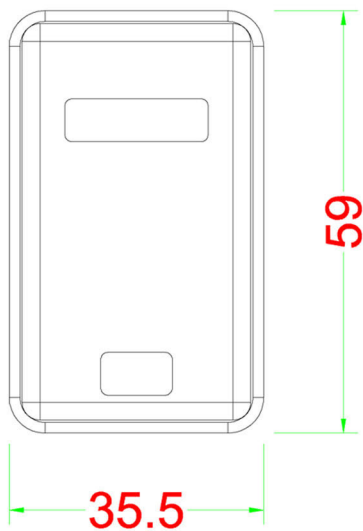
- High performance data throughput, meets Category 6 data transfer rates at permanent link level
- Utilises unshielded Category 6 keystone with easy, rapid tool-less termination
- Cable routing 180°
- Supplied with cable ties + adhesive pads for mounting

#### Specifications

- Colour: White
- Materials:
  - Housing: Fireproof ABS UL 94V-0
  - Socket:
    - Body: ABS UL 94V-0
    - Contact: 50µ"/1.27µm gold plating over nickel plated phosphor bronze

Product Code	Dimensions (LxWxH)	Weight (Approximately)	Adhesive pads
SKH1	59 x 35.5 x 28.5 mm	24g	45 x 25 mm
SKH2	59.0 x 61.5 x 28.5 mm	40g	45 x 40 mm
SKH4	84.0 x 114.0 x 29.5 mm	112g	45 x 40 mm (2)

ROHS Compliant



**Performance:**

Meets C6 EIA/TIA 568

**Materials:**

Body : Fireproof  
Jack : 8p8c 5  
PCB : FR-4 / U  
IDC Cap : Fireproof  
IDC Body : Fireproof  
IDC Pin : Tinne

**IDC Description : F**

To

Al

**Electrical Specifica**

Insulation Resistance

Contact Resistance : 2

Current Rating : 1.5 A

DC Resistance : 0.1 o

Withstanding Voltage

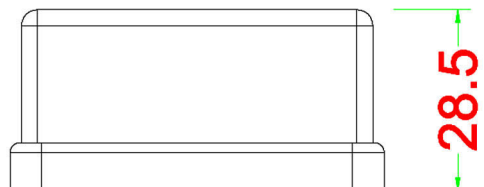
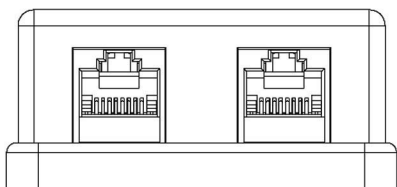
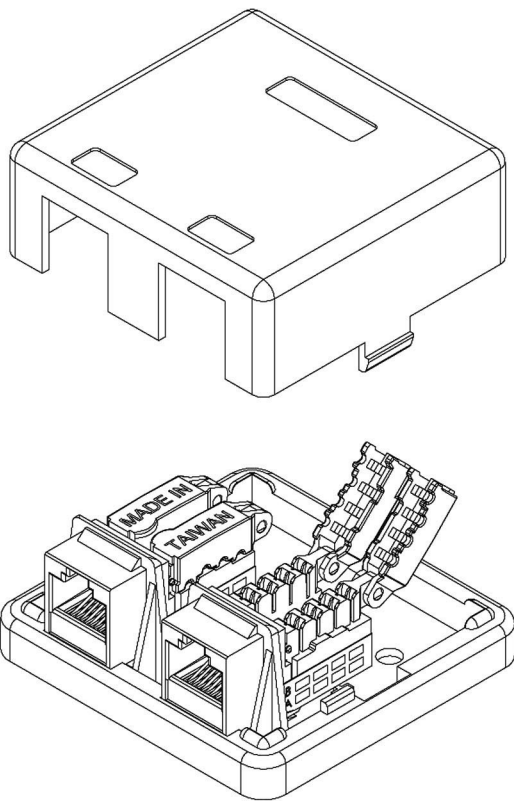
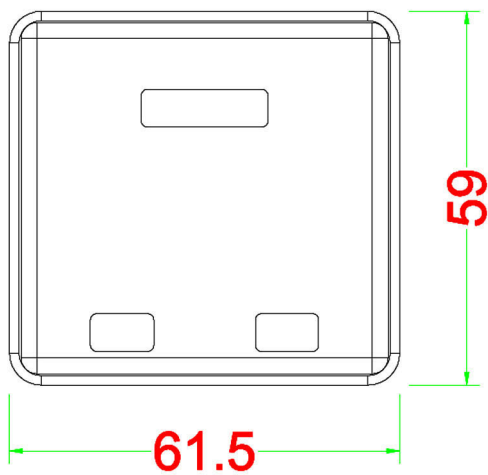
**Mechanical Specif**

IDC Punch Down Cycle

Jack Insertion Cycle :

**Operation Temper**

ROHS Compliant



**Performance:**

Meets C6 EIA/TIA 568B

**Materials:**

- Body : Fireproof
- Jack : 8p8c 50
- PCB : FR-4 / U
- IDC Cap : Fireproof
- IDC Body : Fireproof
- IDC Pin : Tinned

**IDC Description :** For

Tool  
Also

**Electrical Specifications**

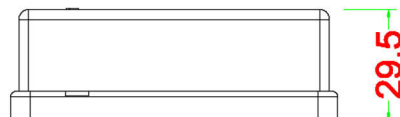
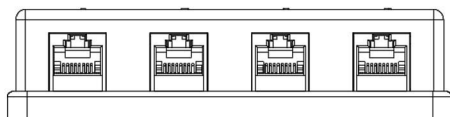
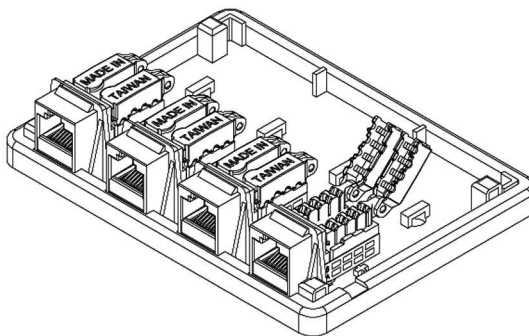
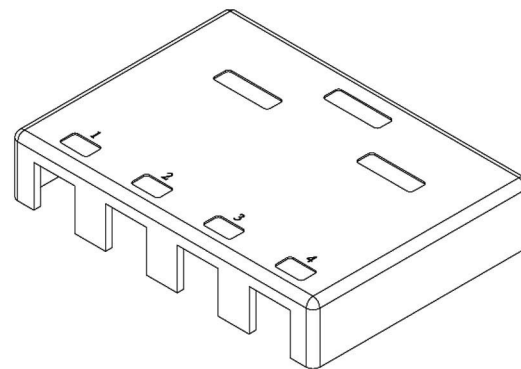
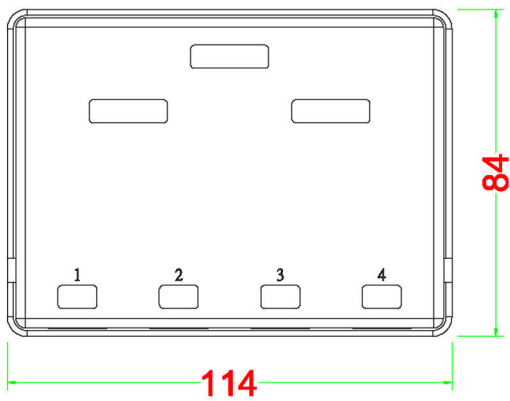
- Insulation Resistance : 20
- Contact Resistance : 20
- Current Rating : 1.5 Am
- DC Resistance : 0.1 oh
- Withstanding Voltage :

**Mechanical Specifications**

- IDC Punch Down Cycle
- Jack Insertion Cycle :

**Operation Temperature**

ROHS Compliant



### Performance:

Meets C6 EIA/TIA 568B

### Materials:

Body : Fireproof  
Jack : 8p8c 50  
PCB : FR-4 / UL  
IDC Cap : Fireproof  
IDC Body : Fireproof  
IDC Pin : Tinned

### IDC Description : For

Tool

Also

### Electrical Specifications

Insulation Resistance :  
Contact Resistance : 20  
Current Rating : 1.5 Am  
DC Resistance : 0.1 ohm  
Withstanding Voltage :

### Mechanical Specifications

IDC Punch Down Cycle  
Jack Insertion Cycle : C

### Operation Temperature

ADDITIONAL IMAGES FOR REFERENCE

---



SKH1



SKH2



SKH4



## X-ON Electronics

Largest Supplier of Electrical and Electronic Components

*Click to view similar products for [Tuk](#) manufacturer:*

Other Similar products are found below :

[ADQ88](#) [KOLSMDX](#) [PXCAT6S8XL2](#) [SKH1](#) [PXSPDY6#100](#) [PSPDY5#100](#) [PXSPDY6#10](#) [SP5RD](#) [FTT](#) [SKFBKDPM](#) [SACK3S-24](#)  
[OT45BK](#) [SKFYW](#) [PSDL-6#20](#) [WJOL](#) [FJP2](#) [KH4](#) [KRCAWHBKDPM](#) [SPDL5BK](#) [TRCSPDY3](#) [PSDL-5#100](#) [SKFGN](#) [SP3RD](#) [SLJBKDPM](#)  
[SEKEIPM](#) [FJKPT](#) [KCUAA2BKDPM](#) [SP5GN](#) [MGOP6](#) [TPOET](#) [PXSPDY5#10](#) [WJSG](#) [SILWH](#) [SP3YW](#) [SACK2WHPM](#) [T2079](#)  
[FACK2BKDPM](#) [KOCSMDPM](#) [SP5YW](#) [SGPZ10BK](#) [ADF](#) [SEKEI-45WH](#) [TRCSPDYBP](#) [SP5GYB](#) [SKH4](#) [SGKH2](#) [SKFWHPM](#) [KOCSM](#)  
[SKH2](#) [SP10RD](#)