

LOKJAC Category 6 Surface Mount Socket



LOKJAC Category 6 surface mount tool-less locking socket (SKH1LJ, SKH2LJ, SKH4LJ)

These LOKJAC surface mount sockets enable Category 6 outlets to be quickly installed without the need for additional back box or trunking. The locking facility makes them particularly suitable for locations where vibration or interference is a concern.

Features

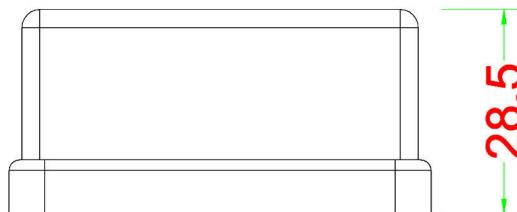
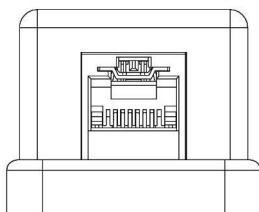
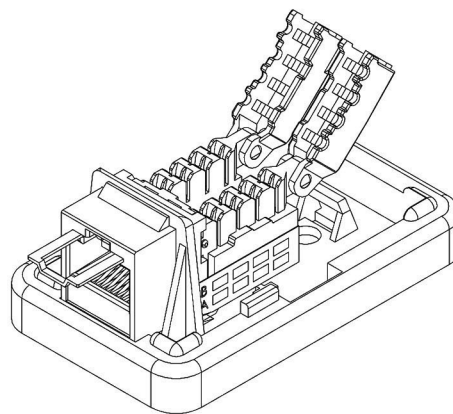
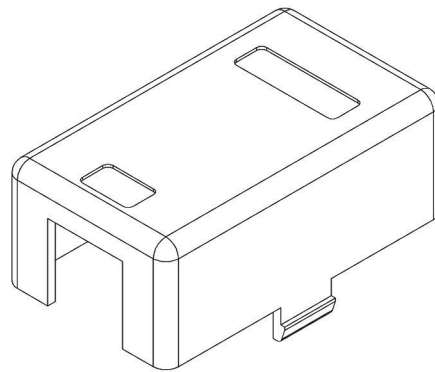
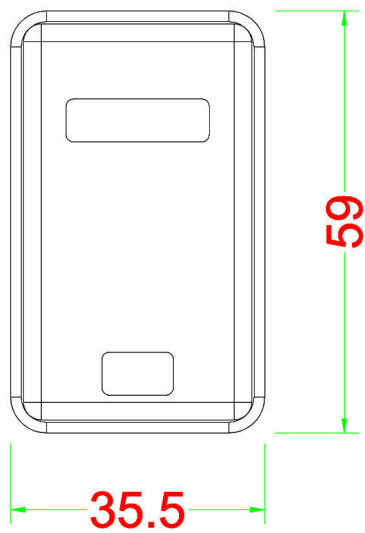
- High performance data throughput, meets Category 6 data transfer rates at permanent link level
- Utilises LOKJAC Category 6 locking keystone for secure retention of cables
http://www.tuk.co.uk/tuk_live/product_details.php?category_id=1&pld=302
- High speed tool-less termination
- Cable routing 180°
- Supplied with cable ties + adhesive pads for mounting
- Requires key "TLJ" – supplied separately

Specifications

- Colour: White
- Materials:
 - Housing: Fireproof ABS UL 94V-0
 - Socket:
 - Body: ABS UL 94V-0
 - Contact: 50µ"/1.27µm gold plating
 - Lock bar: Cold rolled steel (SPCC)

Product Code	Dimensions (LxWxH)	Weight (Approximately)	Adhesive pads
SKH1LJ	59 x 35.5 x 28.5 mm	24g	45 x 25 mm
SKH2LJ	59.0 x 61.5 x 28.5 mm	40g	45 x 40 mm
SKH4LJ	84.0 x 114.0 x 29.5 mm	112g	45 x 40 mm (2)

ROHS Compliant



Performance:

Meets C6 EIA/TIA 568

Materials:

- Body : Fireproof
- Jack : 8p8c 5
- PCB : FR-4 / U
- IDC Cap : Fireproof
- IDC Body : Fireproof
- IDC Pin : Tinned
- Lock bar : Metal

IDC Description : F

To
Al

Electrical Specifications

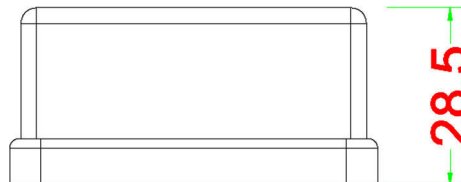
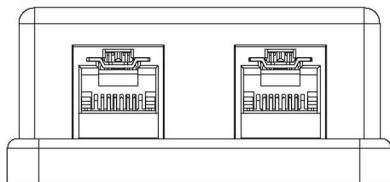
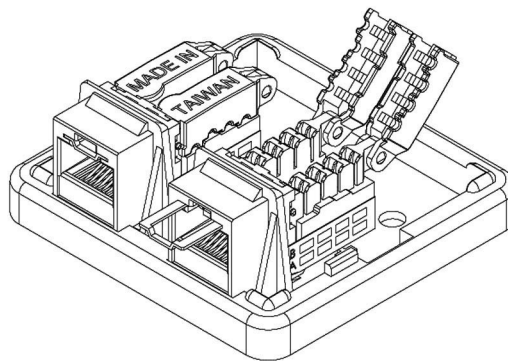
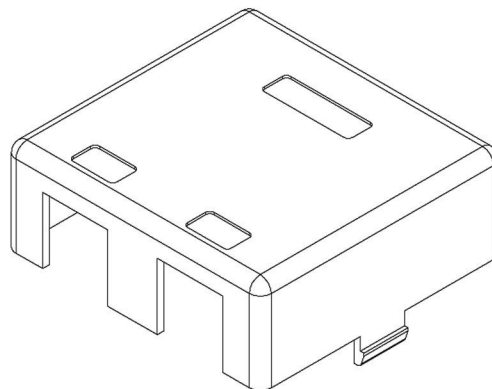
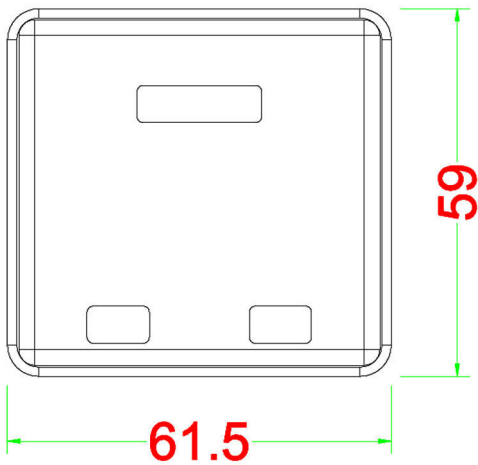
- Insulation Resistance :
- Contact Resistance : 2
- Current Rating : 1.5 A
- DC Resistance : 0.1 oh
- Withstanding Voltage :

Mechanical Specifications

- IDC Punch Down Cycle
- Jack Insertion Cycle :

Operation Temperature

ROHS Compliant



Performance:

Meets C6 EIA/TIA 568

Materials:

- Body : Fireproof
- Jack : 8p8c 50
- PCB : FR-4 / U
- IDC Cap : Fireproof
- IDC Body : Fireproof
- IDC Pin : Tinned
- Lock bar : Metal (

IDC Description : Fo

To
Als

Electrical Specificat

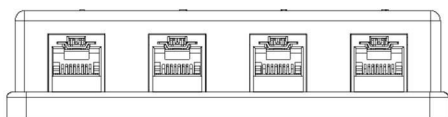
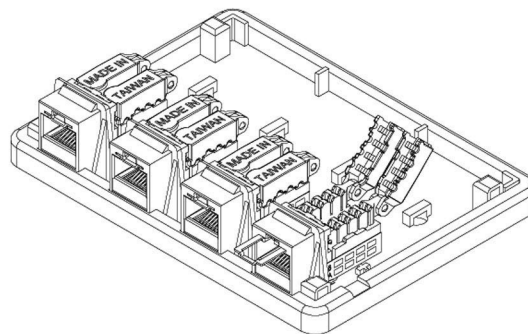
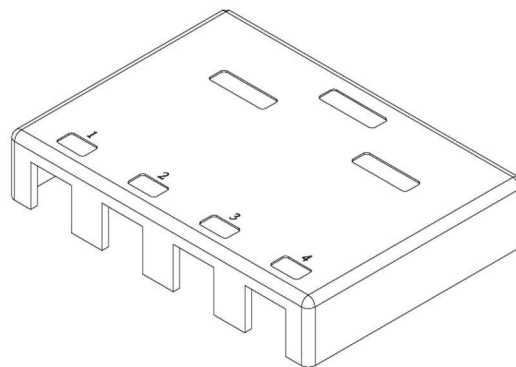
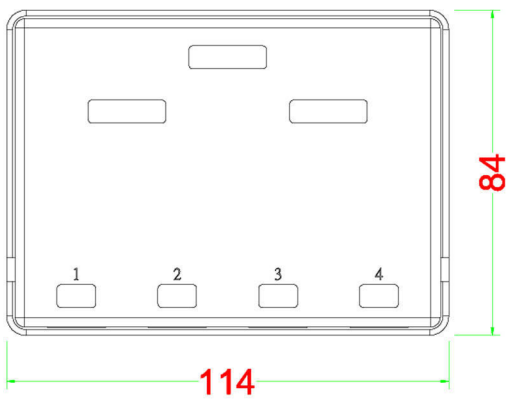
- Insulation Resistance :
- Contact Resistance : 20
- Current Rating : 1.5 Am
- DC Resistance : 0.1 oh
- Withstanding Voltage :

Mechanical Specific

- IDC Punch Down Cycle
- Jack Insertion Cycle :

Operation Tempera

ROHS Compliant



Performance:

Meets C6 EIA/TIA 568B

Materials:

- Body : Fireproof A
- Jack : 8p8c 50µ
- PCB : FR-4 / UL-
- IDC Cap : Fireproof
- IDC Body : Fireproof
- IDC Pin : Tinned P
- Lock bar : Metal (S

IDC Description : For

Tool
Also

Electrical Specificatio

- Insulation Resistance : 50
- Contact Resistance : 20m
- Current Rating : 1.5 Amp
- DC Resistance : 0.1 ohm
- Withstanding Voltage : 10

Mechanical Specifica

- IDC Punch Down Cycle : 10
- Jack Insertion Cycle : 10

Operation Temperatu

ADDITIONAL IMAGES FOR REFERENCE



SKH1LJ



SKH2LJ



SKH4LJ



X-ON Electronics

Largest Supplier of Electrical and Electronic Components

Click to view similar products for [Tuk](#) manufacturer:

Other Similar products are found below :

[ADQ88](#) [KOLSMDX](#) [PXCAT6S8XL2](#) [SKH1](#) [PXSPDY6#100](#) [PSPDY5#100](#) [PXSPDY6#10](#) [SP5RD](#) [FTT](#) [SKFBKDPM](#) [SACK3S-24](#)
[OT45BK](#) [SKFYW](#) [PSDL-6#20](#) [WJOL](#) [FJP2](#) [KH4](#) [KRCAWHBKDPM](#) [SPDL5BK](#) [TRCSPDY3](#) [PSDL-5#100](#) [SKFGN](#) [SP3RD](#) [SLJBKDPM](#)
[SEKEIPM](#) [FJKPT](#) [KCUAA2BKDPM](#) [SP5GN](#) [MGOP6](#) [TPOET](#) [PXSPDY5#10](#) [WJSG](#) [SILWH](#) [SP3YW](#) [SACK2WHPM](#) [T2079](#)
[FACK2BKDPM](#) [KOCSMDPM](#) [SP5YW](#) [SGPZ10BK](#) [ADF](#) [SEKEI-45WH](#) [TRCSPDYBP](#) [SP5GYB](#) [SKH4](#) [SGKH2](#) [SKFWHPM](#) [KOCSM](#)
[SKH2](#) [SP10RD](#)