

INDUSTRIAL - ENVIRONMENTALLY SEALED SWITCHES

Series - 8520-8522, 8526-8528

Environmentally Sealed Toggle Switches

UL Recognized and CSA Certified

FEATURES		SPECIFICATIONS		CURRENT RATINGS				
<ul style="list-style-type: none"> Completely sealed against dust, moisture, and other contaminants UL and CSA approved One hole mounted bushing for easy installation Multi-circuits offered 2 & 3 position with maintained and momentary action Molded-in terminal inserts and terminal numbers 1, 2 and 4 pole circuitry 	<ul style="list-style-type: none"> Watertight seal per MIL-STD-108E and designed to meet IP68 Thermoset molding materials meet flame retardant requirements UL recognized and CSA certified per specifications listed below Temperature Range: -50°F to +150°F (-46°C to +66°C) Life: 20,000 operations at rated load 40,000 operations mechanical life 6,000 operations at HP ratings per UL and CSA requirements Bushing: 15/32" - 32 thread 	No. of Poles	Catalog Number	Maximum Horsepower				
				Amperes		1 Phase		3 Phase
				125V	250V	125VAC	250VAC	125/250 VAC
		1	8520	18	9	1/4	1/2	—
		2	8521	18	9	1/2	1	—
4	8522	18	9	1/2	1	1		
1, 2, 4	8526 thru 8528	18	9	—	—	—		

SELECTION TABLE

FLUSH TERMINAL SCREWS



8520/8526



8521/8527



8522/8528

CIRCUIT WITH LEVER IN . . .			ONE POLE	TWO POLE	FOUR POLE
Up Position	Center Position	Down Position (Keyway)	Catalog Number	Catalog Number	Catalog Number
			8520K1	8521K1	8522K1
ON	OFF	ON	K9	K9	K9
ON	NONE	OFF	K4	K4	K4
ON	NONE	ON	8526K5	8527K5	8528K5
ON	NONE	ON	K2	K2	K2
ON	OFF	ON	8526K3	8527K3	8528K3
ON	OFF	ON*			

*** Momentary contact.**

See page A71 for circuit diagrams.

UL & CSA Approval Numbers

UL - Where devices are UL recognized, recognition is listed under file number E15346; Guide card number is WOYR2.

CSA = Where devices are CSA certified, certification number is LR40068, class number 6241.

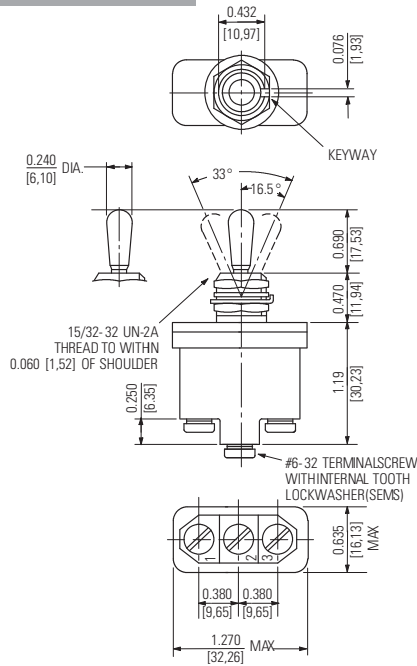
INDUSTRIAL - ENVIRONMENTALLY SEALED SWITCHES

Series - 8520-8522, 8526-8528

Environmentally Sealed Toggle Switches

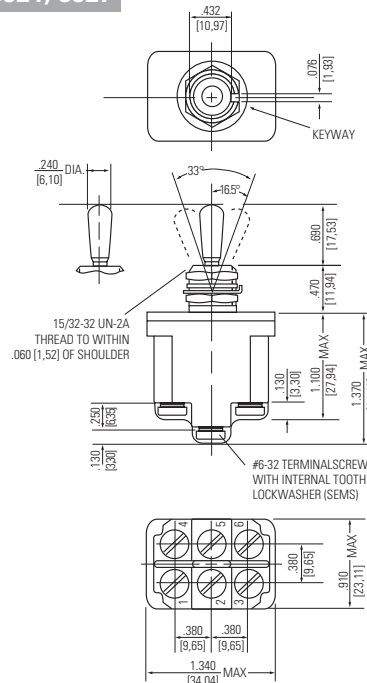
UL Recognized and CSA Certified

MOUNTING DIMENSIONS - ONE POLE / 8520, 8526



Terminal Identification

MOUNTING DIMENSIONS - TWO POLE / 8521, 8527



Terminal Identification

STANDARD
0.00 = inches
[0,0] = mm

Mounting dimensions for reference only.

Non-functional terminals not supplied.

X-ON Electronics

Largest Supplier of Electrical and Electronic Components

Click to view similar products for [SAFRAN ELECTRICAL AND POWER manufacturer](#):

Other Similar products are found below :

[8510K10](#) [8504K7](#) [8531K33](#) [8503K1](#) [8503K6](#) [8530K94](#) [8532K4](#) [8537K314A](#) [8501K2](#) [8502K5](#) [8530K11](#) [8531K39](#) [8537K94D](#) [8530K92](#)
[8501K4](#) [8502K9](#) [8511K3](#) [8502K1](#) [8494K3](#) [8502K2](#) [8531K316](#) [8501K5](#) [8530K5](#) [8531K11](#) [8500K1](#) [8530K3](#) [8500K11](#) [8501K1](#) [8501K11](#)
[8531K32](#) [8502K4](#) [8497K3](#) [8531K3](#) [8498K6](#) [8497K11](#) [8530K9](#) [8501K9](#) [8492K1](#) [8500K4](#) [8510K9](#) [8531K2](#) [8501K3](#) [8530K2](#)