

# ECONOSWITCH SEALED ROCKER SWITCHES

## Econoswitch Sealed Rocker Switches

Series - 8554, 8555, 8556

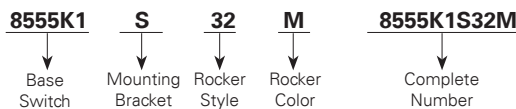
| FEATURES   |  | SPECIFICATIONS |      | CURRENT RATINGS |    |                   |                |                    |    |           |
|--|--|----------------|------|-----------------|----|-------------------|----------------|--------------------|----|-----------|
| <ul style="list-style-type: none"> <li>Environmentally sealed</li> <li>1, 2 and 4 pole circuitry</li> <li>2 &amp; 3 position with maintained and momentary action</li> <li>Pinned rocker button</li> <li>Rocker button style and color variations</li> <li>Multi-circuits</li> <li>Thermoplastic rocker buttons in opaque colors (serrated and smooth face)</li> <li>Panel mounting variations                             <ul style="list-style-type: none"> <li>Flush panel</li> <li>Sub-panel</li> <li>Snap-in</li> </ul> </li> </ul> | <ul style="list-style-type: none"> <li>Watertight per MIL-STD-108E and designed to meet IP68</li> <li>UL recognized and CSA certified</li> <li>Temperature range: -50°F to +150°F (-46°C to +66°C)</li> <li>Life: 50,000 operations at rated load<br/>100,000 operations mechanical life</li> <li>Three standard types of terminals                             <ul style="list-style-type: none"> <li>Screw 6-32 UNC-2A</li> <li>Solder lug .125 [3,17] dia. hole</li> <li>Spade .250 [6,35] x .032 [0,82] thick</li> </ul> </li> </ul> | No. of Poles   |      | Catalog Number  |    | Type of Operation |                | 115VAC 60 or 400Hz |    |           |
|  |  | 28VDC          |      | Resistive Load  |    |                   | Inductive Load |                    |    | Lamp Load |
|  |  | 1              | 8554 | Maintained      | 20 | 15                | 5              | 15                 | 10 | 3         |
|  |  |                |      | Momentary       | 15 | 10                | 4              | 11                 | 7  | 2         |
|  |  | 2              | 8555 | Maintained      | 20 | 15                | 7              | 15                 | 15 | 4         |
|  |  |                |      | Momentary       | 18 | 10                | 5              | 11                 | 8  | 2         |
|  |  | 4              | 8556 | Maintained      | 20 | 12                | 5              | 15                 | 15 | 4         |
|  |  |                |      | Momentary       | 18 | 10                | 4              | 11                 | 8  | 2         |

Note: See page C28 for UL and CSA current ratings.

### WHEN ORDERING SPECIFY . . .

- Catalog number of base switch followed by suffix letters and numbers for mounting bracket, rocker color and style as listed in selection table.

Order Example:



One Pole Snap-in Bezel Mounting



Two Pole Flush Panel Mounting



Four Pole Sub-Panel Mounting

### SELECTION TABLE

| CIRCUIT WITH LEVER IN . . . |                 |                        | BASE CATALOG NUMBER® |                  |                 | SUFFIX NUMBERS & LETTERS - ADD TO BASE CATALOG NUMBER |                |             |              |          |              |             |
|-----------------------------|-----------------|------------------------|----------------------|------------------|-----------------|---|----------------|-------------|--------------|----------|--------------|-------------|
| Up Position                 | Center Position | Down Position (Keyway) | Screw Terminals      | Solder Terminals | Spade Terminals | MOUNTING BRACKET                                      |                |             | ROCKER STYLE |          | ROCKER COLOR |             |
|                             |                 |                        |                      |                  |                 | Frame Style   | Mounting Holes | Code Letter | Style        | Code No. | Color        | Code Letter |
| <b>One Pole</b>             |                 |                        |                      |                  |                 |   |                |             |              |          |              |             |
| ON                          | OFF             | ON                     | 8554K1               | 8554K91          | 8554K31         |   |                |             |              |          |              |             |
| ON                          | NONE            | OFF                    | K9                   | K99              | K39             |   |                |             |              |          |              |             |
| ON                          | NONE            | ON                     | K4                   | K94              | K34             |   |                |             |              |          |              |             |
| ON                          | OFF             | NONE                   | K6                   | K96              | K36             |   |                |             |              |          |              |             |
| ON                          | NONE            | ON*                    | K5                   | K95              | K35             | Sub-Panel Mounting-Clearance Holes                    | 0.152          | R           |              |          |              |             |
| * ON                        | OFF             | ON*                    | K2                   | K92              | K32             |   |                |             |              |          |              |             |
| NONE                        | OFF             | ON*                    | K7                   | K97              | K37             |   |                |             |              |          |              |             |
| ON                          | NONE            | OFF*                   | K10                  | K910             | K310            |   |                |             |              |          |              |             |
| OFF                         | NONE            | ON*                    | K11                  | K911             | K311            |   |                |             |              |          |              |             |
| ON                          | OFF             | ON*                    | K3                   | K93              | K33             | Sub-Panel Mounting-Tapped Holes                       | 6-32 UNC-2B    | W           | Serrated     | 32       | White        | M           |
| * ON                        | ON              | NONE                   | K12                  | K912             | K312            |   |                |             |              |          |              |             |
| ON                          | ON              | NONE                   | K13                  | K913             | K313            |   |                |             |              |          |              |             |
| <b>Two Pole</b>             |                 |                        |                      |                  |                 |   |                |             |              |          |              |             |
| ON                          | OFF             | ON                     | 8555K1               | 8555K91          | 8555K31         | Flush Panel Mounting-Clearance Holes                  | 0.152          | S           |              |          | Black        | V           |
| ON                          | NONE            | OFF                    | K9                   | K99              | K39             |   |                |             |              |          |              |             |
| ON                          | NONE            | ON                     | K4                   | K94              | K34             |   |                |             |              |          |              |             |
| ON                          | OFF             | NONE                   | K6                   | K96              | K36             |   |                |             |              |          |              |             |
| ON                          | NONE            | ON*                    | K5                   | K95              | K35             |   |                |             |              |          |              |             |
| * ON                        | OFF             | ON*                    | K2                   | K92              | K32             | Flush Panel Mounting-Tapped Holes                     | 6-32 UNC-2B    | T           | Smooth       | 33       | Red          | T           |
| NONE                        | OFF             | ON*                    | K7                   | K97              | K37             |   |                |             |              |          |              |             |
| ON                          | NONE            | OFF*                   | K10                  | K910             | K310            |   |                |             |              |          |              |             |
| OFF                         | NONE            | ON*                    | K11                  | K911             | K311            |   |                |             |              |          |              |             |
| ON                          | OFF             | ON*                    | K3                   | K93              | K33             |   |                |             |              |          |              |             |
| * ON                        | ON              | NONE                   | K12                  | K912             | K312            |   |                |             |              |          |              |             |
| ON                          | ON              | NONE                   | K13                  | K913             | K313            | Snap-in Bezel Mounting                                | ---            | X           |              |          |              |             |
| ON                          | ON              | ON                     | K14                  | K914             | K314            |   |                |             |              |          |              |             |
| ON                          | ON              | ON*                    | K15                  | K915             | K315            |   |                |             |              |          |              |             |
| * ON                        | ON              | ON*                    | K16                  | K916             | K316            |   |                |             |              |          |              |             |
| ON                          | ON              | ON                     | K17                  | K917             | K317            |   |                |             |              |          |              |             |
| ON                          | ON              | ON*                    | K18                  | K918             | K318            |   |                |             |              |          |              |             |
| * ON                        | ON              | ON*                    | K19                  | K919             | K319            |   |                |             |              |          |              |             |




\* Momentary Contact.

# ECONOSWITCH SEALED ROCKER SWITCHES

## Series - 8554, 8555, 8556

# Econoswitch Sealed Rocker Switches

### SELECTION TABLE

| CIRCUIT WITH LEVER IN . . .   |   |   | BASE CATALOG NUMBER <sup>①</sup> |                  |                 | SUFFIX NUMBERS & LETTERS - ADD TO BASE CATALOG NUMBER |                |             |              |          |              |             |
|---|---|---|----------------------------------|------------------|-----------------|---|----------------|-------------|--------------|----------|--------------|-------------|
| Up Position   | Center Position   | Down Position (Keyway)  | Screw Terminals                  | Solder Terminals | Spade Terminals | MOUNTING BRACKET                                      |                |             | ROCKER STYLE |          | ROCKER COLOR |             |
|  |  |  |                                  |                  |                 | Style   | Mounting Holes | Code Letter | Style        | Code No. | Color        | Code Letter |
| <b>Four Pole</b>  |   |   |                                  |                  |                 |   |                |             |              |          |              |             |
| ON  | OFF   | ON  | 8556K1                           | 8556K91          | 8556K31         | Sub-Panel   |                |             |              |          |              |             |
| ON  | NONE  | OFF   | K9                               | K99              | K39             | Mounting-   | 0.152          | R           |              |          |              |             |
| ON  | NONE  | ON  | K4                               | K94              | K34             | Clearance   |                |             |              |          |              |             |
| ON  | OFF   | NONE  | K6                               | K96              | K36             | Holes   |                |             |              |          | White        | M           |
| ON  | NONE  | ON*   | K5                               | K95              | K35             |   |                |             |              |          |              |             |
| * ON  | OFF   | ON*   | K2                               | K92              | K32             | Sub-Panel   |                |             |              |          |              |             |
| NONE  | OFF   | ON*   | K7                               | K97              | K37             | Mounting-   | 6-32           | W           | Serrated     | 32       |              |             |
| ON  | NONE  | OFF*  | K10                              | K910             | K310            | Tapped Holes  | UNC-2B         |             |              |          |              |             |
| OFF   | NONE  | ON*   | K11                              | K911             | K311            |   |                |             |              |          |              |             |
| ON  | OFF   | ON*   | K3                               | K93              | K33             | Flush Panel   |                |             |              |          |              |             |
| * ON  | ON  | NONE  | K12                              | K912             | K312            | Mounting-   |                |             |              |          | Black        | V           |
| ON  | ON  | NONE  | K13                              | K913             | K313            | Clearance   | 0.152          |             |              |          |              |             |
| ON  | ON  | ON  | K15                              | K915             | K315            | Holes   |                | S           |              |          |              |             |
| ON  | ON  | ON*   | K16                              | K916             | K316            |   |                |             |              |          |              |             |
| * ON  | ON  | ON*   | K17                              | K917             | K317            | Flush Panel   |                |             | Smooth       | 33       |              |             |
|   |   |   |                                  |                  |                 | Mounting-   | 6-32           |             |              |          | Red          | T           |
|   |   |   |                                  |                  |                 | Tapped Holes  | UNC-2B         | T           |              |          |              |             |
|   |   |   |                                  |                  |                 | Snap-in Bezel   |                |             |              |          |              |             |
|   |   |   |                                  |                  |                 | Mounting  | —              | X           |              |          |              |             |

\* Momentary contact.

See pages C26-C27 and C29-C31 for circuit diagrams.

① Incomplete Catalog Number - add suffix letters and numbers for Mounting Bracket, Rocker Style and Rocker Color - see "When Ordering Specify."

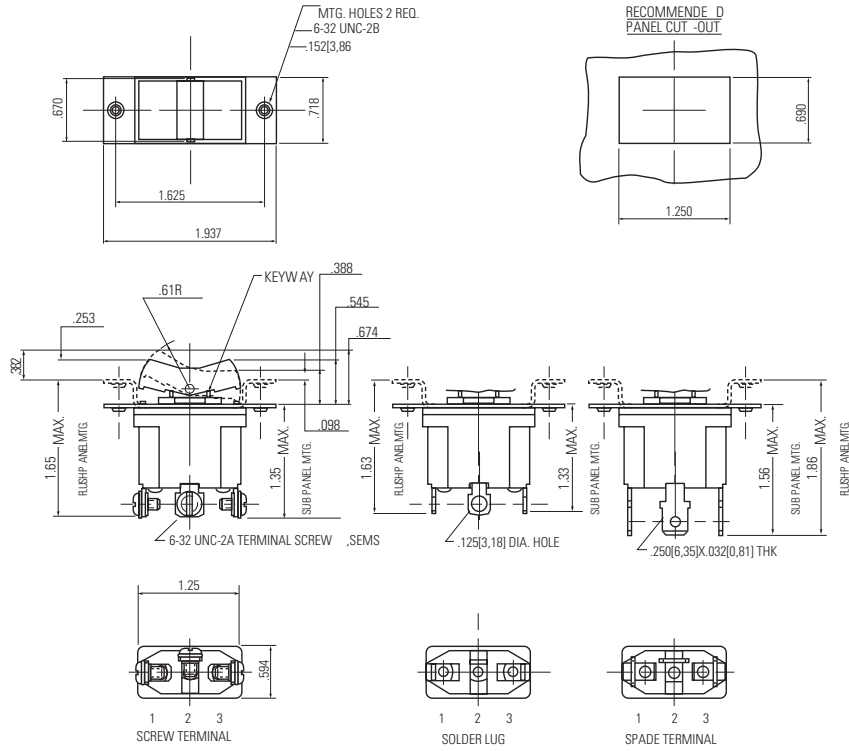
**STANDARD**  
0.00 = inches  
[0,0] = mm

Dimensions for reference only.

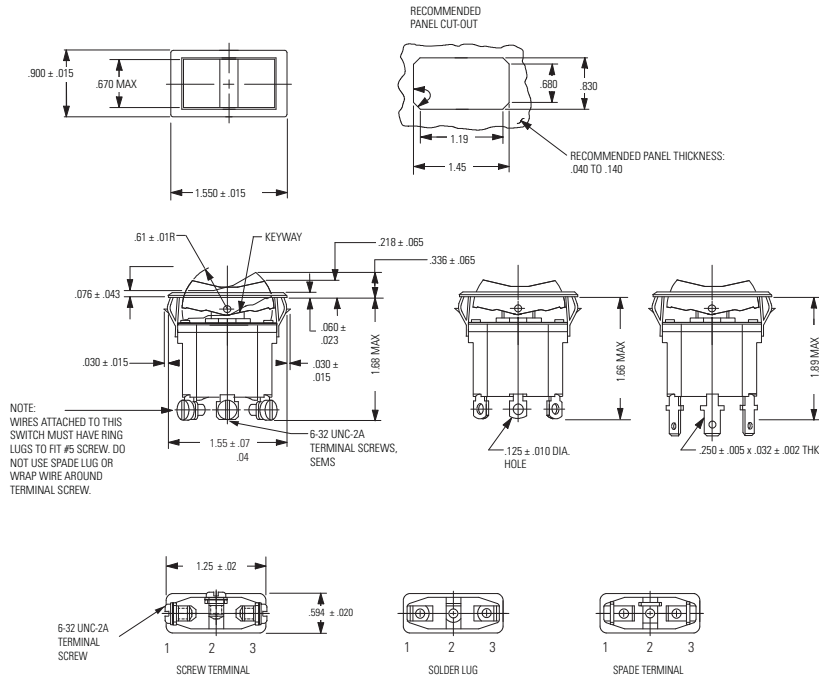
# Series - 8554, 8555, 8556

# ECONOSWITCH SEALED ROCKER SWITCHES Econoswitch Sealed Rocker Switches

## MOUNTING DIMENSIONS - ONE POLE / 8554



## MOUNTING DIMENSIONS - SNAP-IN BEZEL ONE POLE / 8554

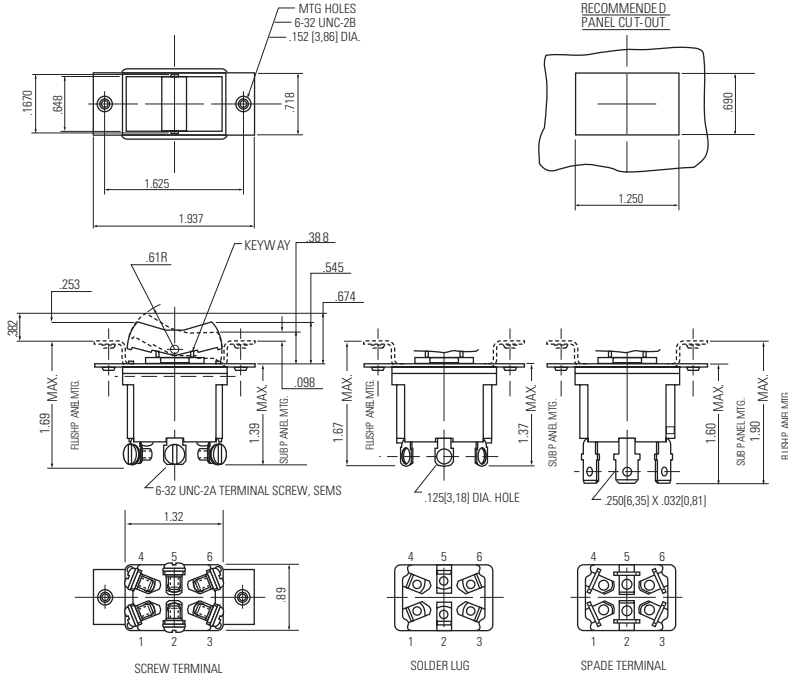


# ECONOSWITCH SEALED ROCKER SWITCHES

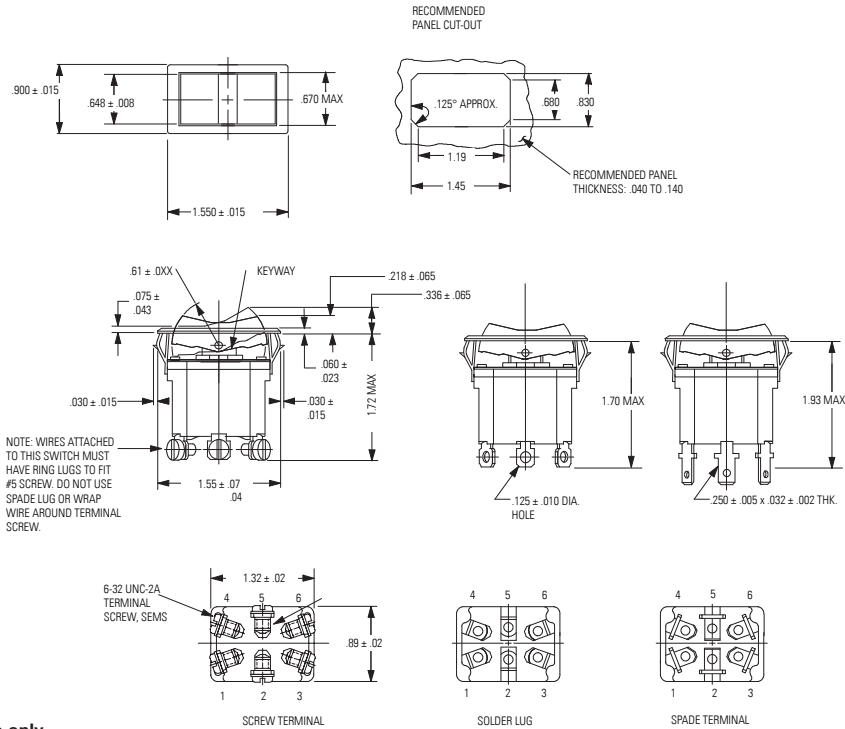
## Series - 8554, 8555, 8556

# Econoswitch Sealed Rocker Switches

### MOUNTING DIMENSIONS - TWO POLE / 8555



### MOUNTING DIMENSIONS - SNAP-IN BEZEL TWO POLE / 8555



**STANDARD**  
0.00 = inches  
[0,0] = mm

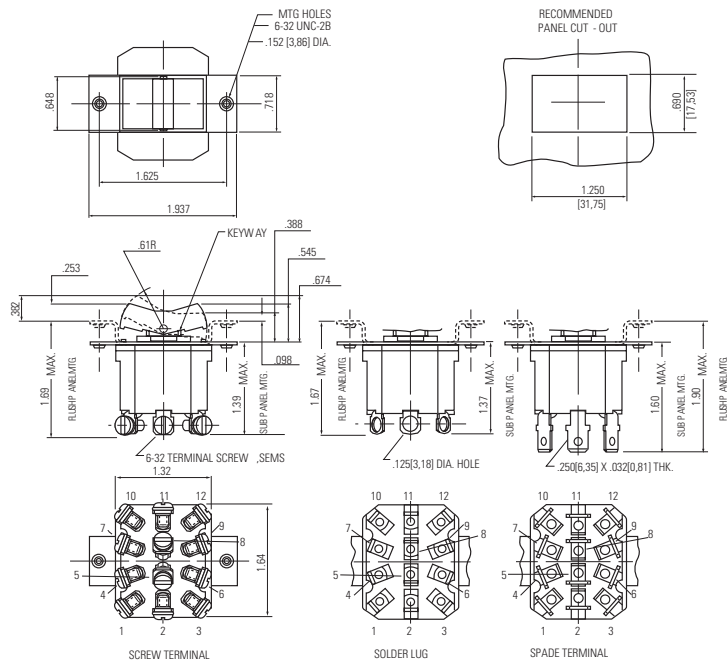
Dimensions for reference only.

# ECONOSWITCH SEALED ROCKER SWITCHES

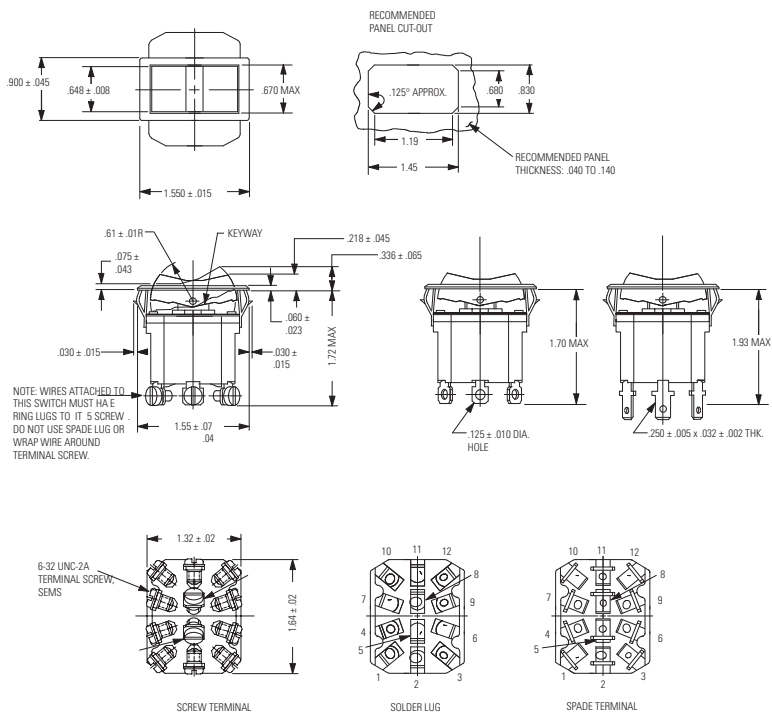
## Econoswitch Sealed Rocker Switches

Series - 8554, 8555, 8556

### MOUNTING DIMENSIONS - FOUR POLE / 8556



### MOUNTING DIMENSIONS - SNAP-IN BEZEL FOUR POLE / 8556



**STANDARD**  
0.00 = inches  
[0,0] = mm

Dimensions for reference only.

# ECONOSWITCH SEALED ROCKER SWITCHES

## Series - 8554, 8555, 8556

Econoswitch Sealed Rocker Switches

### OPTIONS/ACCESSORIES

- Special color rockers
- Hot stamped lettering on rockers - smooth rockers only
- Special plated bezels
- Special marking on switches
- Optional Actuator
- Gold plated contacts

## X-ON Electronics

Largest Supplier of Electrical and Electronic Components

*Click to view similar products for [SAFRAN ELECTRICAL AND POWER manufacturer](#):*

Other Similar products are found below :

[8510K10](#) [8504K7](#) [8531K33](#) [8503K1](#) [8503K6](#) [8530K94](#) [8532K4](#) [8537K314A](#) [8501K2](#) [8502K5](#) [8530K11](#) [8531K39](#) [8537K94D](#) [8530K92](#)  
[8501K4](#) [8502K9](#) [8511K3](#) [8502K1](#) [8494K3](#) [8502K2](#) [8531K316](#) [8501K5](#) [8530K5](#) [8531K11](#) [8500K1](#) [8530K3](#) [8500K11](#) [8501K1](#) [8501K11](#)  
[8531K32](#) [8502K4](#) [8497K3](#) [8531K3](#) [8498K6](#) [8497K11](#) [8530K9](#) [8501K9](#) [8492K1](#) [8500K4](#) [8510K9](#) [8531K2](#) [8501K3](#) [8530K2](#)