

Key Features

- Ultra small footprint
- 26 x 23 x 12mm
- IP67 rated
- Very wide operating temperature



General Description

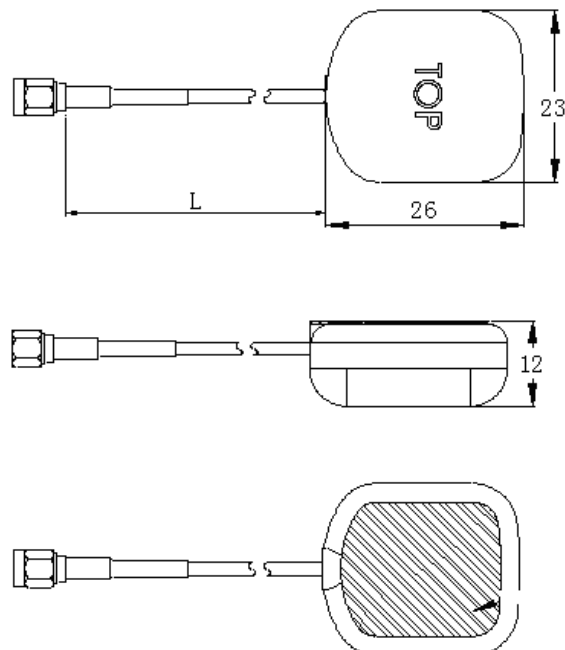
The Alpha 19 is an ultra small footprint GPS active antenna, ideal for the smallest of spaces.

The Alpha 19 is an adhesive mounting antenna (not magnetic) and is at home in virtually any environment.

It is IP67 rated with a wide operating temperature range of -40 to +85°C and is suitable for many 'rugged' and vibrating situations.

The Alpha 19 comes as standard in GPS 1574.5MHz form and 1, 3 and 5m cable and SMA male connector.

The Alpha 19 can be supplied as a GPS/GLONASS antenna and alternative cable lengths and connector style.



Dielectric Antenna - Specifications

Impedance:	50 ohm
Peak gain:	>1dBic Based on 7x7cm ground plane
Gain coverage:	>-4dBic @ -90° <0<+90° (over 75% volume)
V.S.W.R:	1.5:1
Center frequency:	1575.42MHz ±3MHz
Bandwidth:	±5MHz
Polarization:	RHCP

LNA/Filter - Specifications

LNA gain:	26dB typical
Noise figure:	1.5dB
V.S.W.R:	<2.0
Filter out band attenuation: (f0=1575.42MHz)	7dB min - f0±-20MHz 20dB min - f0±-50MHz 3dB min - f0±-100MHz
DC voltage:	3 - 5V
DC current:	11mA max

Key Specifications - Mechanical

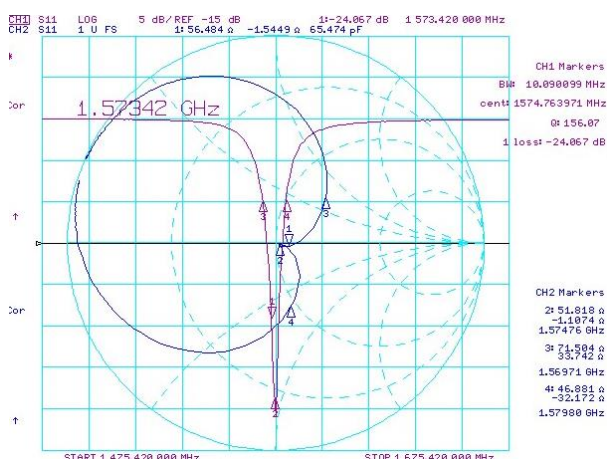
Dimensions:	26 x 23 x 12mm (without cable)
Weight:	<100g
Cable:	RG174, 1m, 3m, 5m etc
Connector:	SMA male, optional
Mounting method:	Adhesive

Key Specifications - Environmental

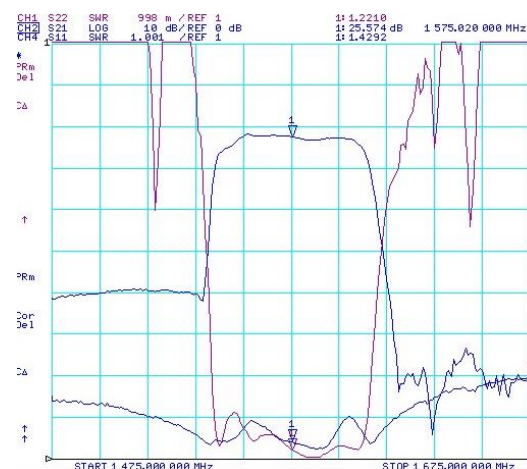
Working temperature:	-40 to +85°C
Storage temperature:	-45 to +100°C
Vibration:	Sine sweep 1g (0-p) 10-50-10Hz each axis
Humidity:	95 to 100% RH
Weatherproof:	100% waterproof

Test Reports

Patch test curve



LNA test curve



Ordering Details

Part Number	Description
ALPHA19/1M/SMAM/S/S/17	26dBi GPS Antenna, 1m Cable, SMA Male Connector
ALPHA19/3M/SMAM/S/S/17	26dBi GPS Antenna, 3m Cable, SMA Male Connector
ALPHA19/5M/SMAM/S/S/17	26dBi GPS Antenna, 5m Cable, SMA Male Connector

X-ON Electronics

Largest Supplier of Electrical and Electronic Components

Click to view similar products for [SIRETTA](#) manufacturer:

Other Similar products are found below :

[ALPHA4A/5M/SMAM/S/S/26](#) [DELTA5A/X/SMAM/S/S/17](#) [OSCAR17/X/TNC/S/S/19](#) [DELTA5A/X/BNCM/S/S/17](#) [SNYPER-LTE-SPECTRUM](#) [ASMA2000F058L13](#) [ASMA2000C058L13](#) [TANGO14/5M/LL/SMAM/S/S/24](#) [TANGO1/1M/FMEF/S/S/4](#) [ASME500F058L13](#) [TANGO3/0.5M/SMAM/S/S/31](#) [TANGO40/X/NTYPEF/S/S/32](#) [QUARTZ-W22-LTE\(EU\)+ACC](#) [ASMA500B174L13](#) [31557](#) [ECHO40/0.1M/UFL/S/S/32](#) [MIKE1A/5M/FMEF/S/S/20](#) [QUARTZ-W22-UMTS\(EU\)+ACC](#) [TANGO11A/2.5M/SMAM/S/S/19](#) [ASMA500F058L13](#) [ZETA-N-UMTS](#) [ECHO11/0.2M/IPEX/S/S/12](#) [ASMA300E174L13](#) [ASMA1000F058L13](#) [DELTA19/X/SMAM/S/S/35](#) [ASMA2000E058L13](#) [ASMZG300F058L13](#) [MIKE3A/5M/SMAM/S/S/17](#) [TANGO15/3M/SMAM/SMAM/S/S/24](#) [TANGO20/3M/SMAM/S/S/26](#) [ASMZG500A058L13](#) [ASMZG1500F058L13](#) [ALPHA1A/2.5M/SMAM/S/S/11](#) [OSCAR40/10M/LL/SMAM/S/S/33](#) [TANGO11A/5M/LL/SMAM/S/S/19](#) [TANGO29/1M/SMAM/RP/S/35](#) [ASME2000F058L13](#) [ASMK015X174S11](#) [LC300-N2-GPRS](#) [DELTA6A/X/SMAM/S/S/11](#) [MIKE1A/2.5M/FMEF/S/S/20](#) [ASMZG1000F058L13](#) [OSCAR41/X/NTYPEF/S/S/29](#) [TANGO22/3M/SMAM/SMAM/SMAM/26](#) [OSCAR420/0.4M/NTYPEF/S/S/19](#) [ASMK010X174S11](#) [ZETA-N2-GPRS](#) [ADAPT/SMAM/RP](#) [OSCAR18/X/NF/S/S/22](#) [TANGO14/3M/SMAM/S/S/24](#)