



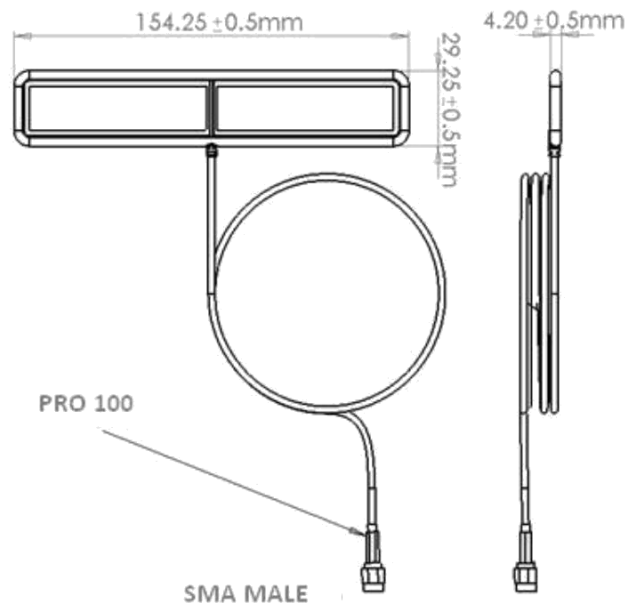
Key Features

- 155 x 30 x 4.5mm 'T' bar
- 700-824MHz - 0.5dBi gain
- 1710-2170MHz - 1dBi gain
- 2300-2700MHz - 2dBi gain
- PRO100 low loss cable

General Description

The ALPHA 40 has been tuned to give maximum gain at 4G (2600MHz) frequency but only slightly lower gain at 3G (2100MHz) and 2G (1700-1900MHz) frequencies. The ALPHA 40 can also be used for Bluetooth and WiFi applications with great success.

The antenna has two sticky pads to mount it wherever it is required. The pads ensure there is a small gap between the antenna and the surface it is to be mounted on. The antenna measures 155mm x 30mm and is 4.2mm thick. The ALPHA 40 is supplied with PRO100 low loss cable as standard. The ALPHA 40 is a competent performer and great value with this specification.



Ordering Details

Part Number	Description
ALPHA40/1.5M/SMAM/S/S/29	T-bar 4G/3G/2G Antenna, 1.5m PRO 100 Cable, SMA Male Connector
ALPHA40/2.5M/SMAM/S/S/29	T-bar 4G/3G/2G Antenna, 2.5m PRO 100 Cable, SMA Male Connector
ALPHA40/5M/SMAM/S/S/29	T-bar 4G/3G/2G Antenna, 5m PRO 100 Cable, SMA Male Connector

Key Specifications - Electrical

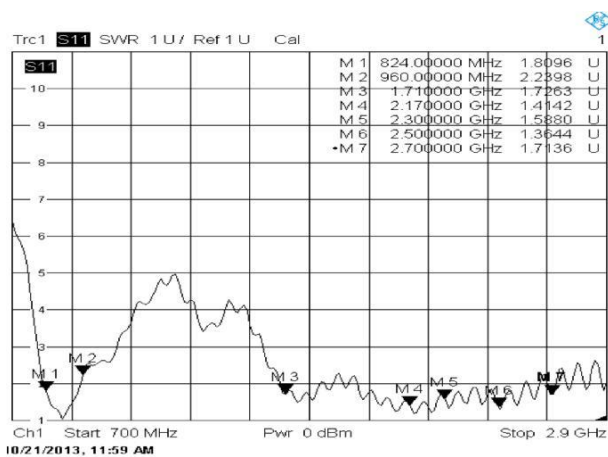
Operating temperature range:	-30 to +60°C
Impedance:	50 ± 5 Ohm
Gain:	0.5 / 1 / 2dBi
VSWR:	≤3
Beamwidth:	H-PLANE: 820~960MHz:75° 1710~2170MHz:47° 2300~2700MHz:55° E-PLANE: 360°
Max input power:	1 Watt
Frequency:	824~960 / 1710 ~ 2170 / 2300 ~ 2700MHz
Polarization:	Vertical

Key Specifications - Mechanical

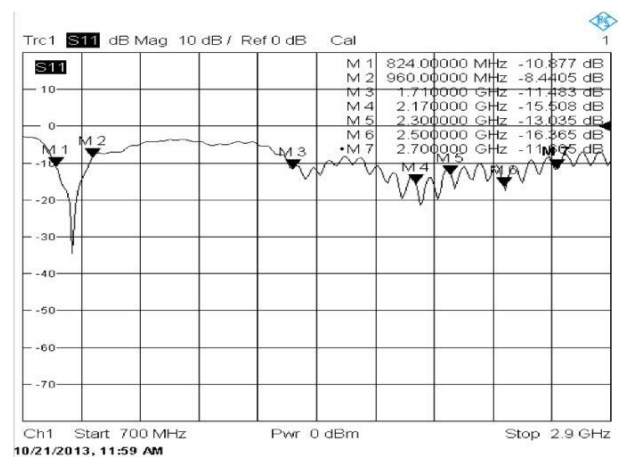
Dimensions:	154.25 x 29.25 x 4.2 ± 0.5 mm
Cable type:	PRO100 low loss
Cable length:	Customer specification
Connector:	Customer specification
Material radome:	PVC
Mounting:	Double sided adhesive
RoHS compliant:	Yes

Test Reports

VSWR

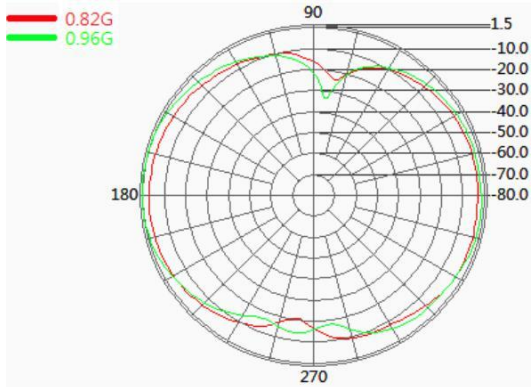


S11

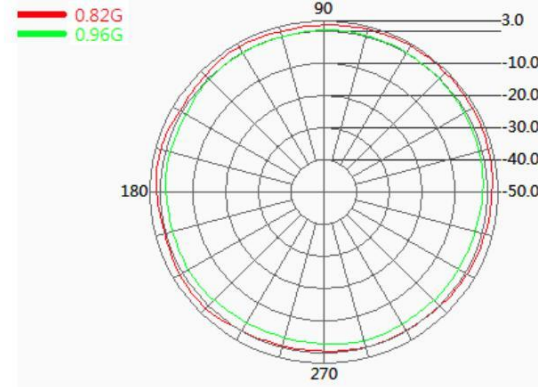


Radiation Pattern

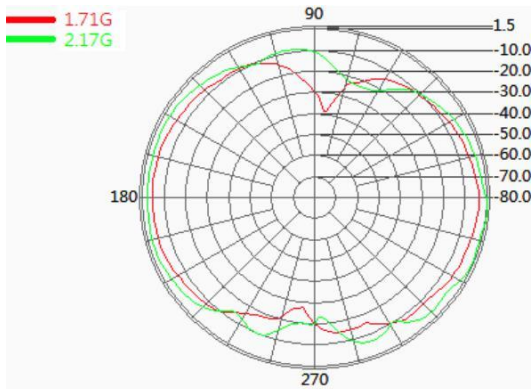
H Plane 824 - 960MHz



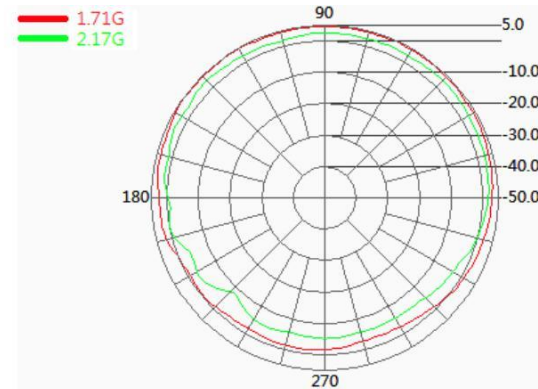
E Plane 824 - 960MHz



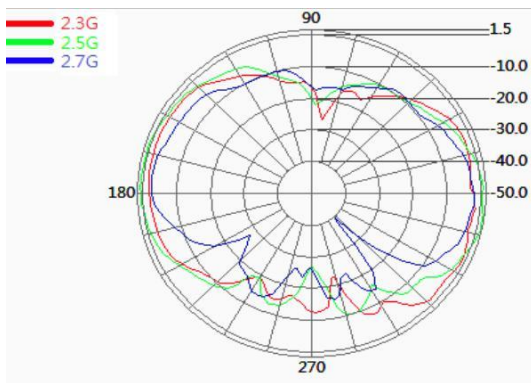
H Plane 1710 - 2170MHz



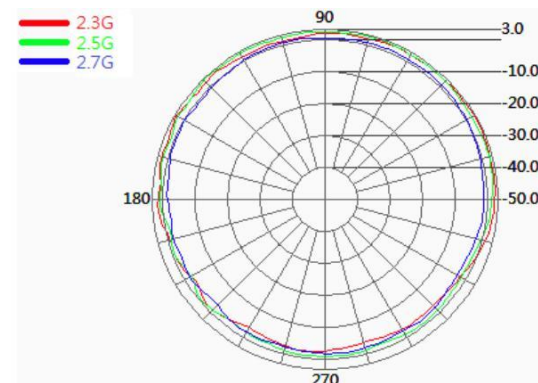
E Plane 1710 - 2170MHz



H Plane 2300 - 2700MHz



E Plane 2300 - 2700MHz



X-ON Electronics

Largest Supplier of Electrical and Electronic Components

Click to view similar products for [SIRETTA](#) manufacturer:

Other Similar products are found below :

[ALPHA4A/5M/SMAM/S/S/26](#) [DELTA5A/X/SMAM/S/S/17](#) [OSCAR17/X/TNC/S/S/19](#) [DELTA5A/X/BNCM/S/S/17](#) [SNYPER-LTE-SPECTRUM](#) [ASMA2000F058L13](#) [ASMA2000C058L13](#) [TANGO14/5M/LL/SMAM/S/S/24](#) [TANGO1/1M/FMEF/S/S/4](#) [ASME500F058L13](#) [TANGO3/0.5M/SMAM/S/S/31](#) [TANGO40/X/NTYPEF/S/S/32](#) [QUARTZ-W22-LTE\(EU\)+ACC](#) [ASMA500B174L13](#) [31557](#) [ECHO40/0.1M/UFL/S/S/32](#) [MIKE1A/5M/FMEF/S/S/20](#) [QUARTZ-W22-UMTS\(EU\)+ACC](#) [TANGO11A/2.5M/SMAM/S/S/19](#) [ASMA500F058L13](#) [ZETA-N-UMTS](#) [ECHO11/0.2M/IPEX/S/S/12](#) [ASMA300E174L13](#) [ASMA1000F058L13](#) [DELTA19/X/SMAM/S/S/35](#) [ASMA2000E058L13](#) [ASMZG300F058L13](#) [MIKE3A/5M/SMAM/S/S/17](#) [TANGO15/3M/SMAM/SMAM/S/S/24](#) [TANGO20/3M/SMAM/S/S/26](#) [ASMZG500A058L13](#) [ASMZG1500F058L13](#) [ALPHA1A/2.5M/SMAM/S/S/11](#) [OSCAR40/10M/LL/SMAM/S/S/33](#) [TANGO11A/5M/LL/SMAM/S/S/19](#) [TANGO29/1M/SMAM/RP/S/35](#) [ASME2000F058L13](#) [ASMK015X174S11](#) [LC300-N2-GPRS](#) [DELTA6A/X/SMAM/S/S/11](#) [MIKE1A/2.5M/FMEF/S/S/20](#) [ASMZG1000F058L13](#) [OSCAR41/X/NTYPEF/S/S/29](#) [TANGO22/3M/SMAM/SMAM/SMAM/26](#) [OSCAR420/0.4M/NTYPEF/S/S/19](#) [ASMK010X174S11](#) [ZETA-N2-GPRS](#) [ADAPT/SMAM/RP](#) [OSCAR18/X/NF/S/S/22](#) [TANGO14/3M/SMAM/S/S/24](#)