

## Key Features

- Range of ISM frequencies covered
- 90.2 to 143mm long (depending on the frequency)
- ¼ wave radiating element
- Omnidirectional
- 2.15 to 3dBi gain



## General Description

The Delta 11 range of antennas are high quality ISM rubber flexi antennas intended for mobile applications. The Delta 11 is a great combination of good looks, quality build and cost effectiveness. The Delta 11 is used by a number of volume manufacturers due to its quality / cost effectiveness.

The standard Delta 11 is tuned to the ISM (Industrial, Scientific and Medical) radio frequency band of 433MHz. Siretta also offers this style of antenna in a number of other ISM frequency bands which include; 433, 458, 869, 916, 151 and 173MHz. The latter 2 frequencies are made using housing 143mm long, as opposed to the other 4 frequencies that are within 90.2mm long housing. The Delta 11 antenna is suited for short range, low power applications such as license-free voice communications.

## Mechanical

### Bending Test

Put away from the connector of line on 30 CM and bear 120g, fixed the connector and then test the Swing, swing Angle around each 60 degrees, swing 1000 times for test characteristics. After 1000 times Swing have no any electrical properties damaged.

### Strength Test

15 pounds of static load on the wire bottom lasted one minute. Have no any revealed mechanical and electrical damaged.

### Pull Test

Between the Connector and Wire for the Pull Test. Bear 7Kg Stuff have no any revealed mechanical and electrical damaged.

### Vibration Test

With 1.10 mm and amplitude 33.30 Hz/SEC vibration frequency to the X axis vibration 120 minutes, Y axis vibration 120 minutes, Z axis vibration 240 minutes. Have no any revealed mechanical and electrical damaged.

## Durability

### Salt Spray Test

Salt spray test: Refer to GB1266-86 standard  
Distilled water: Once Distilled PH6.5~7  
SPRAY: 1.4me80cm<sup>2</sup>/h  
Compressed air pressure: 1Kgf/ cm<sup>2</sup>  
relative degrees: 98°  
Temperature: 45°~47°  
Pressure temperature: 35°  
Test time: 96hr

### Heat Test

85+2°C for 96 hours, after keep in normal condition for 30mim the to test.

### Humidity Test

40+ 2°C 90-95%RH for 96hours, after keep in normal condition for 30mim the to test.

### Cold Test

-40+2°C for 96hours, after keep in normal condition for 30mim the to test.

Rev 1.1

### Key Specifications - Electrical

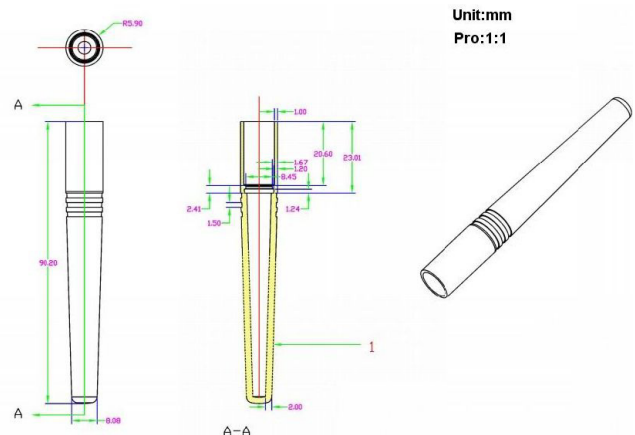
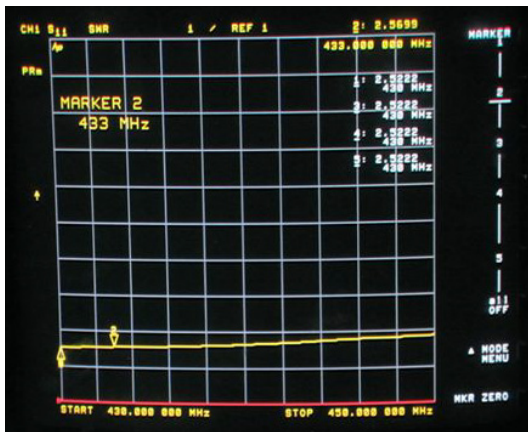
|                  |                                 |
|------------------|---------------------------------|
| Frequency:       | 151, 173, 433, 458, 869, 915MHz |
| Impedance:       | 50 ohm                          |
| VSWR:            | <3                              |
| Gain:            | 2.15 - 3dBi                     |
| Polarization:    | Vertical ¼ wave                 |
| Radiation:       | Omnidirectional                 |
| Max input power: | 50W                             |

### Key Specifications - Mechanical

|                  |   |
|------------------|---|
| Dimensions:      | 90.2 to 143mm x 50mm<br>(Length x Diameter) |
| Connector:       | SMA male                                    |
| Mounting method: | Direct connect                              |

### Test Reports

#### Stationary Wave Pattern (433MHz)



### Ordering Details

| Part number            | Description   |
|------------------------|---|
| DELTA11/X/SMAM/S/S/21  | Flexi Stubby 433MHz Antenna, SMA Male Connector (90.2mm Long) |
| DELTA11A/X/SMAM/S/S/21 | Flexi Stubby 458MHz Antenna, SMA Male Connector (90.2mm Long) |
| DELTA11B/X/SMAM/S/S/21 | Flexi Stubby 869MHz Antenna, SMA Male Connector (90.2mm Long) |
| DELTA11C/X/SMAM/S/S/21 | Flexi Stubby 915MHz Antenna, SMA Male Connector (90.2mm Long) |
| DELTA11D/X/SMAM/S/S/21 | Flexi Stubby 151MHz Antenna, SMA Male Connector (143mm Long)  |
| DELTA11E/X/SMAM/S/S/21 | Flexi Stubby 173MHz Antenna, SMA Male Connector (143mm Long)  |

## X-ON Electronics

Largest Supplier of Electrical and Electronic Components

*Click to view similar products for [SIRETTA](#) manufacturer:*

Other Similar products are found below :

[ALPHA4A/5M/SMAM/S/S/26](#) [DELTA5A/X/SMAM/S/S/17](#) [OSCAR17/X/TNC/S/S/19](#) [DELTA5A/X/BNCM/S/S/17](#) [SNYPER-LTE-SPECTRUM](#) [ASMA2000F058L13](#) [ASMA2000C058L13](#) [TANGO14/5M/LL/SMAM/S/S/24](#) [TANGO1/1M/FMEF/S/S/4](#) [ASME500F058L13](#) [TANGO3/0.5M/SMAM/S/S/31](#) [TANGO40/X/NTYPEF/S/S/32](#) [QUARTZ-W22-LTE\(EU\)+ACC](#) [ASMA500B174L13](#) [31557](#) [ECHO40/0.1M/UFL/S/S/32](#) [MIKE1A/5M/FMEF/S/S/20](#) [QUARTZ-W22-UMTS\(EU\)+ACC](#) [TANGO11A/2.5M/SMAM/S/S/19](#) [ASMA500F058L13](#) [ZETA-N-UMTS](#) [ECHO11/0.2M/IPEX/S/S/12](#) [ASMA300E174L13](#) [ASMA1000F058L13](#) [DELTA19/X/SMAM/S/S/35](#) [ASMA2000E058L13](#) [ASMZG300F058L13](#) [MIKE3A/5M/SMAM/S/S/17](#) [TANGO15/3M/SMAM/SMAM/S/S/24](#) [TANGO20/3M/SMAM/S/S/26](#) [ASMZG500A058L13](#) [ASMZG1500F058L13](#) [ALPHA1A/2.5M/SMAM/S/S/11](#) [OSCAR40/10M/LL/SMAM/S/S/33](#) [TANGO11A/5M/LL/SMAM/S/S/19](#) [TANGO29/1M/SMAM/RP/S/35](#) [ASME2000F058L13](#) [ASMK015X174S11](#) [LC300-N2-GPRS](#) [DELTA6A/X/SMAM/S/S/11](#) [MIKE1A/2.5M/FMEF/S/S/20](#) [ASMZG1000F058L13](#) [OSCAR41/X/NTYPEF/S/S/29](#) [TANGO22/3M/SMAM/SMAM/SMAM/26](#) [OSCAR420/0.4M/NTYPEF/S/S/19](#) [ASMK010X174S11](#) [ZETA-N2-GPRS](#) [ADAPT/SMAM/RP](#) [OSCAR18/X/NF/S/S/22](#) [TANGO14/3M/SMAM/S/S/24](#)