

Key Features

- 2 antennas in one
- LTE and WiFi
- Small outline Ø46mm
- IP67 rated



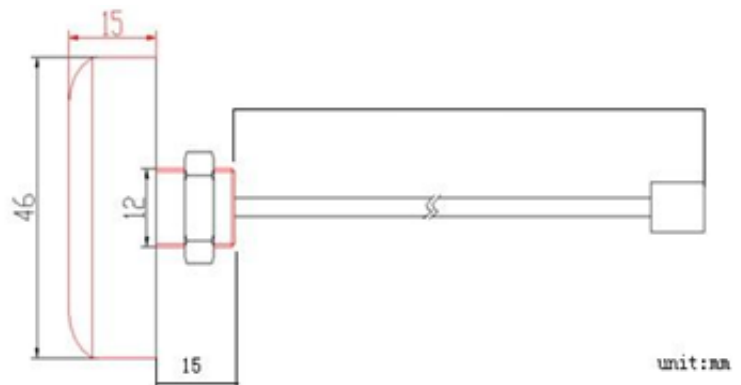
General Description

The Tango 43 answers the need for both LTE and WiFi antennas in one compact housing. Ideal for 4G/WiFi routers that are now becoming ever more popular.

The 46mm diameter x 15mm thick housing has been well proven by the Tango 19, 20, 24 and 27, all in the same package style.

The Tango 43 is great for all environmental situation being IP67 rated.

The Tango 43 cable length and connector style can be specified as required, however as standard 1m and 2.5m cable lengths and SMA male and SMA male RP connectors are supplied.



Rev 1.0

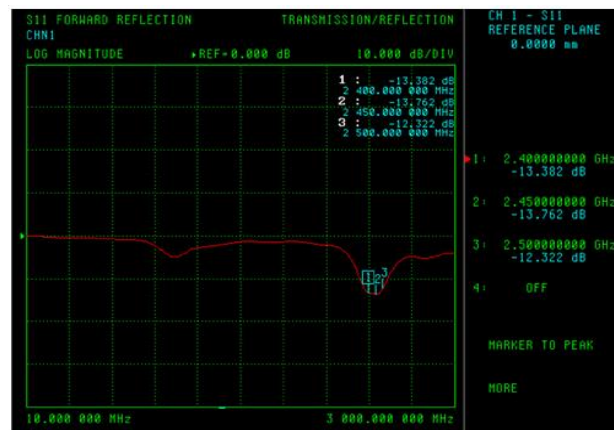
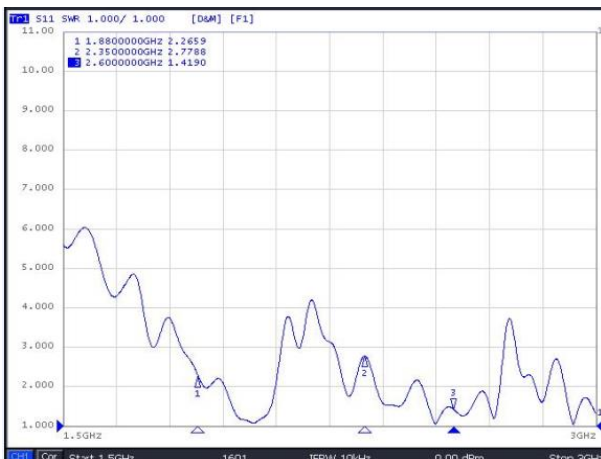
Key Specifications - Electrical

Input impedance:	50ohm
Gain:	2dBi
VSWR:	≤1.5
Frequency:	1880 - 1900 / 2400 / 2575 - 2635MHz
Max input power:	60W
Polarization:	Vertical

Key Specifications - Mechanical

Dimensions:	Ø46 x 14.5mm
Cable type:	RG174
Cable length:	As required
Connector:	SMA male / SMA male RP
Mounting:	Screw (hole/roof)

Test Reports



Ordering Details

Part Number	Description
TANGO43/0.5M/SMAM/SMAM/RP/S/S/17	Combined LTE & WiFi Antenna, 0.5m Cable, SMA Male/SMA Male RP Connector
TANGO43/1M/SMAM/SMAM/RP/S/S/17	Combined LTE & WiFi Antenna, 1m Cable, SMA Male/SMA Male RP Connector
TANGO43/2.5M/SMAM/SMAM/RP/S/S/17	Combined LTE & WiFi Antenna, 2.5m Cable, SMA Male/SMA Male RP Connector

X-ON Electronics

Largest Supplier of Electrical and Electronic Components

Click to view similar products for [SIRETTA](#) manufacturer:

Other Similar products are found below :

[ALPHA4A/5M/SMAM/S/S/26](#) [DELTA5A/X/SMAM/S/S/17](#) [OSCAR17/X/TNC/S/S/19](#) [DELTA5A/X/BNCM/S/S/17](#) [SNYPER-LTE-SPECTRUM](#) [ASMA2000F058L13](#) [ASMA2000C058L13](#) [TANGO14/5M/LL/SMAM/S/S/24](#) [TANGO1/1M/FMEF/S/S/4](#) [ASME500F058L13](#) [TANGO3/0.5M/SMAM/S/S/31](#) [TANGO40/X/NTYPEF/S/S/32](#) [QUARTZ-W22-LTE\(EU\)+ACC](#) [ASMA500B174L13](#) [31557](#) [ECHO40/0.1M/UFL/S/S/32](#) [MIKE1A/5M/FMEF/S/S/20](#) [QUARTZ-W22-UMTS\(EU\)+ACC](#) [TANGO11A/2.5M/SMAM/S/S/19](#) [ASMA500F058L13](#) [ZETA-N-UMTS](#) [ECHO11/0.2M/IPEX/S/S/12](#) [ASMA300E174L13](#) [ASMA1000F058L13](#) [DELTA19/X/SMAM/S/S/35](#) [ASMA2000E058L13](#) [ASMZG300F058L13](#) [MIKE3A/5M/SMAM/S/S/17](#) [TANGO15/3M/SMAM/SMAM/S/S/24](#) [TANGO20/3M/SMAM/S/S/26](#) [ASMZG500A058L13](#) [ASMZG1500F058L13](#) [ALPHA1A/2.5M/SMAM/S/S/11](#) [OSCAR40/10M/LL/SMAM/S/S/33](#) [TANGO11A/5M/LL/SMAM/S/S/19](#) [TANGO29/1M/SMAM/RP/S/35](#) [ASME2000F058L13](#) [ASMK015X174S11](#) [LC300-N2-GPRS](#) [DELTA6A/X/SMAM/S/S/11](#) [MIKE1A/2.5M/FMEF/S/S/20](#) [ASMZG1000F058L13](#) [OSCAR41/X/NTYPEF/S/S/29](#) [TANGO22/3M/SMAM/SMAM/SMAM/26](#) [OSCAR420/0.4M/NTYPEF/S/S/19](#) [ASMK010X174S11](#) [ZETA-N2-GPRS](#) [ADAPT/SMAM/RP](#) [OSCAR18/X/NF/S/S/22](#) [TANGO14/3M/SMAM/S/S/24](#)