



Wireless position switch

RF 95 W LR SW915

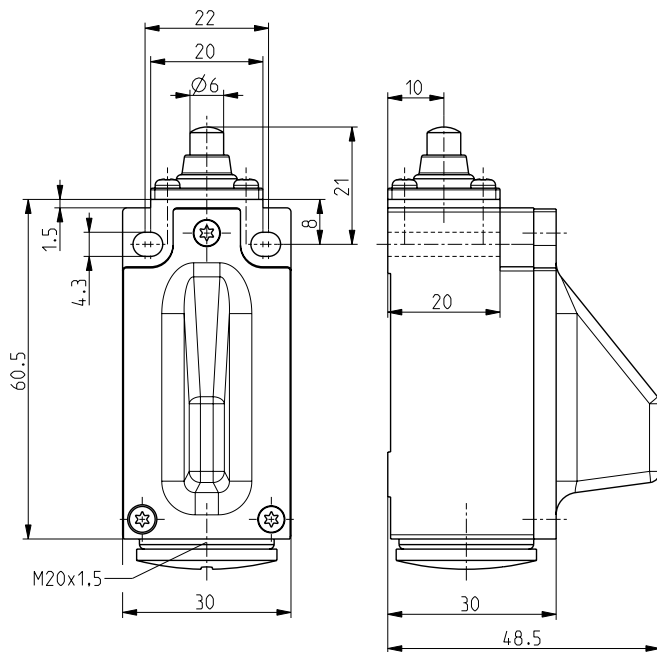
Material number: 1190527 (Material number old: 95902005)

Features/Options

- Thermoplastic enclosure
- Design to EN 50047
- sWave® wireless technology
- No power supply, no wiring and pipe laying required
- Easy programming of receiver

- Output signal can be individually configured at the receiver
- Actuator: Plunger with collar W
- Actuator type B to EN 50047
- Watertight collar for protection against penetration of dirt

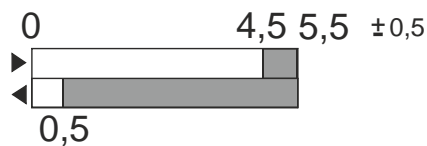
Dimensions



Technical data

| | |
|-----------------------------|---|
| Standards | EN 60947-5-1; EN 61000-6-2, -6-3, EN 61000-4-2, -4-20; EN 301 489-1; EN 301 489-3; EN 300 220-1; EN 300 220-2 |
| Enclosure | glass-fibre reinforced, shock-proof thermoplastic, self-extinguishing UL 94-V0 |
| Cover | glass-fibre reinforced, shock-proof thermoplastic, self-extinguishing UL 94-V0 |
| Tightening torque | mounting screw enclosure: max. 1.2 ... 1.3 Nm |
| Degree of protection | IP 67 to IEC/EN 60529 |
| Protocol | sWave® |
| Ambient temperature | -20 °C ... +65 °C |
| Operation cycles | approx. 12000 telegrams at repetitions/h |
| Voltage supply | Electrodynamic energy generator |
| Frequency | 915 MHz (USA, Canada and Australia) |
| Transmission power | < 10 mW |
| Data rate | 66 kbps |
| Channel bandwidth | 400 kHz |
| Sensing range | max. 450 m outside, max. 40 m inside |
| Mechanical life | > 1 million operations |
| Actuating time | min. 80 ms |
| Note | no status signal available |
| Approvals | USA: FCC: XK5-RF95SW915SR; Canada: IC: 5158A-RF95SW915SR |
| Weight | 66 g |

Switching diagram



Errors and omissions excepted.

X-ON Electronics

Largest Supplier of Electrical and Electronic Components

Click to view similar products for [Other Tools](#) category:

Click to view products by [ZF Cherry](#) manufacturer:

Other Similar products are found below :

[CR-05FL7--150R](#) [CR-05FL7--698K](#) [899-2-KT46](#) [899-5-KT46](#) [CR-0AFL4--332K](#) [CR-12FP4--260R](#) [5718X-01PD-19RO](#)
[CRCW04021100FRT7](#) [CRCW04021961FRT7](#) [5800-0090](#) [CRCW04024021FRT7](#) [CRCW040254R9FRT7](#) [CRCW0603102JRT5](#) [59065-5](#) [00-8273-RDPP](#) [00-8729-WHPP](#) [593033](#) [593058](#) [593072](#) [593564100](#) [593575](#) [593591](#) [593593](#) [LTLA506SBLAMNBL](#) [CRCW08052740FRT1](#)
[LUC-012S070DSM](#) [LUC-018S070DSP](#) [599-2021-3-NME](#) [599-JJ-2021-03](#) [00-5080-YWPP](#) [5E4750/01-20R0-T/R](#) [LW1A-L1-GD](#) [LW1A-L1-GL](#) [LW1A-P1-GD](#) [LW1L-A1C10V-GL](#) [LW1L-M1C70-A](#) [0202-0173](#) [00-9089-RDPP](#) [CRCW2010331JR02](#) [01-1003W-8/32-10](#) [601-GP-08-KT39](#) [601-JJ-06](#) [601-SPB](#) [601YSY](#) [602-JJ-03](#) [602SPB](#) [602Z](#) [603-JJ-07-FP](#) [603-JJY-04](#) [604J](#)