



Wireless magnetic sensor RF RC M30 SW915 KST Material number: 1362227

Features/Options

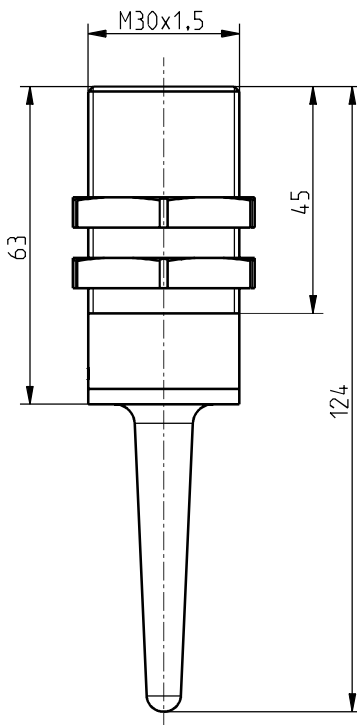
- Thermoplastic enclosure
- sWave® wireless technology
- Power supply by Lithium battery

Notes

- 2 mounting nuts are included in delivery
- The actuator is not included in the delivery of the switches

- No wiring and pipe laying required
- Easy programming of receiver
- Output signal can be individually configured at the receiver

Dimensions



Technical data

Standards	EN 60947-5-1; EN 61000-6-2, -6-3, EN 61000-4-2, -4-20; EN 301 489-1; EN 301 489-3; EN 300 220-1; EN 300 220-2
Enclosure	PVC-C
Degree of protection	IP 67 to IEC/EN 60529
Protocol	sWave®
Ambient temperature	-25 °C ... +65 °C
Switching system	Reed contact
Switching distance	M 100: $s_n > 15$ mm; M 100: $s_a 0 \dots 12,15$ mm M 30 Niro: $s_n > 30$ mm; M 30 Niro: $s_a 0 \dots 24,3$ mm
Hysteresis	< 1 mm
Operation cycles	approx. 12000 telegrams at repetitions/h
Voltage supply	Lithium-battery CR 2032 (replaceable)
Current absorption	without transmissions: Reed contact: approx. 1 μ A
Capacity	approx. 240 mAh
Frequency	915 MHz (USA, Canada and Australia)
Transmission power	< 10 mW
Data rate	66 kbps
Channel bandwidth	400 kHz
Sensing range	max. 450 m outside, max. 40 m inside
Mechanical life	> 1 million operations
Battery life	approx. 10 years unused, Reedschalter: approx. 6 years with 1 actuation per min.
Actuating time	min. 80 ms
Approvals	USA: FCC: XK5-RFRXSW915; Canada: IC: 5158A-RFRXSW915

Errors and omissions excepted.

X-ON Electronics

Largest Supplier of Electrical and Electronic Components

Click to view similar products for [Other Tools](#) category:

Click to view products by [ZF Cherry](#) manufacturer:

Other Similar products are found below :

[CR-05FL7--150R](#) [CR-05FL7--698K](#) [899-2-KT46](#) [899-5-KT46](#) [CR-0AFL4--332K](#) [CR-12FP4--260R](#) [5718X-01PD-19RO](#) [CRCW04021100FRT7](#)
[CRCW04021961FRT7](#) [5800-0090](#) [CRCW04024021FRT7](#) [CRCW040254R9FRT7](#) [CRCW0603102JRT5](#) [59065-5](#) [00-8273-RDPP](#) [00-8729-WHPP](#)
[593033](#) [593058](#) [593072](#) [593564100](#) [593575](#) [593591](#) [593593](#) [LTI LA506SBLAMNBL](#) [CRCW08052740FRT1](#) [LUC-012S070DSM](#) [LUC-](#)
[018S070DSP](#) [599-2021-3-NME](#) [599-JJ-2021-03](#) [00-5080-YWPP](#) [5E4750/01-20R0-T/R](#) [LW1A-L1-GD](#) [LW1A-L1-GL](#) [LW1A-P1-GD](#) [LW1L-](#)
[A1C10V-GL](#) [LW1L-M1C70-A](#) [0202-0173](#) [00-9089-RDPP](#) [CRCW2010331JR02](#) [01-1003W-8/32-10](#) [601-GP-08-KT39](#) [601-JJ-06](#) [601-SPB](#)
[601YSY](#) [602-JJ-03](#) [602SPB](#) [602Z](#) [603-JJ-07-FP](#) [603-JJY-04](#) [604J](#)