



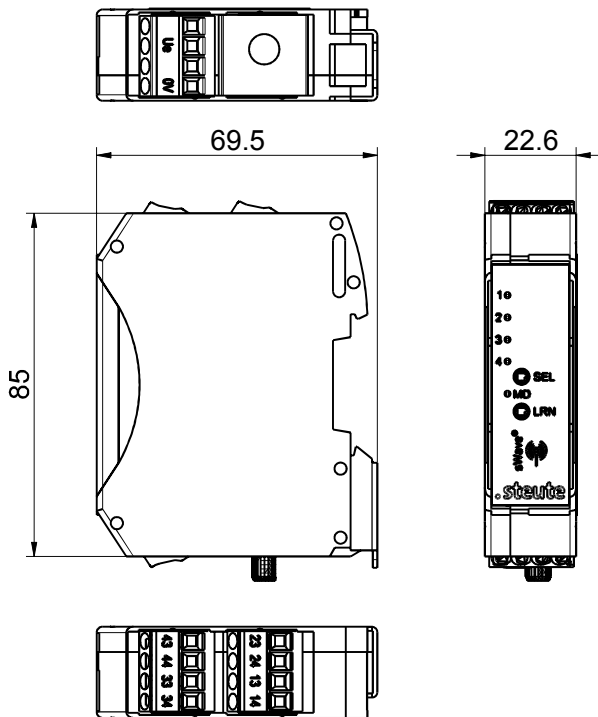
Wireless receivers with relay outputs RF Rx SW915-4S 24VDC Material number: 1370677

Features/Options

- sWave® wireless technology
- 4 potential-free relay outputs
- 4 NO contacts, max. 3 A

- Transmitter/receiver assignment by teaching mode
- LEDs for indication of switching state
- SMA reverse plug-in connector for external antenna

Dimensions



Technical data

Standards	EN 60947-5-1; EN 61000-6-2, -6-3, EN 61000-4-2, -4-20, -4-4, -4-5, -4-6; EN 60068-2-6, EN 60068-2-27; EN 301 489-1; EN 301 489-3; EN 300 220-1; EN 300 220-2
Number of channels	4
Mounting	DIN rail mounting
Connection	screw terminals 0.14 mm ² - 2,5 mm ² , stripping length 8 mm
Degree of protection	IP 20 to IEC/EN 60529
Inputs	4 wireless channels, max. 40 transmitters
Outputs	4 NO contacts (relay)
Rated operating current I_e	24 VDC: max. 0.1 A
Rated operating voltage U_e	24 VDC -15 % ... +10 %
I_e/U_e of output contacts	3 A / 250 VAC; 3 A / 24 VDC
Utilisation category	AC-15; DC-13
U_i	250 VAC
U_{imp}	2.5 kV
Frequency	915 MHz (USA, Canada and Australia)
Display	green LED: operating state, orange LED: switching conditions
Operation cycles	approx. 12000 telegrams at repetitions/h
Degree of pollution	2 to IEC/EN 60664-1
Ambient temperature	0 °C ... +55 °C
Storage and shipping temperature	-25 °C ... +85 °C
External antenna	always required for optimum sensing range
Note	Inductive loads (contactors, relays etc.) are to be suppressed by suitable circuitry. Switching contacts are not suitable for capacitive loads.
Approvals	USA: FCC: XK5-RFRXSW915; Canada: IC: 5158A-RFRXSW915

Arrangement of receiver and switch antenna



Optimum mounting

Possible mounting

Unsuitable mounting

Note

Magnetic base antennae must be mounted on a metal plate of min. 250 x 250 mm size.



Errors and omissions excepted.

X-ON Electronics

Largest Supplier of Electrical and Electronic Components

Click to view similar products for [Other Tools](#) category:

Click to view products by [ZF Cherry](#) manufacturer:

Other Similar products are found below :

[CR-05FL7--150R](#) [CR-05FL7--698K](#) [899-2-KT46](#) [899-5-KT46](#) [CR-0AFL4--332K](#) [CR-12FP4--260R](#) [5718X-01PD-19RO](#)
[CRCW04021100FRT7](#) [CRCW04021961FRT7](#) [5800-0090](#) [CRCW04024021FRT7](#) [CRCW040254R9FRT7](#) [CRCW0603102JRT5](#) [59065-5](#) [00-8273-RDPP](#) [00-8729-WHPP](#) [593033](#) [593058](#) [593072](#) [593564100](#) [593575](#) [593591](#) [593593](#) [LTLA506SBLAMNBL](#) [CRCW08052740FRT1](#)
[LUC-012S070DSM](#) [LUC-018S070DSP](#) [599-2021-3-NME](#) [599-JJ-2021-03](#) [00-5080-YWPP](#) [5E4750/01-20R0-T/R](#) [LW1A-L1-GD](#) [LW1A-L1-GL](#) [LW1A-P1-GD](#) [LW1L-A1C10V-GL](#) [LW1L-M1C70-A](#) [0202-0173](#) [00-9089-RDPP](#) [CRCW2010331JR02](#) [01-1003W-8/32-10](#) [601-GP-08-KT39](#) [601-JJ-06](#) [601-SPB](#) [601YSY](#) [602-JJ-03](#) [602SPB](#) [602Z](#) [603-JJ-07-FP](#) [603-JJY-04](#) [604J](#)