



Wireless universal transmitter RF I/O SW915-4E Material number: 1432305

Features/Options

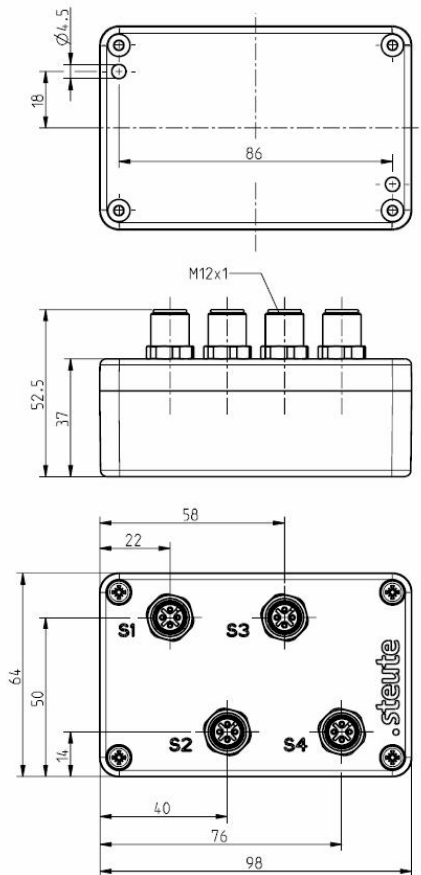
- Thermoplastic enclosure
- sWave® wireless technology

Note

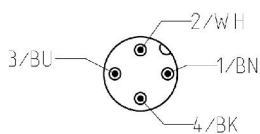
- The RF I/O may be used in combination with an wireless inductive sensor RF IS
- Connection of external switching contact (potentialfree contact) with gold contacts possible.
- Delivery does not include protective caps.

- No wiring and pipe laying required
- Power supply by Lithium battery
- Easy programming of receiver
- Output signal can be individually configured at the receiver

Dimensions



Pin-assignment



Colour coding only valid for
Coupling 4-poles mat. no. 1215497 and
Coupling 4-poles mat. no. 1262873

Technical Data

Standards	EN 60947-5-1; EN 61000-6-2, -6-3, EN 61000-4-2, -4-20; EN 301 489-1; EN 301 489-3; EN 300 220-1; EN 300 220-2
Enclosure	ABS (Acrylnitril-Butadien-Styrol)
Connection	4 x Plug-in connector M12 x 1; 4-pole
Degree of protection	IP 67 to IEC/EN 60529
Wireless protocol	sWave®
Ambient temperature	-20 °C ... +65 °C
Operation cycles	approx. 12000 telegrams at repetitions/h
Switching frequency	max. 5 Hz
Standby current	60 µA
Voltage supply	Lithium battery Tadiran SL-760 (Europe); TL-5903 (North America) system Li/SOCl ₂ ; (replaceable)
Nominal voltage	3.6 V
Capacity	2.2 Ah
Frequency	915 MHz (USA, Canada and Australia)
Transmission power	< 10 mW
Data rate	66 kbps
Channel bandwidth	400 kHz
Sensing range	max. 450 m outside, max. 40 m inside
Battery life	depending on the switching frequency and number and type of sensors for 1000 transfers/day and one inductive sensor approx. 300 days; for 1000 transfers/day and one mechanical switch approx. 1400 days
Actuating time	min. 80 ms
Approvals	USA: FCC: XK5-RFRXSW915; Canada: IC: 5158A-RFRXSW915
	FCC IC
Note	Transmission of battery voltage; status signal: individually adjustable via jumper, no, 10 s, 100 s, 1000 s, 10 000 s

Errors and omissions excepted.



Wireless universal transmitter RF I/O SW915-4E Material number: 1432305

Features/Options

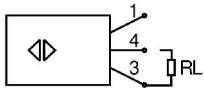
- Thermoplastic enclosure
- sWave® wireless technology

Note

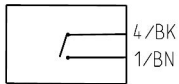
- The RF I/O may be used in combination with an wireless inductive sensor RF IS
- Connection of external switching contact (potentialfree contact) with gold contacts possible.
- Delivery does not include protective caps.

- No wiring and pipe laying required
- Power supply by Lithium battery
- Easy programming of receiver
- Output signal can be individually configured at the receiver

Sensors



External switch contact



X-ON Electronics

Largest Supplier of Electrical and Electronic Components

Click to view similar products for [Other Tools](#) category:

Click to view products by [ZF Cherry](#) manufacturer:

Other Similar products are found below :

[CR-05FL7--150R](#) [CR-05FL7--698K](#) [899-2-KT46](#) [899-5-KT46](#) [CR-0AFL4--332K](#) [CR-12FP4--260R](#) [5718X-01PD-19RO](#) [CRCW04021100FRT7](#)
[CRCW04021961FRT7](#) [5800-0090](#) [CRCW04024021FRT7](#) [CRCW040254R9FRT7](#) [CRCW0603102JRT5](#) [59065-5](#) [00-8273-RDPP](#) [00-8729-WHPP](#)
[593033](#) [593058](#) [593072](#) [593564100](#) [593575](#) [593591](#) [593593](#) [LTI LA506SBLAMNBL](#) [CRCW08052740FRT1](#) [LUC-012S070DSM](#) [LUC-](#)
[018S070DSP](#) [599-2021-3-NME](#) [599-JJ-2021-03](#) [00-5080-YWPP](#) [5E4750/01-20R0-T/R](#) [LW1A-L1-GD](#) [LW1A-L1-GL](#) [LW1A-P1-GD](#) [LW1L-](#)
[A1C10V-GL](#) [LW1L-M1C70-A](#) [0202-0173](#) [00-9089-RDPP](#) [CRCW2010331JR02](#) [01-1003W-8/32-10](#) [601-GP-08-KT39](#) [601-JJ-06](#) [601-SPB](#)
[601YSY](#) [602-JJ-03](#) [602SPB](#) [602Z](#) [603-JJ-07-FP](#) [603-JJY-04](#) [604J](#)