



# QSFP+ Passive Copper Cables

Volex's QSFP+ passive copper cable assemblies are a cost-effective, low-power alternative to optical modules for short reach links in high-speed interconnect applications. The QSFP+ replaces four standard SFP+ connections, providing greater density and reducing system costs of high performance computing (HPC), enterprise network switching and network storage deployments.

Volex's QSFP+ assemblies combine twin-axial shielded cable with robust die cast housing and actuating pull latch. The overmold technique used in fabrication for these cables provides additional strain relief and minimizes conductor pistoning. These assemblies can be integrated into belly-to-belly and side-stacked configurations

## Features and Specifications

|                      |  |
|----------------------|--|
| Product Type         | Passive Copper   |
| Conductor Sizes      | 25 – 30 AWG conductor sizes available to achieve maximum performance up to 7m  |
| Conductor Treatment  | Laser Stripped Conductors  |
| Cable Type           | PVC  |
| Cable Color          | Black  |
| Packaging            | PE Bag   |
| Power Supply Voltage | 3.3 V  |
| Temperature Range    | 0 – 70° C  |
| Retention Force      | Minimum 90 N, Maximum 170 N  |
| Insertion Force      | Maximum 40 N   |
| Options Include      | Customer specified EEPROM Map<br>Cable length<br>Low Smoke, Zero Halogen (LSZH) jackets<br>Custom colors for pull tab and cable jacket |

*Volex reserves the right to change specifications and availability without prior notice*

## APPLICATIONS

- Ethernet 10G, 40G
- Fiber Channel 8G, 14G
- Myrinet 40G
- Networking
- Storage
- Hubs, switches, routers, and servers

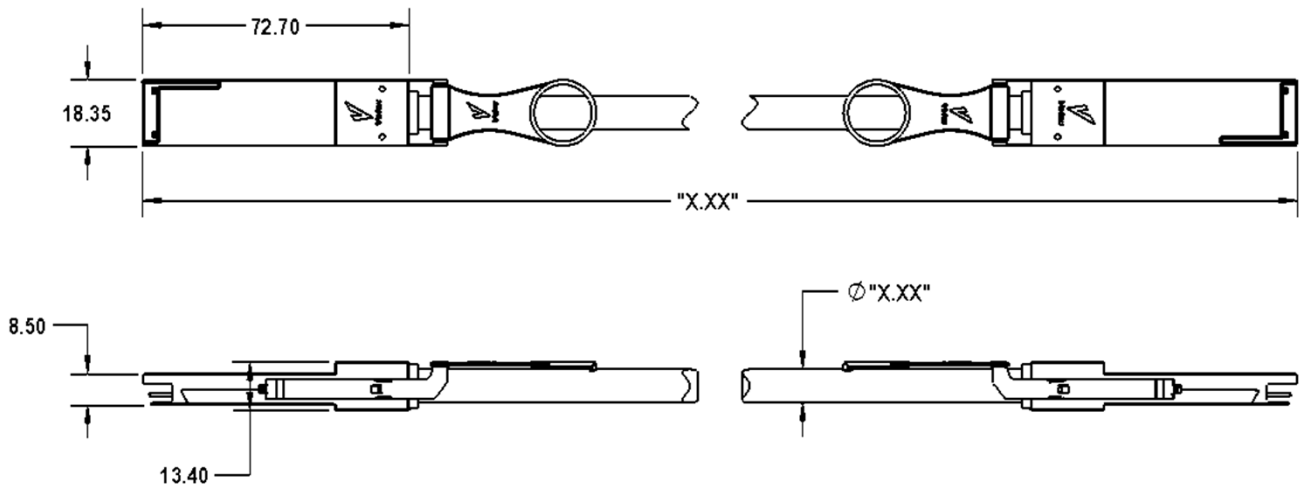
## STANDARDS COMPLIANCE

- InfiniBand 4x SDR, DDR, QDR, and FDR
- Electrical: InfiniBand Architecture Specification Volume 2, Release 1.3.1
- IEEE P802.3ba
- RoHS

# Mechanical Drawing



END VIEW



| VOLEX P/N     | CABLE LENGTH, M | AWG | CABLE DIAMETER, MM | 25-30 AWG conductor sizes are used to achieve maximum performance up to 7m.   |
|---------------|-----------------|-----|--------------------|---|
| VQSFPQ30YP050 | 0.50            | 30  | 6.6                | <b>Options available</b> <ul style="list-style-type: none"> <li>• Low Smoke, Zero Halogen (LSZH) jackets</li> <li>• Custom cable lengths up to 7m</li> <li>• Custom colors for pull tab</li> <li>• Custom EEPROM mapping</li> </ul> Contact us at <a href="mailto:sales@volex.com">sales@volex.com</a> for assistance in finding the right solution for your needs. |
| VQSFPQ30YP075 | 0.75            | 30  | 6.6                |   |
| VQSFPQ30YP100 | 1.00            | 30  | 6.6                |   |
| VQSFPQ30YP150 | 1.50            | 30  | 6.6                |   |
| VQSFPQ30YP200 | 2.00            | 30  | 6.6                |   |
| VQSFPQ30YP250 | 2.50            | 30  | 6.6                |   |
| VQSFPQ28YP300 | 3.00            | 28  | 7.5                |   |
| VQSFPQ28YP400 | 4.00            | 28  | 7.5                |   |
| VQSFPQ26YP500 | 5.00            | 26  | 8.8                |   |

**VOLEX WORLDWIDE: MANUFACTURING ● SALES OFFICES ● DISTRIBUTION HUBS ●**



**Americas**  
 Volex Inc.- Austin  
 Tel: +1 (800) 246 2673  
 Email: [sales@volex.com](mailto:sales@volex.com)



**Asia Pacific**  
 Volex Inc.- Singapore  
 Tel: +65 6788 7833  
 Fax: +65 6788 7822  
 Email: [salesAP@volex.com](mailto:salesAP@volex.com)



**Greater China**  
 Volex Interconnect Systems (Suzhou, China) Co., Ltd  
 Tel: +86-512-6258-6673  
 Fax: +86-512-6275-6670  
 Email: [salesGC@volex.com](mailto:salesGC@volex.com)

**EMEA**  
 Volex Europe Ltd  
 Co.Mayo, Ireland  
 Tel: +353 9490 37480  
 Email: [sales@volex.com](mailto:sales@volex.com)

## X-ON Electronics

Largest Supplier of Electrical and Electronic Components

*Click to view similar products for [Volex manufacturer](#):*

Other Similar products are found below :

[17237 8 B1](#) [VQSFPQ30YP100](#) [17635 10 S2](#) [2145H 10 H50](#) [8490-10](#) [17000A 10 B1](#) [17461](#) [2111H](#) [17503 10 B1](#) [17251](#) [17616 10 B1](#)  
[17612-BLK-B1](#) [17743-BLK-B1](#) [17962 10 C3](#) [9415-10-15](#) [17272A 10 B1](#) [17666-BLK-C3](#) [17447-10-S2](#) [17606 10 B1](#) [2116H 10 C3](#) [2158H](#)  
[VL-0836-14-300](#) [17614 10 B1](#) [17600 10 C3](#) [17030 8 S2](#) [2115H 10 C3](#) [17463 10 S2](#) [40230 8](#) [17651 10 C3](#) [17602-BLK-B1](#) [17001A 10 B1](#)  
[17509 10 B1](#) [17513A 10 B1](#) [17615-10-C3](#) [6491](#) [17270A 10 B1](#) [17020A 8 S2](#) [17425-BLK-S2](#) [17745 10 B1](#) [17507 10 B1](#) [17031 8 S2](#) [6482](#)  
[17625 10 B1](#) [17419](#) [40414 10](#) [17600 10 B1](#) [6479](#) [6483](#) [17523](#) [17462](#)