

SRA2 series

dual solid-state relay

DURAKOOL



- 2 x SSR's in single package
- High load voltage - up to 480VAC
- 4 - 32VDC control voltage
- Zero cross-over
- 2 x LED control input indicators
- RoHS Compliant

CE

Output (load)

Load type		2 x SPST-NO (1 N/O) Resistive
Load current		10A, 15A, 20A, 25A, 30A, 40A
Load switching voltage	AC V _{rms}	24 to 240VAC, 40 - 480V
Maximum peak voltage	AC V _{pk}	900V
Switch type		Zero Cross-over
On voltage drop	V AC	1.5V
Leakage current (off state)	mA	≤ 7mA

Input (control)

Control voltage	V	D: 4 - 32VDC
Control current	mA	< 20mA
Turn-on voltage	V _{min}	D: 3VDC
Turn-off voltage	V	D: 1VDC

Insulation

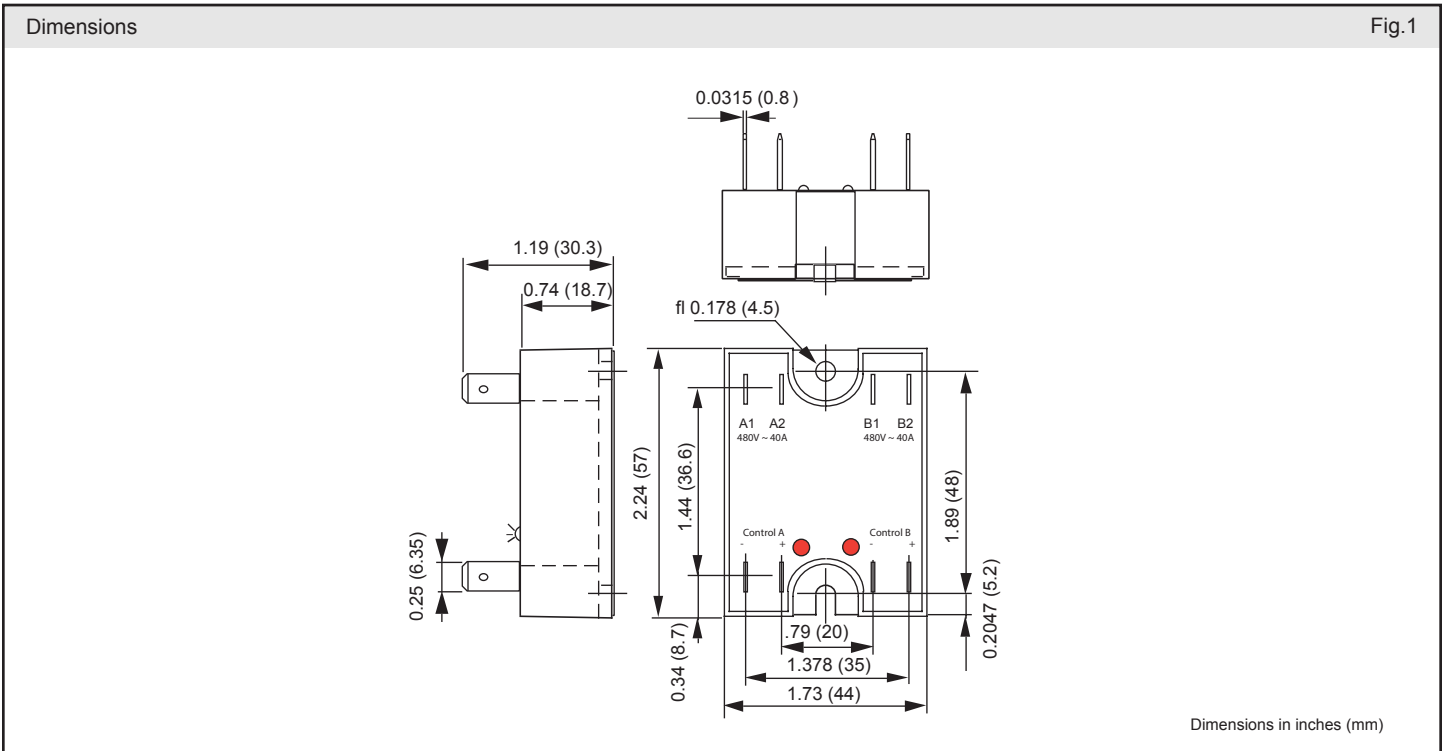
Insulation resistance		≤ 500MΩ at 500VDC, 50%RH
Dielectric strength	V AC	≥ 2500V

General Data

Operating time	mS	≤ 10ms
Release time	mS	≤ 10ms
Dimensions	L x W x H	57 x 44 x 30.3mm
Weight		98g
Ambient temperature	storage	-30 to 80°C
	operating	-30 to 80°C (with derating). A heat sink may be required.

SRA2 series

dual solid-state relay



Ordering Code

S	R	A	2	Z	-	40	K	-	D
---	---	---	---	---	---	----	---	---	---

Switch Function

Z	-	Zero Crossover
---	---	----------------

Load Current Rating

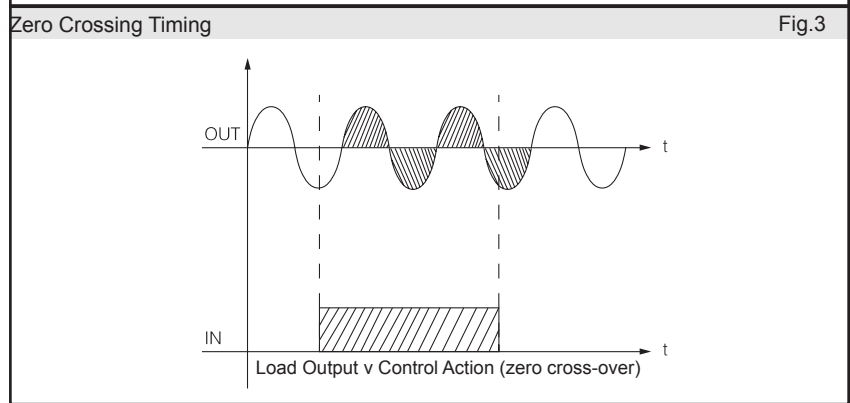
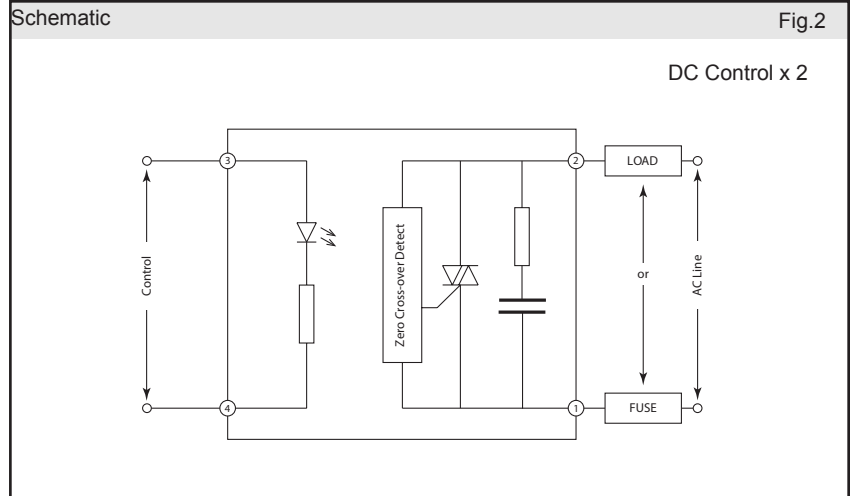
10	-	10A
15	-	15A
20	-	20A
25	-	25A
30	-	30A
40	-	40A

Load Voltage

L	-	24 to 240VAC
K	-	40 to 480VAC

Control Voltage Input

D	-	4 to 32VDC
---	---	------------



X-ON Electronics

Largest Supplier of Electrical and Electronic Components

Click to view similar products for [Durakool](#) manufacturer:

Other Similar products are found below :

[DG85B-8011-35-1012](#) [SDA3Z-30K-A 4859](#) [DFC3-301](#) [DM84-2012-35-1012](#) [SDA1Z-40K-D](#) [DM85-2011-35-1012](#) [SRA3Z-60K-D](#) [DHS01](#)
[SDA1Z-15K-D](#) [SDA1Z-80K-A](#) [SDA1Z-80K-D](#) [SRA1Z-25K-D](#) [SDA3Z-30K-D](#) [DM84-2012-35-5012](#) [SRA3Z-80K-D](#) [DHS02](#) [SRA1Z-10K-](#)
[D](#) [SRA3Z-60K-A](#) [SRA1Z-40K-D](#) [A1/2-001](#) [SRA1Z-60K-A](#) [SRA1Z-40K-A](#) [SIM212-12VDC](#) [SRA1Z-10K-A](#) [A1B-003](#) [DG85B-](#)
[8021-96-1012-M1](#) [DM84-2012-35-1024](#) [DG85C-8021-75-1012](#) [SRA1Z-25K-A](#) [DG20-8011-35-1012](#) [SRA1Z-60K-D](#) [SRA1Z-100K-A](#) [5002](#)
[SRA2Z-40K-D](#) [SRA1Z-40L-A](#) [SRD-SGR2-M03](#) [DG85CM-5021-76-1012](#) [SRA1Z-15L-D](#) [DG85B-8011-96-1012-M1](#) [SIM112 16VDC](#)
[SRA1Z-80K-A](#) [SRA1Z-25L-A](#) [DTP1](#) [SRA1Z-100K-D](#) [SRA1Z-15L-A](#) [SRA1Z-100L-D](#) [SRA1Z-25L-D](#) [SRA1Z-40L-D](#) [SRA1Z-60L-A](#)