

A01ES-D

Emergency stop switches

Distinctive features and specifications



A01ESD1701A-R1

- ❑ Approved to EN 60947-5-5
- ❑ 5 prominent red actuator styles
- ❑ Locked/unlocked status indicator
- ❑ AC15 1,5A 250VAC, 6A 250VAC
- ❑ Panel sealed to IP65

ENVIRONMENTAL SPECIFICATIONS

- Sealing options : front panel IP65, rear panel IP40 according to EN60947-5-5
- Operating temperature : -20°C to +55°C

ELECTRICAL SPECIFICATIONS

- Electrical function : push to shut off, twist to release
- Current/voltage rating : AC-15 1,5A 250VAC, 6A 250VAC
- Electrical life : 6.050 cycles
- Contact gap : > 3mm
- Insulation resistance : 50MΩ min
- Dielectric test voltage : 2900V

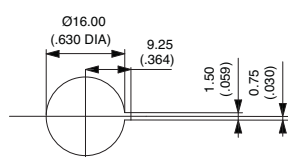
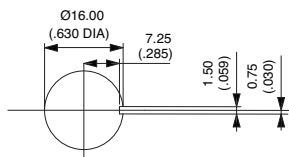
GENERAL SPECIFICATIONS

- Panel thickness : 6mm (.236) max.
- Mechanical life : 6050 cycles
- Operating force : 18 to 20N
- Torque : 0.8Nm
- Soldering : 350C, 5 seconds (IEC 68-2-2-20Tb, method 2)
- Switch terminals : solder/ quick-connect 2.8mm (.110) (IEC 68-2-20)

PANEL CUT-OUT

A01ES-DM - A01ES-DSP3

A01ES-D - A01ES-DF1 - A01ES-DF2



MATERIALS

- Operator case : polyetherimide
- Actuator : polycarbonate
- Switch block : PBT
- Panel seal : neoprene

AGENCY APPROVAL

Switch block approved to
UL 1054 / VDE / EN 61058-1

The company reserves the right to change specifications without notice.

A01ES-D

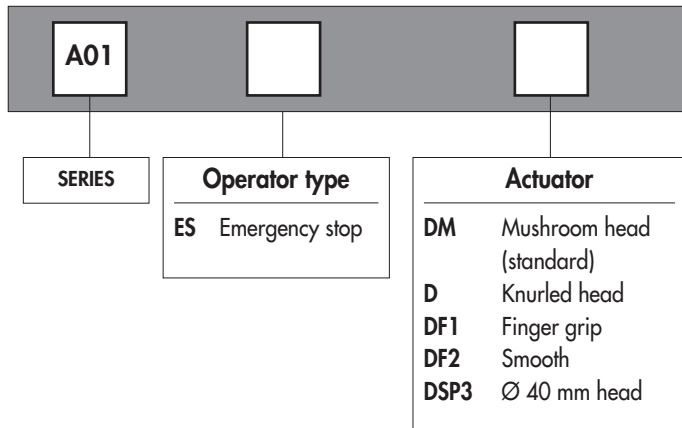
Emergency stop switches

Overview

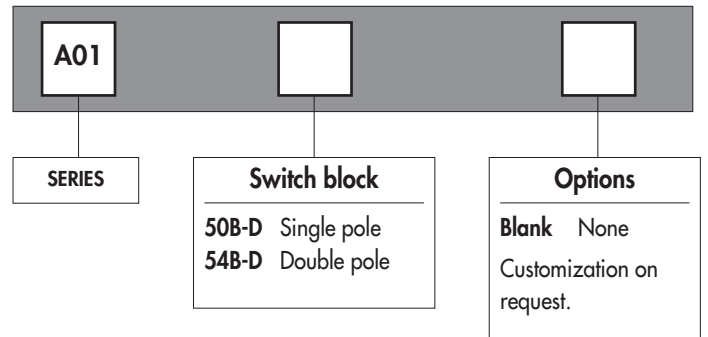
HOW TO ORDER

An emergency stop switch assembly requires : 1 operator + 1 switch block.

OPERATOR



SWITCH BLOCK



D

Example A01ES-D + A0154B-D

Ø 16 mm red twist to reset, standard actuator with double pole positive break switch block.



Dimensions : first dimensions are in mm while inches are shown as bracketed numbers.

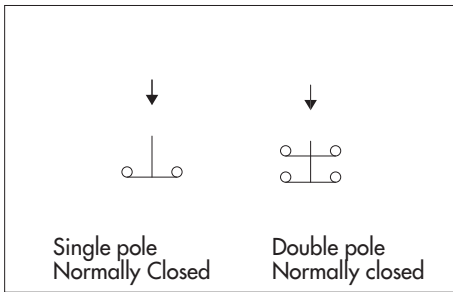


Mounting accessories : Standard hardware supplied : 1 nut and 1 flat panel seal.

A01ES-D

Emergency stop switches

Panel cut-out \varnothing 16 mm (.629)



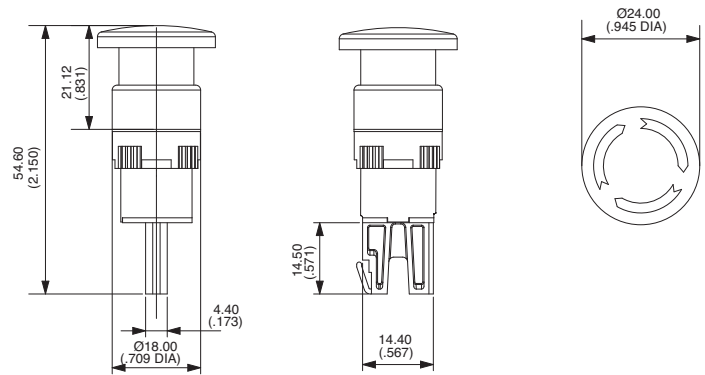
OPERATOR



Mushroom head actuator - standard



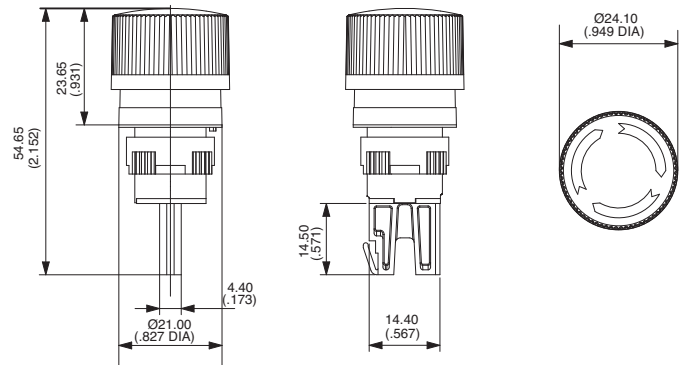
A01ES-DM



Knurled head actuator



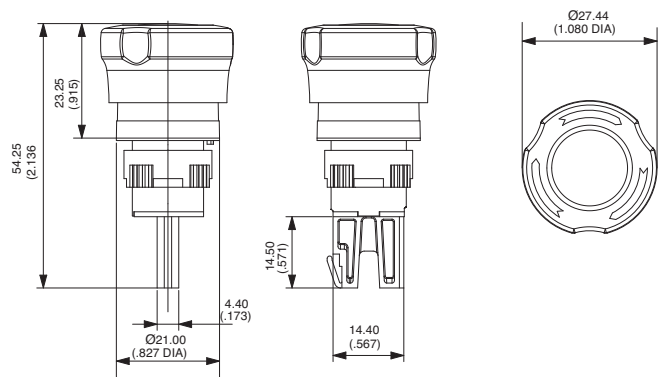
A01ES-D



Finger grip actuator



A01ES-DF1



A01ES-D

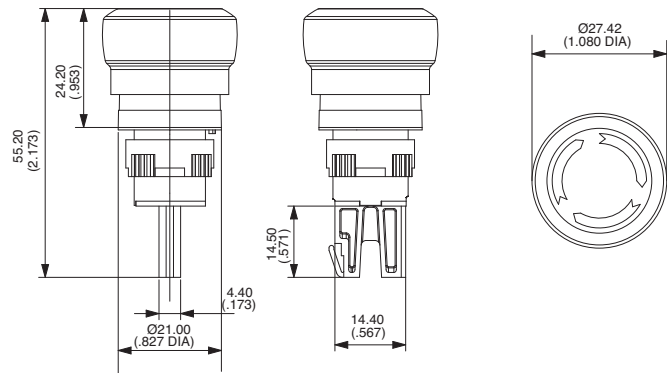
Emergency stop switches

Panel cut-out Ø 16 mm (.629)

Smooth actuator



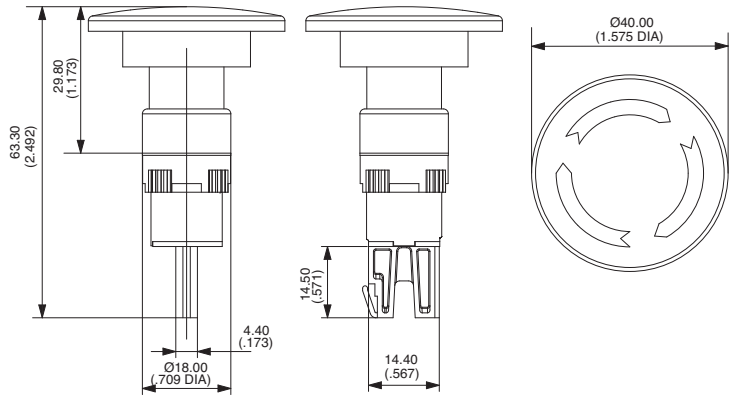
A01ES-DF2



Ø 40 mm head actuator



A01ES-DSP3

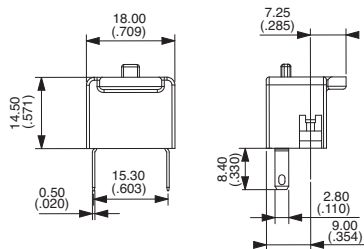


SWITCH BLOCK

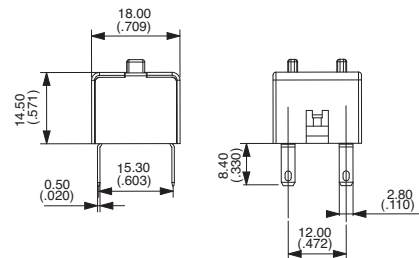


Customization on request, please contact APEM.

Single pole : A0150B-D



Double pole : A0154B-D



Accessory : Ø 60 mm self adhesive Label



English text A01YL1
 Without text A01YL2
 French text A01YL3
 Italian text A01YL4
 Other languages on request.

Accessory : nut tool



Part number : 30-0001

X-ON Electronics

Largest Supplier of Electrical and Electronic Components

Click to view similar products for [apem](#) manufacturer:

Other Similar products are found below :

[48](#) [TW11GRY1](#) [SLB13814](#) [SLC120025](#) [DA04T](#) [Q6F1CXXB24](#) [SLG12004](#) [SLB1281R5](#) [DPL-02](#) [DA08](#) [5D15F1534](#) [M11L0A1M](#)
[M11L0B1M](#) [M21L0E1C](#) [M31L0M1M](#) [CW-A0BK1A00A0](#) [MAB6B](#) [A019101](#) [A019305](#) [A019409](#) [A029301](#) [A1PCA0X106J103](#)
[Q16F1BXXR12E](#) [Q22F1BXXY12E](#) [Q22F1CXXB24E](#) [Q22F1CXXG12E](#) [Q8P1BXXY110E](#) [Q8P3BXXG12E](#) [Q8P7BZZRYG12E](#)
[Q8R3BXXG02E](#) [121442RA](#) [HF-33S10](#) [HF44R11](#) [HF45R10](#) [HFX44S00](#) [DMR10](#) [DSR04T](#) [AV0830C900](#) [AV19810KMZB](#) [MSS22](#)
[BD150A01RE0000](#) [BD150D02BK1200](#) [HS1T24GA](#) [1D09034](#) [1Z03](#) [1ZZ](#) [NZAA0477](#) [NZAA1475](#) [NZAB1475](#) [NZAB1477](#)