

Max. 205 m³/h

DC axial fans

□ 119 x 38 mm



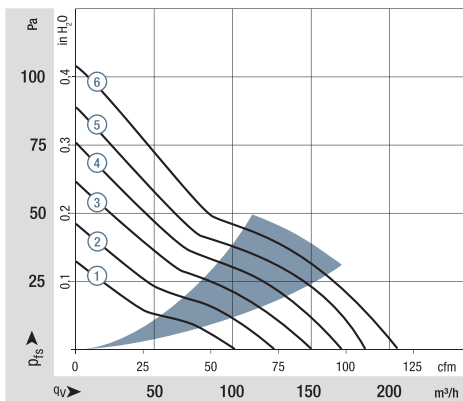
- **Material:** Housing: GRP¹⁾ (PBT)
Impeller: GRP¹⁾ (PA)
 - **Direction of air flow:** Exhaust over struts
 - **Direction of rotation:** Clockwise,
looking towards rotor
 - **Connection:** Via single wires AWG 24,
TR 64
 - **Weight:** 270 g
- **Possible special versions:**
(See chapter DC fans - specials)
 - Speed signal
 - Go / NoGo alarm
 - Alarm with speed limit
 - External temperature sensor
 - Internal temperature sensor
 - PWM control input
 - Analog control input
 - Moisture protection
 - Degree of protection: IP 54

1) Fiberglass-reinforced plastic

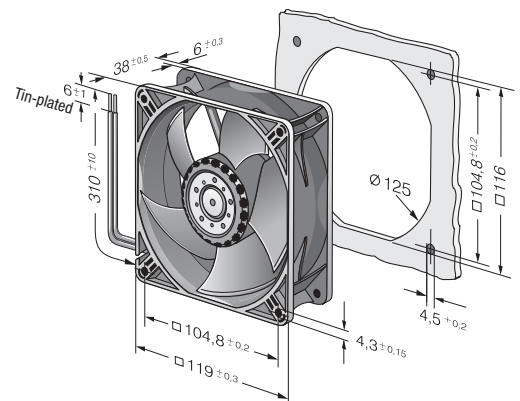
Series 4400														
Nominal data	Air flow		Nominal voltage	Voltage range	Sound pressure level	Sound power level	Sinter sleeve bearings Ball bearings	Power consumption	Nominal speed	Temperature range	Service life L ₁₀ (40 °C) ebm-papst standard	Service life L ₁₀ (T _{max}) ebm-papst standard	Life expectancy L ₁₀ IPC (40 °C) see page 17	Curve
	m ³ /h	cfm												
4412 L	150	88	12	7...14	37	5.0	■	2.2	2 700	-20...+80	67 500 / 22 500	115 000	③	
4412 ML	168	99	12	7...15	40	5.1	■	3.0	3 000	-20...+80	67 500 / 22 500	115 000	④	
4412 M	184	108	12	7...14	42	5.3	■	3.8	3 300	-20...+75	65 000 / 25 000	110 000	⑤	
4412 N	205	121	12	7...14	46	5.6	■	5.3	3 650	-20...+70	62 500 / 30 000	105 000	⑥	
4414 L3	100	59	24	12...28	26	4.0	■	1.0	1 800	-20...+80	75 500 / 22 500	127 500	①	
4414 LL	124	73	24	12...28	33	4.5	■	1.6	2 250	-20...+80	70 000 / 22 500	117 500	②	
4414 L	150	88	24	18...28	37	5.0	■	2.4	2 700	-20...+80	67 500 / 22 500	115 000	③	
4414 ML	168	99	24	12...28	40	5.1	■	3.2	3 000	-20...+80	67 500 / 22 500	115 000	④	
4414 M	184	108	24	18...28	42	5.3	■	4.1	3 300	-20...+75	65 000 / 25 000	110 000	⑤	
4414 N	205	121	24	18...28	46	5.6	■	5.4	3 650	-20...+70	62 500 / 30 000	105 000	⑥	
4418 L	150	88	48	36...60	37	5.0	■	2.5	2 700	-20...+75	67 500 / 27 500	115 000	③	
4418 ML	168	99	48	36...60	40	5.1	■	3.2	3 000	-20...+75	67 500 / 27 500	115 000	④	
4418 M	184	108	48	36...60	42	5.3	■	4.2	3 300	-20...+70	65 000 / 32 500	110 000	⑤	
4418 N	205	121	48	36...60	46	5.6	■	5.4	3 650	-20...+70	62 500 / 30 000	105 000	⑥	

Subject to change

Further variants can be found on page 59.



Air performance measured according to: ISO 5801.
Installation category A, without contact protection.
Noise: Total sound power level L_{WA} ISO 103002
measured on a hemisphere with a radius of 2 m.
Sound pressure level L_{PA} measured at 1 m distance
from fan axis.
The values given are applicable only under the specified
measuring conditions and may differ depending on the
installation conditions.
In the event of deviation from the standard configuration,
the parameters must be checked after installation!
For detailed information see
<http://www.ebmpapst.com/general conditions>



X-ON Electronics

Largest Supplier of Electrical and Electronic Components

Click to view similar products for [ebm papst](#) manufacturer:

Other Similar products are found below :

[W2G110-AG43-01](#) [4412F/2GLL-515](#) [3252JH](#) [W2G110-AK43-31](#) [6224NT](#) [M2E068-BF83-12](#) [M4Q045-CA25-04](#) [D2E133-DM27-D8](#) [8314S](#)
[8414NHU](#) [A4E350-AQ02-09](#) [R4E400-AP15-10](#) [S2E250-AL06-12](#) [S4E300-AS72-50](#) [S4E450-AU03-02](#) [9496-2-4039-1](#) [A2D250-AA02-18](#)
[A2D300-AD02-01](#) [A2E300-AP02-01](#) [QR06A-2/106349](#) [R2E180CH0312](#) [R3G175-AF25-02](#) [RG125-19/12N/2](#) [RH31M-6/104372](#) [RH56M-](#)
[6/204689](#) [3950L](#) [4114NXH](#) [4412F](#) [4800N](#) [3212J/2N-301](#) [3214J39NR](#) [3314U](#) [D4E180-BA02-02](#) [W2D200-HH04-07](#) [W2S130-AA25-64](#)
[4314/17T](#) [4314R](#) [DV6424/12](#) [EE1G-115-140-03](#) [EE1G-230-160-02](#) [66313-2-4039](#) [4414FD](#) [4312R](#) [QLZ06/1800-2518](#) [QLK45/2400-2524L](#)
[R2D250-AF10-12](#) [R3G280-AF45-81](#) [R2S133-AE17-43](#) [414F2](#) [412J/2HH](#)