

✓RoHS

MEAS KMA36R SENSOR FOR GROVE SYSTEM

Digital Magnetic Encoder Sensor

The KMA36(A) provides the necessary hardware to interface the KMA36, A universal magnetic encoder for precise rotational measurement. To any system that utilizes Grove compatible expansion ports configurable for I²C communication. The KMA36 sensor feature a system-on chip technology that combines a magneto resistive element along with analog to digital converter and signal processing in a standard small package. The sensor model works in 5V voltage external. By using Anisotropic Magneto Resistive(AMR) technology, the KMA36 can determine contactless the magnetic angle of an external magnet over 360°.

Performance

- User programmable parameters
- Low power mode
- -40°C to 125°C accuracy:1°C
- Sleep and automatic wake-up through I²C
- Programmable zero position
- Device address hardware configurable
- Operates 5V

Specifications

- Contactless angle measurement from 0° to 360°
- Programmable resolution up to 13 bits
- I²C communication
- Very low hysteresis
- Incremental model
- Programmable zero position
- low power consumption

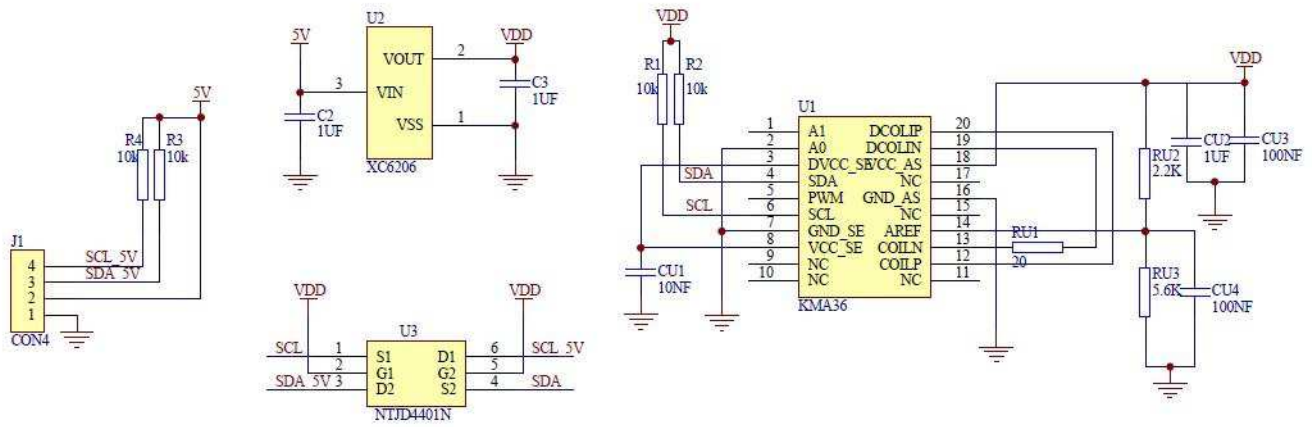
Features

- 4-pin Grove compatible connector
- I²C interface
- Programmable resolution up to 13 bits
- Very low hysteresis
- High accuracy mode

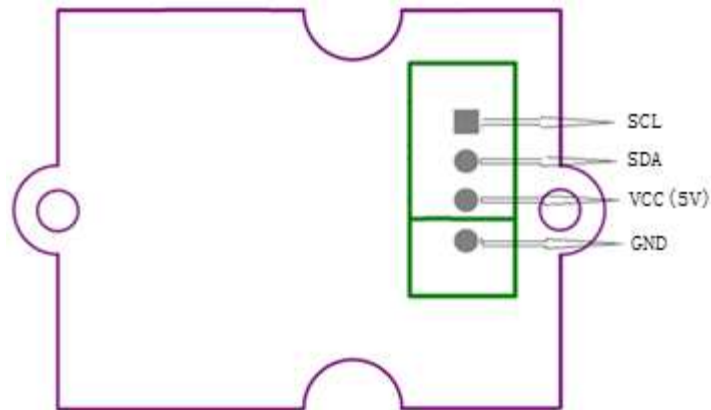
MEAS KMA36R FOR GROVE SYSTEM

Digital Magnetic Encoder Sensor

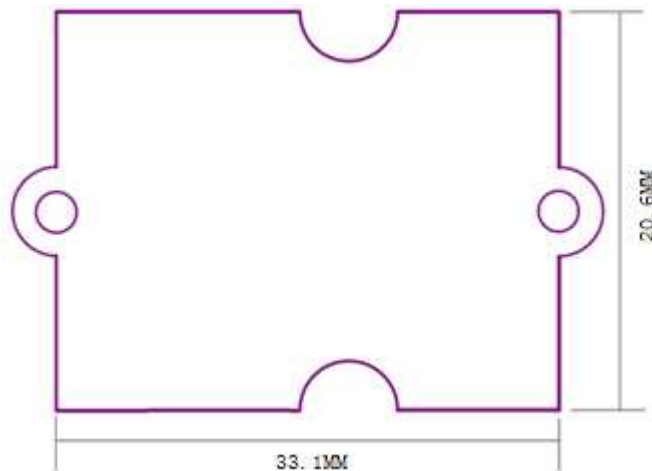
Schematic



Connector Pin Assignments (I²C Communications)



Dimensions (mm)



MEAS KMA36R FOR GROVE SYSTEM

Digital Magnetic Encoder Sensor

Detailed Description

I²C Interface:

The KMA36R Grove compliant module can interface to the host in I²C model with 5V supply, it has a Grove compatible four pins port connector configured for I²C.

External Control Signals 5V supply:

The IC operates as an I²C slave using the standard 2-wire I²C connection scheme. As IC is power rated at 3.6V, the board integrates necessary fixture such as a regulator and electrical level shift so that the SCL and SDA signals could be driven directly from an external 5V I²C lines and power supply.

Reference Material

Detailed information regarding operation of the IC:

- [KMA36R Datasheet](#)

Ordering Information

Description	Part Number
KMA36 GROVE BOARD	DPP401G000

te.com/sensorsolutions

MEAS, TE Connectivity and TE connectivity (logo) are trademarks. All other logos, products and/or company names referred to herein might be trademarks of their respective owners.

The information given herein, including drawings, illustrations and schematics which are intended for illustration purposes only, is believed to be reliable. However, TE Connectivity makes no warranties as to its accuracy or completeness and disclaims any liability in connection with its use. TE Connectivity's obligations shall only be as set forth in TE Connectivity's Standard Terms and Conditions of Sale for this product and in no case will TE Connectivity be liable for any incidental, indirect or consequential damages arising out of the sale, resale, use or misuse of the product. Users of TE Connectivity products should make their own evaluation to determine the suitability of each such product for the specific application.

© 2016 TE Connectivity Ltd. family of companies All Rights Reserved.

PRODUCT SHEET

MEAS France SAS,
a TE Connectivity company.
Impasse Jeanne Benozzi CS 83 163
31027 Toulouse Cedex 3, FRANCE
Tel: +33 (0) 5 820 822 02
Fax: +33 (0) 5 820 821 51
customercare.tlse@te.com

X-ON Electronics

Largest Supplier of Electrical and Electronic Components

Click to view similar products for [TE Connectivity](#) manufacturer:

Other Similar products are found below :

[D38999/24FJ4AN](#) [1-2000677-8](#) [SMD100-2](#) [D38999/20WJ43BD](#) [4-176756-8](#) [983-6SE22-12S7-L](#) [D38999/24ZE35PN](#) [DJT10F17-26HN](#) [5-1437490-9](#) [7022X3H](#) [983-6SE18-14P9-L](#) [AFD50-16-23SN-6116-LC](#) [603995-1](#) [D38999/24WF32JE](#) [D38999/24WF32SE-LC](#) [DTS24W19-32HE](#) [D38999/20WD19SB-LC](#) [842723N001](#) [213904-1](#) [C1177A](#) [AFD51-18-32PW-6116-LC](#) [D38999/24FD19PD](#) [D38999/24FD19PD-LC](#) [D38999/24FF32BA](#) [D38999/26WH21PB-LC](#) [D38999/20FH21PE](#) [D38999/20FH21PE-LC](#) [D38999/24FH21PN](#) [DTS20F23-21PE](#) [D38999/20FH21PB-LC](#) [D38999/26FJ35PE](#) [D38999/32Z15N](#) [DTS26W9-35JB-LC](#) [D38999/26JJ29JN](#) [102976-7](#) [D38999/20FJ4SB-LC](#) [1-2322421-6](#) [D38999/20FJ24SB-LC](#) [MS3474L12-10P-LC](#) [MS3474L12-10PW-LC](#) [MS27467T21F16P-LC](#) [D50184-000](#) [WINTOTAL-6-END-USER-LICENCE](#) [164-8033-08](#) [DTS26W17-99HA](#) [MS27468T17F26H](#) [DJT14F17-26HN](#) [DJT14F17-26HB](#) [AFD58-24-61PY-1A](#) [983-6SE18-14S7-L](#)