

3.5mm 4 Pole Audio Jack

SMT, IPX5/7

pro-SIGNAL

RoHS
Compliant



Specifications:

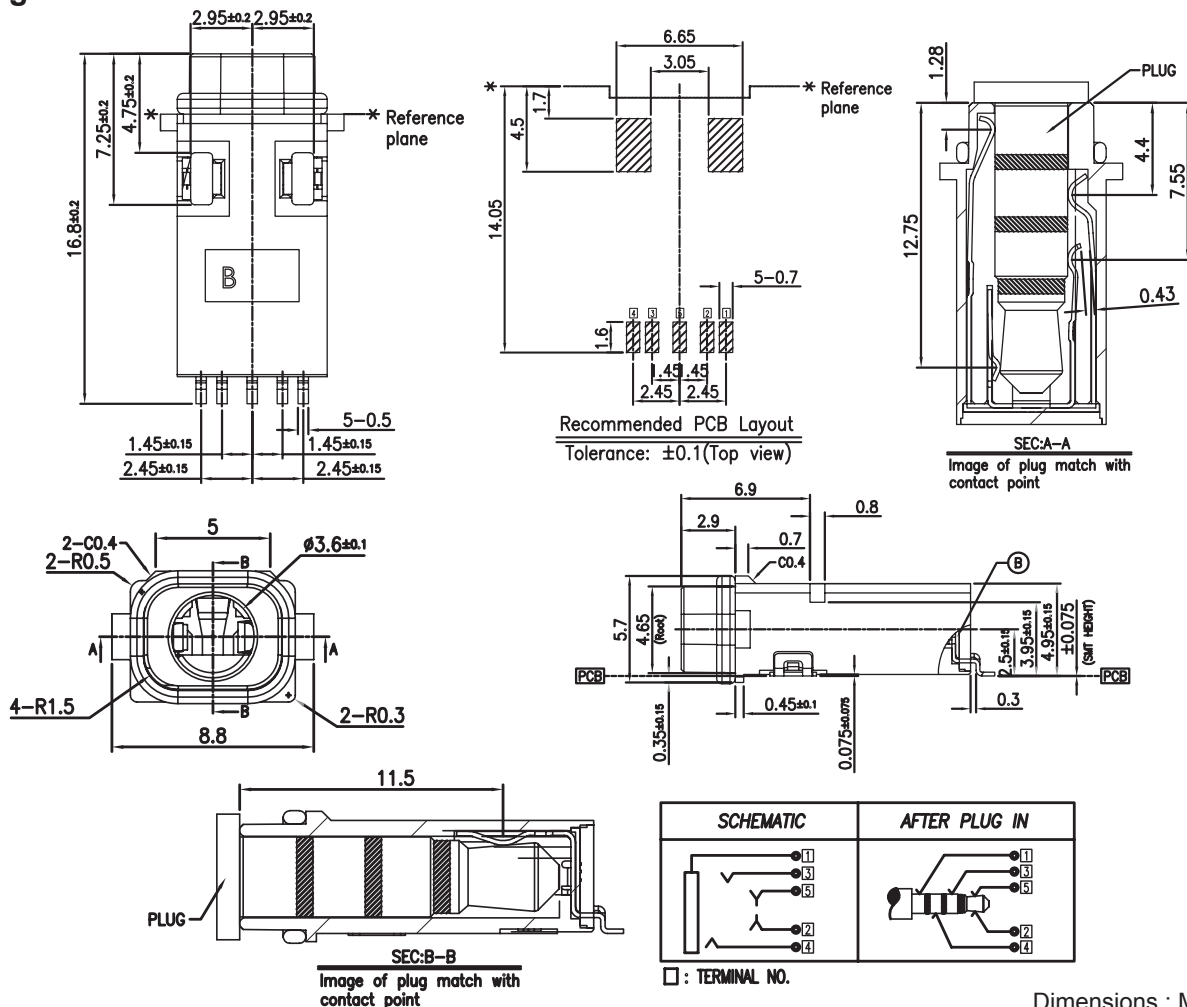
Electrical Characteristics:

- Insulation Resistance : A Voltage of 500V DC
- Contact Resistance : Between Plug and Terminals 30mΩ Max.
Between Switch Parts 100mΩ Max.
- Voltage Proof : 500V AC for one minute

Mechanical Characteristics

- Inserting Force : 0.6 to 2 kgf.
- Withdrawal Force : 0.6 to 2 kgf.
- Life Test : 5,000 Cycles.
- Water proofness : This product is based on IPX5/7 of the JIS Standard.
- Using Plug : 3.5mm, 4-Pole Stereo
- Housing Strength is 50N Max.

Diagram



Dimensions : Millimetres

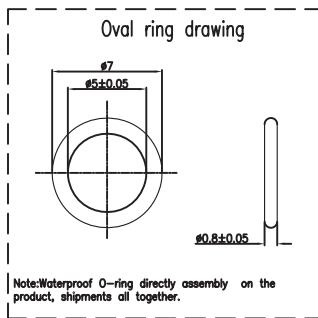
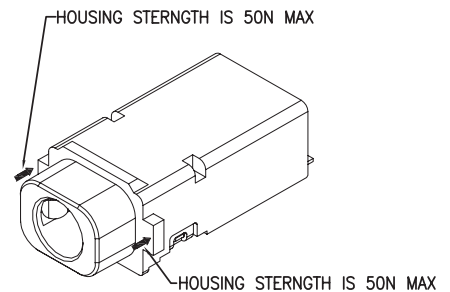
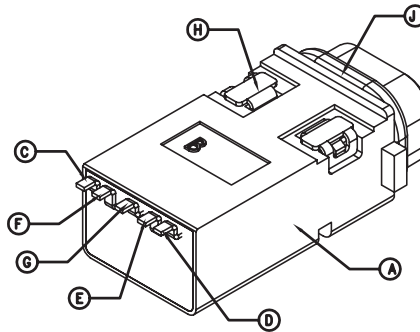
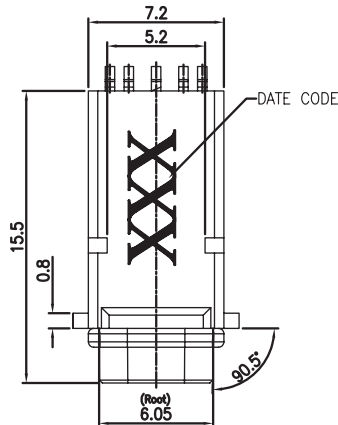
www.element14.com
www.farnell.com
www.newark.com
www.npc.co.uk

pro-SIGNAL

3.5mm 4 Pole Audio Jack

SMT, IPX5/7

pro-SIGNAL



Dimensions : Millimetres

| No. | Description | Material | Plating & Colour | Qty |
|-----|---------------|--------------|--|-----|
| A | Housing | Part UL94V-0 | Black | 1 |
| B | Cover | Part UL94V-0 | Black | |
| C | Earth Spring | Copper Alloy | Gold Flash Plating; Ni 40µ" Min Underplate | |
| D | Ring Spring-1 | | | |
| E | Ring Spring-2 | | | |
| F | Tip Spring-1 | | | |
| G | Tip Spring-2 | Brass | | |
| H | Terminal | | | |
| I | Bond | Silicone | | |
| J | Oval Ring | Epoxy | Blue | |

Part Number Table

| Description | Part Number |
|--------------------------------------|-------------|
| 3.5mm 4 Pole Audio Jack, SMT, IPX5/7 | PS000001 |

Important Notice : This data sheet and its contents (the "Information") belong to the members of the Premier Farnell group of companies (the "Group") or are licensed to it. No licence is granted for the use of it other than for information purposes in connection with the products to which it relates. No licence of any intellectual property rights is granted. The Information is subject to change without notice and replaces all data sheets previously supplied. The Information supplied is believed to be accurate but the Group assumes no responsibility for its accuracy or completeness, any error in or omission from it or for any use made of it. Users of this data sheet should check for themselves the Information and the suitability of the products for their purpose and not make any assumptions based on information included or omitted. Liability for loss or damage resulting from any reliance on the Information or use of it (including liability resulting from negligence or where the Group was aware of the possibility of such loss or damage arising) is excluded. This will not operate to limit or restrict the Group's liability for death or personal injury resulting from its negligence. pro-SIGNAL is the registered trademark of the Group. © Premier Farnell Limited 2016.

www.element14.com
 www.farnell.com
 www.newark.com
 www.cpc.co.uk

pro-SIGNAL

X-ON Electronics

Authorized Distributor

Click to view similar products for [Pro Signal](#) manufacturer.

Other Similar products are found below :

[11998795](#) [11998870](#) [11998871](#) [11W3S61106IN](#) [1260B](#) [2413485](#) [2413486](#) [2415620](#)
[2415621](#) [2415622](#) [2415623](#) [2415624](#) [2415625](#) [2415626](#) [2415627](#) [2415628](#) [271450](#)
[275915](#) [277942](#) [278076](#) [278155](#) [278159](#) [278160](#) [278162](#) [278174](#)