



Product Data Sheet

FDS-30-C-X

Replace "x" with 1, 2 or 3 for number of poles.
For use with CC fuses only.

30 Amps 600 Volts AC

Fused Disconnect Switch

Wire Range

- Line/Load #4-18 AWG

Electical Ratings

Catalog No.	No. of Poles	Amps	Volts (AC)	SCCR	Wire Type	Fuse Class
FDS-30-C-1	1	30	120	200 kA	75°C CU Wire or Higher (CU75)	CC
FDS-30-C-2	2	30	600	200 kA		
FDS-30-C-3	3	30	600	200 kA		

- Factory & Field Wiring
- Minimum Indicator Voltage - 90V-AC

Agency Compliance

- cULus Listed file no. WHTY.E483215
 - UL98 - Open type switches
 - CSA C22.2 No.4 - enclosed and deadfront switches
- IEC 60947-3 (Pending)
- IEC 60529 degree of protection IP20

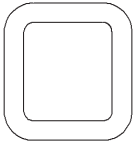
Material Information

- Insulator base:
 - Thermoplastic
 - Flammability rating of insulator base UL94 V-0
 - Insulator base temperature rating: -40°C to 130°C (UL RTI)
- Fuseclip & Busses - plated copper
- Spring & Screws - plated steel
- RoHS compliant

A Regal Brand



Termination Specifications

Line/Load Side	Wire Size (CU Stranded)	Torque	Wires / Terminal	Wire Class (UL)
	#4 AWG	18 lbf·in (2 N·m)	1	B, C
	#6-18 AWG	18 lbf·in (2 N·m)	1-2	

- Solid copper wire range: 10 - 18 AWG
- Wire strip length: 1/2"
- Terminal screw drive: Pozidriv style Phillips-Slot

Horsepower Ratings

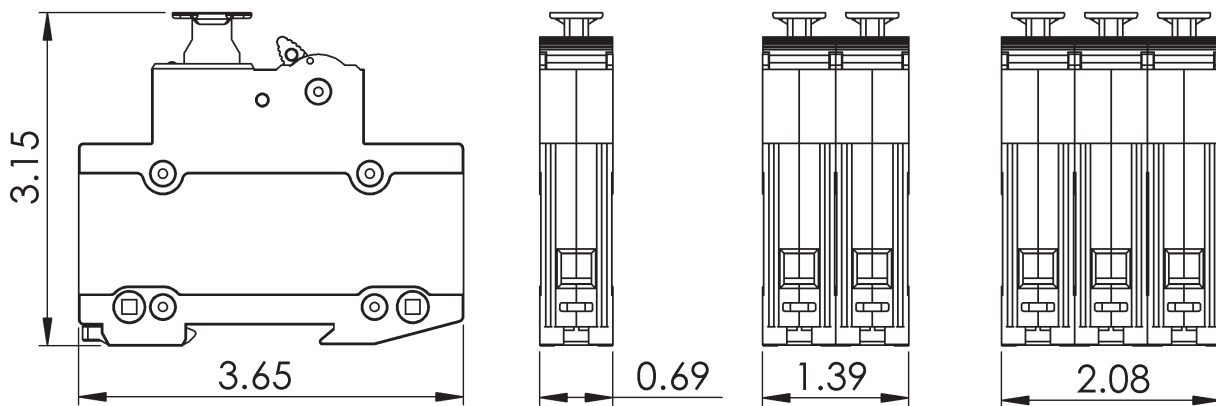
TYPE	120Vac		240Vac		480Vac		600Vac	
	1 Phase	3 Phase	1 Phase	3 Phase	1 Phase	3 Phase	1 Phase	3 Phase
FDS30C1	-	-	-	-	-	-	-	-
FDS30C2	-	-	1	-	3	-	3	-
FDS30C3	-	.75	1	2	3	5	3	7.5

- For additional information on motor HP ratings at full load current, refer to UL table 50.1 in UL508A
- Max HP requires the use of Time-Delay fuses

Installation & Accessories

- Din-Rail mountable on (any) 35mm wide rail: MN35-2 (35 X 7.5mm, 2m long)
- End Brackets: MSK35
- Lock-out device: BRADY P/N 90850 (not available from MSP)
- Replacement Fuse Carrier: FDS Fuse Carrier CC

Drawings



X-ON Electronics

Largest Supplier of Electrical and Electronic Components

Click to view similar products for [Marathon manufacturer](#):

Other Similar products are found below :

[104](#) [600AGP04PSB](#) [599GP200402PSB](#) [670A GP 03](#) [601RJ 06](#) [985GP02](#) [599-GP-2004-10](#) [600-2004-3-SP](#) [600-GP-20](#) [600TS-10](#) [601-GP-2102-02](#) [601-GP-3/4ST-12](#) [601-GPYSY-03](#) [602-GPYSY-22](#) [603-2302-04](#) [603-JJ-04](#) [603-JJ-07](#) [604-JJ-06](#) [605-GP-03SLB](#) [605-JJ-02](#) [651-XPR-13](#) [670-3/4ST-9](#) [670A-GP-3000-18](#) [670A-GP-3000-25](#) [670A-GP-3000-27](#) [670A-GP-3/4ST-10](#) [CW205-01C](#) [671-RZ-25](#) [672-GPY-05](#) [699-GP-2102-08](#) [6F30A3S](#) [6H38-TSKK-C](#) [6R30A3SP](#) [F600A1B](#) [F600A3B](#) [F60A1B](#) [799-6-KT28](#) [799-7-KT28](#) [FPB33588](#) [R30A1B](#) [RF400A3B](#) [1321970](#) [1322970CH](#) [1320972](#) [1331955](#) [1332270](#) [1332360](#) [1332554CH](#) [1333280CH](#) [1333575CH](#)