



marathon™

Special Products

Product Data Sheet

6SJ30AxIC

Replace "x" with 1, 2, or 3 for number of poles

Fuse Holder, Enclosed J Class with Indication

30 Amps 600 Volts AC/DC

Wire Range

- #1 AWG - #18 AWG stranded
- #10 AWG - #18 AWG solid
- Copper wire only

Electrical Ratings

- 30A, 600V AC/DC
- SC withstand 200kA
- CU7 - 75°C connector terminal rating
- Factory & field wiring

Agency Compliance

- UL Listed fuse holder, evaluated to UL 4248-1 and UL 4248-8, file no. IZLT.E35113
- CNL - investigated to CSA C22.2 No 4248.1-07 and CSA C22.2 4248.8-07

Material Information

- Insulator base:
 - Thermoplastic
 - Flammability rating of insulator base UL94 V-0
 - Insulator base temperature rating: -40°C to 140°C (UL RTI)
- Fuseclip - copper, tin plated
- Spring - steel, zinc plated
- Terminal screws - steel, zinc plated
- RoHS compliant

A Regal Brand

REGAL

Termination Specifications

Wire Size (CU Stranded)	Torque N·m (lbf·in)	Wires / Terminal	Wire Class (UL) ¹
#1 - 8	4.5 N·m (40 lbf·in)	1	B, C
#10 - 18	2.8 N·m (25 lbf·in)	1	B, C
#6 - 18	2.8 N·m (25 lbf·in)	2*	B, C

* (2) wires must be of same size and type

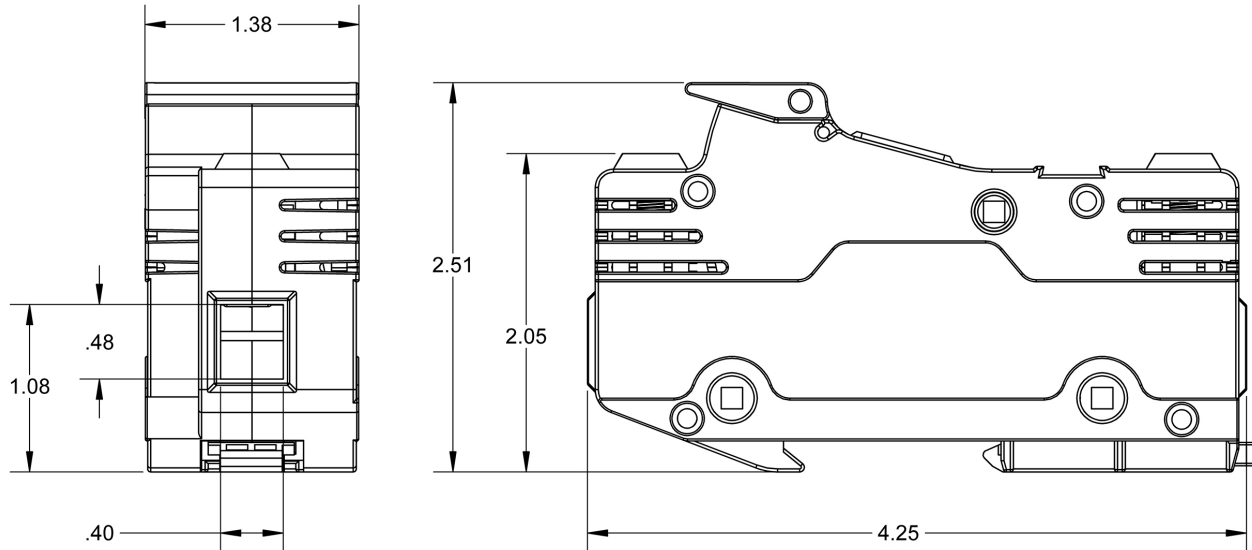
- Solid copper wire range: #10-18 AWG
- Wire strip length: 16 mm (5/8")

Installation & Accessories

- Mounting:
 - 7.5 X 35 mm DIN rail mountable
- Safety Guidelines:
 - Do not open under load

Catalog #	Description
6SJ30Ax C	Fuse holder - J 30A (where x represents no. of poles)
6SJ30AxI C	Fuse holder - J 30A with indication (where x represents no. of poles)
	Marker card - single white, snap-in labels 10mm wide for individual identification
EFH-MCCK C	Ganging clips - used to group multiple fuse holders together as an assembly. Includes (10) handle pins and (20) body clips. Use one handle pin and two body clips per pole
MN35-2	Din rail - 35 x 7.5 x 200mm long, slotted
MSK35	End bracket - for anchoring in place on din rail

Drawing



X-ON Electronics

Largest Supplier of Electrical and Electronic Components

Click to view similar products for [Marathon manufacturer](#):

Other Similar products are found below :

[104](#) [600AGP04PSB](#) [599GP200402PSB](#) [670A GP 03](#) [601RJ 06](#) [985GP02](#) [599-GP-2004-10](#) [600-2004-3-SP](#) [600-GP-20](#) [600TS-10](#) [601-GP-2102-02](#) [601-GP-3/4ST-12](#) [601-GPYSY-03](#) [602-GPYSY-22](#) [603-2302-04](#) [603-JJ-04](#) [603-JJ-07](#) [604-JJ-06](#) [605-GP-03SLB](#) [605-JJ-02](#) [651-XPR-13](#) [670-3/4ST-9](#) [670A-GP-3000-18](#) [670A-GP-3000-25](#) [670A-GP-3000-27](#) [670A-GP-3/4ST-10](#) [CW205-01C](#) [671-RZ-25](#) [672-GPY-05](#) [699-GP-2102-08](#) [6F30A3S](#) [6H38-TSKK-C](#) [6R30A3SP](#) [F600A1B](#) [F600A3B](#) [F60A1B](#) [799-6-KT28](#) [799-7-KT28](#) [FPB33588](#) [R30A1B](#) [RF400A3B](#) [1321970](#) [1322970CH](#) [1320972](#) [1331955](#) [1332270](#) [1332360](#) [1332554CH](#) [1333280CH](#) [1333575CH](#)