



Trip-Block ZM-PKZ2

Part no.

ZM-10-PKZ2

Article no.

040844



Powering Business Worldwide™

Delivery programme

Product range			Accessories: PKZ2 System - PRODUCT DISCONTINUATION IN 2012
Accessories			Trip blocks with overload release
Max. motor rating			
AC-3			
220 V 230 V 240 V			
220 V 230 V	P	kW	2.2
380 V 400 V 415 V			
380 V 400 V	P	kW	4
440 V	P	kW	4
500 V	P	kW	5.5
660 V 690 V			
660 V 690 V	P	kW	7.5
Rated uninterrupted current	I_u	A	10
Setting range			
Overload releases	I_r	A	6 - 10
Short-circuit releases	I_{rm}	A	80 - 140

Notes

Single-phasing sensitivity to IEC/EN 60947-4-1

Suitable for the protection of EEx e motors

PTB Certificate No.: 3.53-388.299

Extension to ATEX applied for

Overload releases, adjustable

$$I_r = 0.6 - 1.0 \times I_u$$

Adjustable short-circuit release

$$I_{rm} = 8.5 - 14 \times I_u$$


Factory set to $12 \times I_u$

Notes Service factor (SF)

Set value I_r on the current scale, depending on the load factor

Calculate motor power in this range according to the rated operational current. Stated values to NEC Table 430 - 150.

Approved rating data

Devices for world markets IEC  UL/CSA

Notes

When using the M-...-PKZ2 for short-circuit protection of motors with heavy-duty starting, the rated operating current e must be oversized by the following factors in the course of the project engineering:

CLASS	Factor
5	1.0
10	1.0
15	1.22
20	1.41
25	1.58
30	1.73
35	1.89
40	2.0

Approvals

Product Standards
UL File No.

UL 508; CSA-C22.2 No. 14; IEC60947-4-1; CE marking
E36332

UL CCN
CSA File No.
CSA Class No.
NA Certification
Specially designed for NA

NLRV
12528
3211-05
UL listed, CSA certified
No

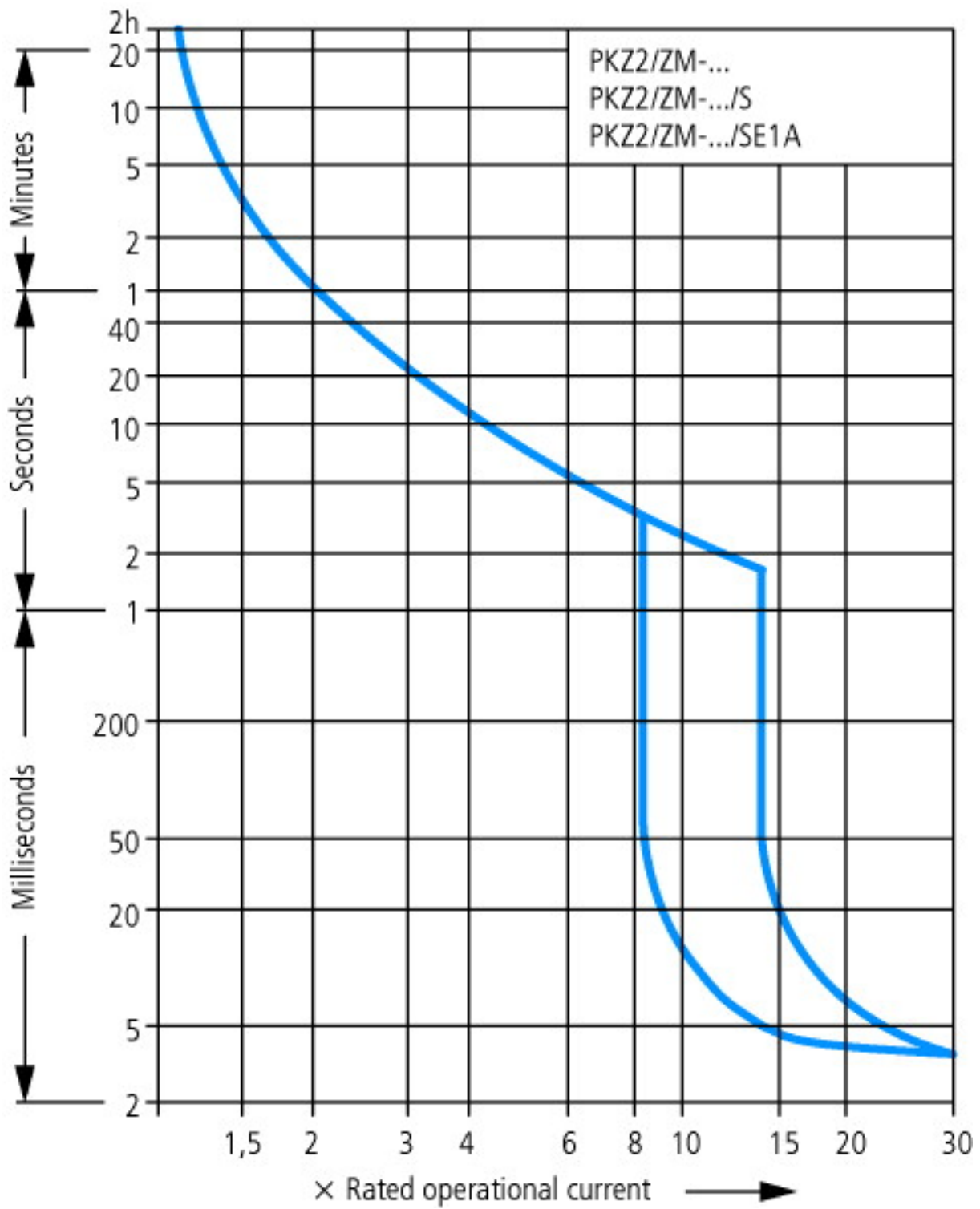
ZM-..-PKZ2, ZMR-..-PKZ2 trip blocks for motor protection

Setting range of overload releases		$x I_U$	0.6 - 1
Short-circuit releases		$x I_U$	8.5 - 14
Phase-failure sensitivity			IEC/EN 60947-1-1, VDE 0660 Part 102

Technical data ETIM 4.0

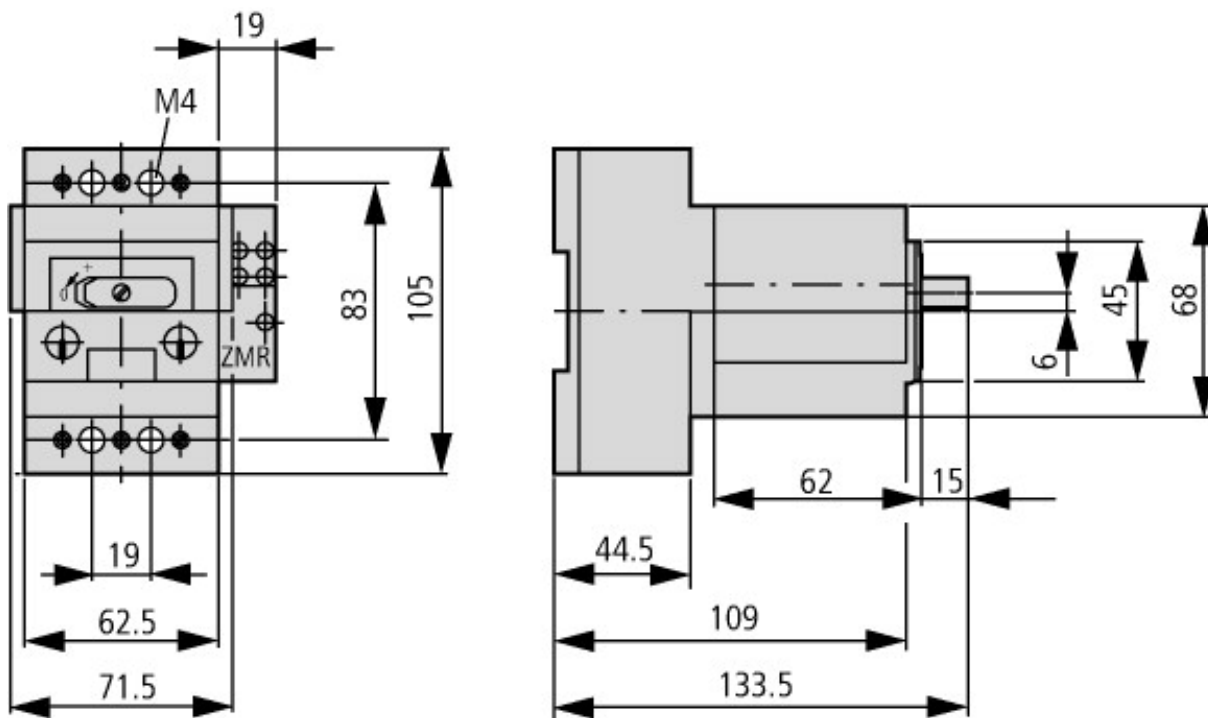
Final value of non-delayed short-circuit release setting range		A	140
Initial value of non-delayed short-circuit release setting range		A	80
Setting range of overload releases		A	10
Short-circuit release function			Non-delayed
Number of poles			3
Rated uninterrupted current I_u		A	10

Characteristics



Motor-protective circuit-breaker (high-capacity) compact starter tripping characteristic

Dimensions



PKZ2(Z)M-...

Additional product information (links)

AWA1280-0876 Motor-protective circuit-breaker

[AWA1280-0876 Motor-protective circuit-breaker](#)

AWB1210-1485 PKZ2 motor-protective circuit-breakers, overload monitoring of EEx e motors

[AWB1210-1485 PKZ2 motor-protective circuit-breakers, overload monitoring of EEx e motors](#)

Motor starters and "Special Purpose Ratings" for the North American market

http://www.moeller.net/binary/ver_techpapers/ver953en.pdf

Busbar Component Adapters for modern Industrial control panels

http://www.moeller.net/binary/ver_techpapers/ver960en.pdf

X-ON Electronics

Largest Supplier of Electrical and Electronic Components

Click to view similar products for [Eaton](#) manufacturer:

Other Similar products are found below :

[BK1-S506-2-R](#) [FHN31G1](#) [CH222B](#) [SAMI-2I](#) [SAMI-6I](#) [LPN-RK-25SP](#) [ZE6](#) [ZE9](#) [LPN-RK-15SP](#) [LPN-RK-3SP](#) [SAMI-1I](#) [2499](#) [GMC-500MA](#) [AT-20](#) [BK/SC-45](#) [AGC-1-2](#) [BK/MDA-15](#) [BK/MDA-1](#) [BK/C519-1A](#) [BK/MDL-3-2/10](#) [89096-015](#) [8943K28](#) [8946K153](#) [8961K155](#) [M22-DH-Y](#) [M22-DLH-Y](#) [M22-D-R-GB0/K11](#) [M22-LCH-R](#) [M22-L-R/R](#) [M22-WLK3-B](#) [63ET](#) [6422](#) [6580](#) [CTX20-16-52LP-R](#) [CWL530FI](#) [CXM/CO/GP/R/BB](#) [6HD36](#) [714125](#) [MBO-2](#) [7314K36](#) [7321K2](#) [ETF-200MA](#) [F02A-1-1/2A](#) [F02A-1-1/2AS](#) [F02A-1AS](#) [F02A-3/4A](#) [F03A250V10A](#) [F03A250V12A](#) [MDA-2-8/10-R](#) [MDA-30A](#)