



# R type Encoder

RoHS

- Two channel quadrature outputs
- Resolution 200 counts per revolution
- TTL compatible
- Single 5VDC supply
- HEDR serie encoders from Broadcom Limited

## Encoder features

Parameter	R220
Supply voltage [VDC]	5 ± 0.5
Max. Supply current [mA]	33
Output voltage [VDC]	VOH = 2.4 min, VOL = 0.4 max
Output channels	2 (A, B)
Maximum frequency [kHz]	16

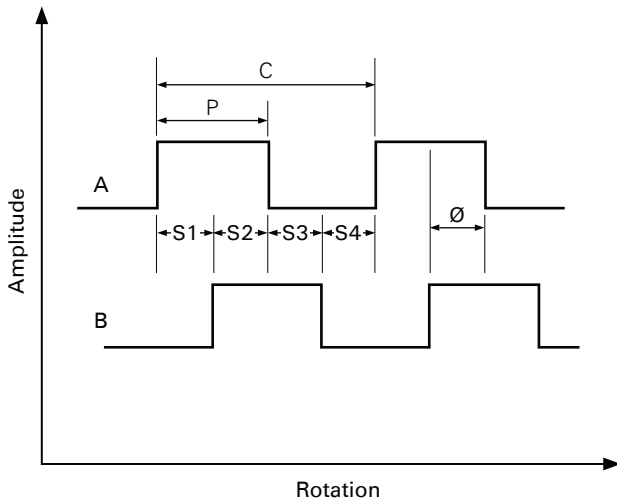
## Encoder pin-outs

Pins	R220	R220
	35, 42mm sq.	56, 86mm sq.
Pin 1	Channel B	GND
Pin 2	5 VDC	NC
Pin 3	Channel A	Channel A
Pin 4	NC	5 VDC
Pin 5	GND	Channel B

## Encoder P/N

R220: 2 channels, 200CPR

## Output waveforms

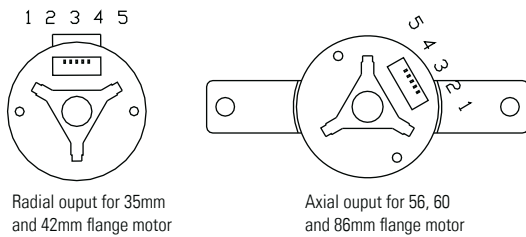


## Encoding characteristics

Parameter	Symbol	R220	
		Typ.*	Max.
Pulse width error [°e]	$\Delta P$	7	75
Logic width error [°e]	$\Delta S$	15	60
Phase error [°e]	$\Delta \emptyset$	15	60
Position error [arcmin.]	$\Delta \Theta$	50	120
Cycle error [°e]	$\Delta C$	10	45

\*Typical values specified at supply voltage = 5.0 V and 25°C

## Electrical interface



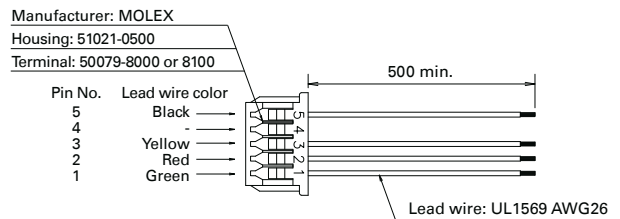
Pull-up resistors on output pins have already been integrated. Each of the three encoder outputs can drive a single TTL load in this configuration.

## Suitable connectors

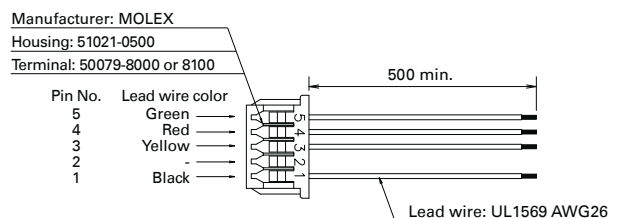
Manufacturer	Part number	
	Housing	Contact
Molex	51021-0500	50079-8000

## Encoder cables

R220 Encoder, 35 & 42mm flange Motor, Cable P/N: **CRP12500**



R220 Encoder, 56, 60 & 86mm flange Motor, Cable P/N: CRS22500



## X-ON Electronics

Largest Supplier of Electrical and Electronic Components

*Click to view similar products for [Sanyo Denki](#) manufacturer:*

Other Similar products are found below :

[9A0824H401](#) [9G1212E401](#) [9GA0812P1H61](#) [9GA0812P1S61](#) [9GV1512H501](#) [SM2861-5255](#) [9G1212F101](#) [9G1212M101](#) [9GV1248P1J01](#)  
[9HV0412P3K001](#) [9WE1724K501](#) [9WG1212E101](#) [103H5208-5240](#) [103H7126-5840](#) [103H7822-5740](#) [109-1001F13](#) [109-1002F40](#) [109-](#)  
[1003M30](#) [109-313](#) [109-601](#) [109L1748H501](#) [109L5712H501](#) [109P0412D602](#) [109P0424G302](#) [109P1412M101](#) [109R0824S4D01](#) [109-1069](#)  
[109-604](#) [109BF24HD2](#) [109P0424H302](#) [9L0412H301](#) [103H8223-6340](#) [103H8222-5141](#) [9S1212L4011](#) [9LG0612P4S001](#) [9GA0812P1H611](#)  
[9A0824S402](#) [109-049C](#) [103H89223-6341](#) [SM2863-5155](#) [9G1248G4D011](#) [9G1224M4D011](#) [109P0624W602](#) [9WF0924S201](#) [9A0812S402](#)  
[109E1724M501](#) [9GV1248P4J011](#) [9G1224F102](#) [109R0648S402](#) [109-372-20](#)