



PCB terminal block; 4 mm²; Pin spacing 11.5 mm; 5-pole; Push-in CAGE CLAMP®

Item No.: 2624-1505



PCB terminal block; 4 mm²; Pin spacing 11.5 mm; 5-pole; Push-in CAGE CLAMP®

Marking

RoHS ✓
Compliant

Business data

Supplier	WAGO
Item no.	2624-1505
GTIN / EAN	4055143578585
Content	1
Order amount	40
Customer item number	

Notes

Item description: Terminal strips with Push-in CAGE CLAMP® connection Push-in termination of solid and ferruled, fine-stranded conductors Flush-mount push-buttons that close with minimal force for convenient termination/removal of fine-stranded conductors Convenient, tool-free operation Versions with/without test slots and spacers Versions available with custom internal commoning (factory assembly), e.g., commoning ground conductor

Technical data

Miscellaneous

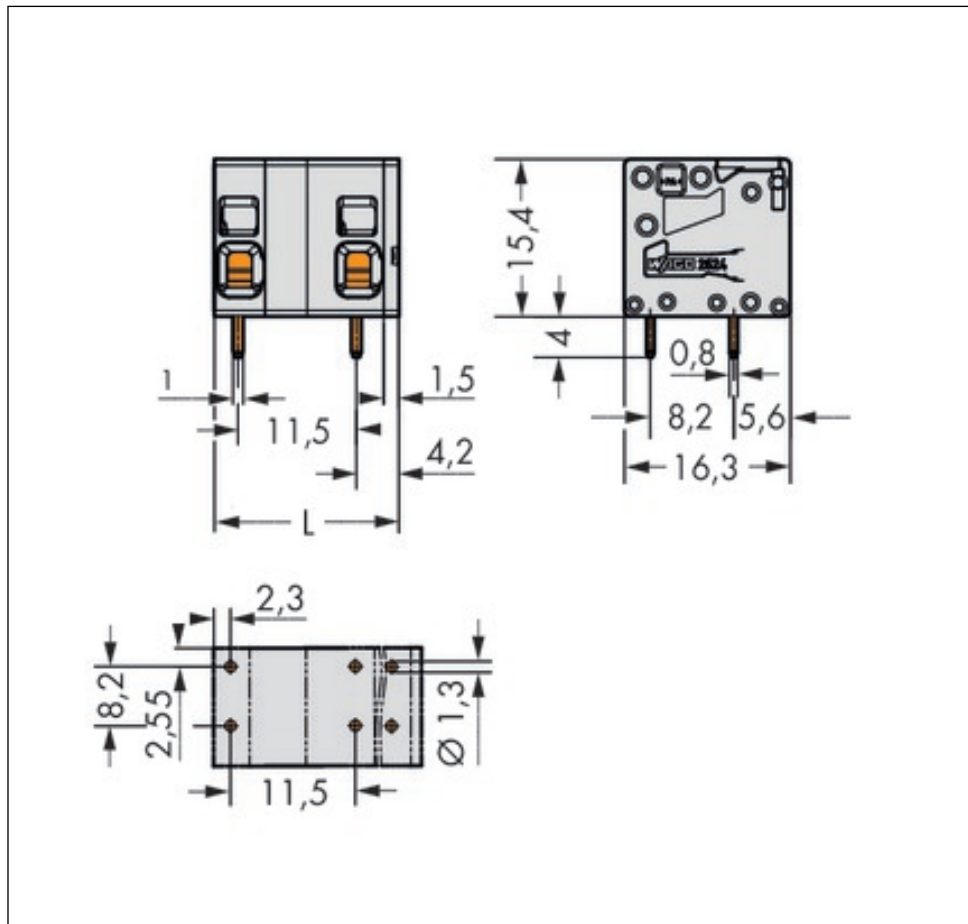
No. of poles	5
Pin spacing	11.5 mm (0.453 in)

Technical data	
Total number of connection points	5
Total number of potentials	5
Color	gray
Ratings per	IEC/EN 60664-1
Rated voltage (III / 3) [V]	1000 [V]
Rated impulse voltage (III / 3) [kV]	8 [kV]
Rated voltage (III/2) [V]	1000 [V]
Rated impulse voltage (III / 2) [kV]	8 [kV]
Rated voltage (II / 2) [V]	1000 [V]
Rated impulse voltage (II / 2) [kV]	8 [kV]
Rated current [A]	32 [A]
Legend for ratings	(III / 2) Overvoltage category III / Pollution degree 2
Number of connection objects	1
Number of levels	1
Connection technology	Push-in CAGE CLAMP®
Number of connection points connector	1
Actuation type	Operating tool
Solid conductor	0.2 ... 6 mm ² / 24 ... 10 AWG
Fine-stranded conductor	0.2 ... 6 mm ² / 24 ... 10 AWG
Fine-stranded conductor with ferrule with plastic collar	0.25 ... 2.5 mm ² / ...
Fine-stranded conductor with ferrule without plastic collar	0.25 ... 2.5 mm ² / ...
Strip length	10 ... 12 mm / 0.39 ... 0.47 Inch
Solder pin arrangement	over the entire terminal strip, in line
Solder pin length [mm]	4 [mm]
Drilled hole diameter (tolerance) [mm]	1.3(+ 0.1) [mm]
Material group	I
Insulating material	Polyamide 66 (PA 66)
Flammability class per UL94	V0
Limit temperature range	-60 ... 105 °C
Clamping spring material	Chrome-nickel spring steel (CrNi)
Contact material	Electrolytic copper (Ecu)
Contact plating	tin-plated
Weight [g]	39.1 [g]
Width	52.5 mm / 2.067 Inch

Technical data	
<i>Height</i>	<i>19.4 mm / 0.764 Inch</i>
<i>Height from the surface</i>	<i>15.4 mm / 0.606 Inch</i>
<i>Depth</i>	<i>16.3 mm / 0.642 Inch</i>
<i>Pin spacing from [mm]</i>	<i>11.5 [mm]</i>

Images & drawings





Address

WAGO Kontakttechnik GmbH & Co. KG

Hansastr. 27

32423 Minden

Telefon: 0571/887-0

Fax: 0571/887-169

<http://www.wago.com>

© WAGO Kontakttechnik GmbH & Co. KG

Technische Änderungen und Irrtümer vorbehalten.

X-ON Electronics

Largest Supplier of Electrical and Electronic Components

Click to view similar products for [Wago manufacturer](#):

Other Similar products are found below :

[750-460](#) [231-118/026-000](#) [231-303/026-000](#) [231-620/019-000](#) [257-403](#) [280-438](#) [280-831](#) [284-624](#) [284-681](#) [206-861](#) [210-111](#) [231-303/037-000](#) [231-446/001-000_NR](#) [231-833/001-000](#) [232-216/026-000](#) [234-510](#) [264-726](#) [280-339](#) [793-500 2](#) [51228988](#) [209-132](#) [830-800/000-305](#) [788-507](#) [750-512](#) [264-321](#) [279-101](#) [281-365](#) [713-1428/107-000](#) [731-138/048-000](#) [750-459](#) [750-517](#) [750-601](#) [793-3505](#) [231-535/001-000](#) [2624-1103](#) [787-712](#) [713-1407](#) [2000-5457](#) [221-525](#) [832-1206](#) [832-3604](#) [281-512/281-501](#) [286-336](#) [288-437](#) [750-421](#) [750-838](#) [753-559](#) [750-1505](#) [787-732](#) [753-437](#)