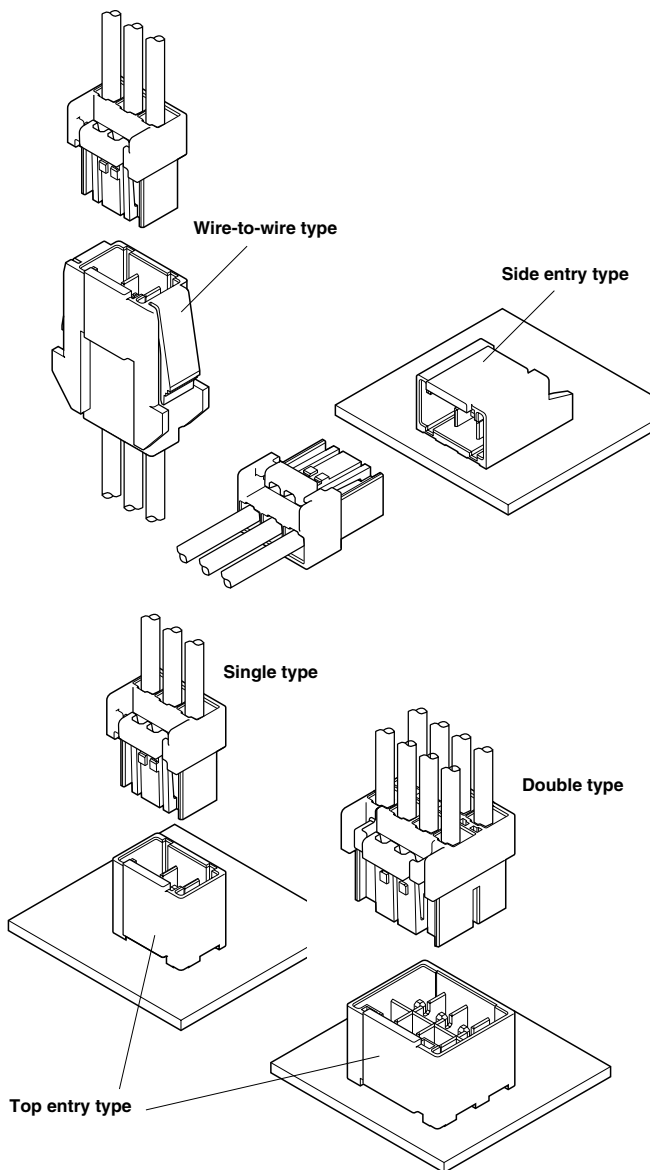


PSI CONNECTOR

4.0mm pitch/Disconnectable Crimp style connectors



This PSI connector is designed for wire-to-board and wire-to-wire 4.0mm pitch connector. Low insertion force type contact is adopted and it provides excellent operability. This connector has the secure locking device that has the mechanism for preventing the inverse insertion. By adopting key shape and multi colors of housing, prevention function of mis-mating is considered.

- **Secure locking structure**
- **Mis-mating prevention mechanism by keying (2 to 4 circuits/3 kinds of keying)**
- **Finger-friendly design**
- **Large electric current was realized.**

Specifications

- Current rating: 12 A AC, DC (Refer to the following table.)
- Voltage rating: 300 V AC, DC
- Temperature range: -25°C to +85°C
(including temperature rise in applying electrical current)
- Contact resistance: Initial value/ 10 mΩ max.
After environmental tests/ 20 mΩ max.
- Insulation resistance: 1,000 MΩ min.
- Withstanding voltage: 1,500 VAC/minute
- Applicable wire: AWG #26 to #16

- * Refer to "General Instruction and Notice when using Terminals and Connectors" at the end of this catalog.
- * Contact JST for details.
- * Compliant with RoHS.

Note: The current rating differs depending on the number of circuits and the wire size used in each connector. The table below lists the current rating as a function of the number of circuits and the wire size.

| Circuits | Wire size (AWG) | | | | | |
|------------|-----------------|------|------|------|------|------|
| | # 16 | # 18 | # 20 | # 22 | # 24 | # 26 |
| 2 | 12 | 10 | 8 | 5 | 4 | 3 |
| 3 | 11 | 9 | 7 | 5 | 4 | 3 |
| 4, 5, 6, 8 | 10 | 8 | 6 | 5 | 4 | 3 |
| 10, 12 | 9 | 7 | 6 | 5 | 4 | 3 |
| 14 | 9 | 7 | 6 | 4.5 | 4 | 3 |

Note: Do not branch in parallel current which exceeds the rated current (e.g. more than 12 A in the case of 2 circuits with AWG #12). If branched in parallel, current imbalance or other problems may develop. If it is absolutely necessary to branch such a large current in parallel, design the circuits without causing any imbalance and provide an extra margin for each circuit.

Standards

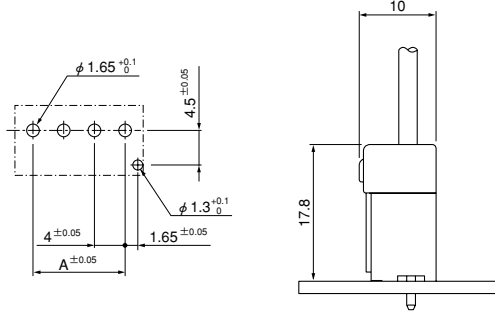
- VA Recognized E 60389
- CS Certified LR 20812
- △ R50259465

PSI CONNECTOR

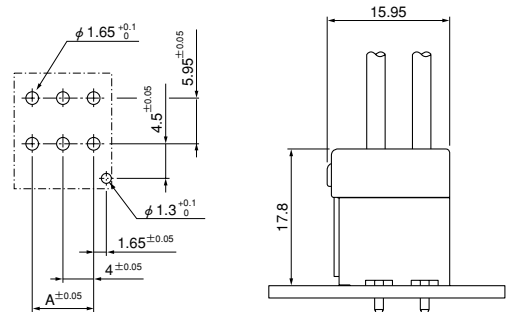
Contact

Top entry type

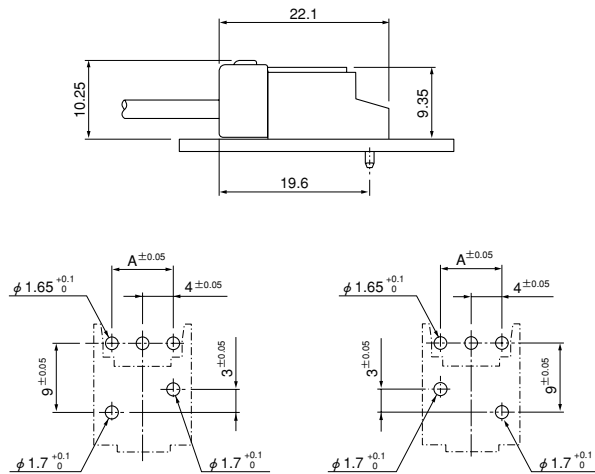
●Single type



●Double type



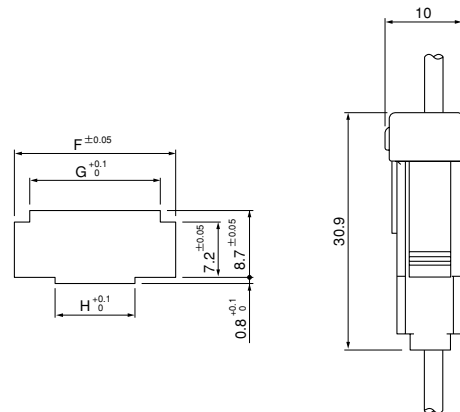
Side entry type



Keying: A, B types

Keying: C type

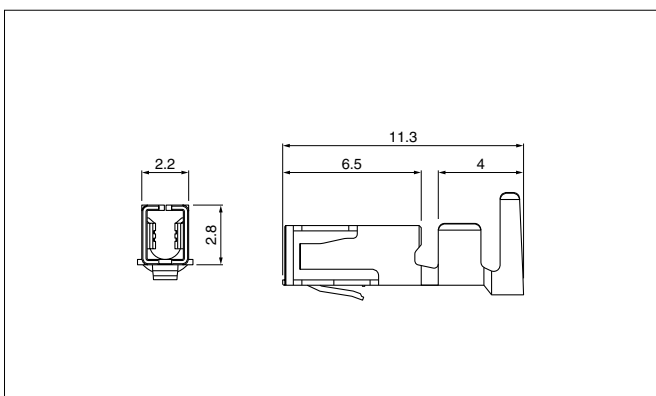
Wire-to-wire type



| Circuits | F | | G | H | Applicable panel thickness |
|----------|-----------------------|--------------------|----|-----|----------------------------|
| | $0.8 \leq t \leq 1.2$ | $1.2 < t \leq 2.0$ | | | |
| 2 | 13 | 13.3 | 9 | 6.8 | 0.8~2.0 |
| 3 | 17 | 17.3 | 13 | 8.4 | |

- Note: 1. The above figure is the figure viewed from the connector mounting side
 2. Tolerances are non-cumulative: ± 0.05 mm for all centers.
 3. Hole dimensions differ according to the type of PC board and piercing method.
 The dimensions above should serve as a guideline. Contact JST for details.

Socket contact



| Model No. | Applicable wire | | Insulation O.D. (mm) | Q'ty / reel |
|----------------|-----------------|-------|----------------------|-------------|
| | mm ² | AWG# | | |
| SPSI-001T-M1.1 | 0.13~0.33 | 26~22 | 1.3~2.4 | 2,600 |
| SPSI-41T-M1.1 | 0.5 ~1.25 | 20~16 | 1.7~3.2 | 2,600 |

Material and Finish

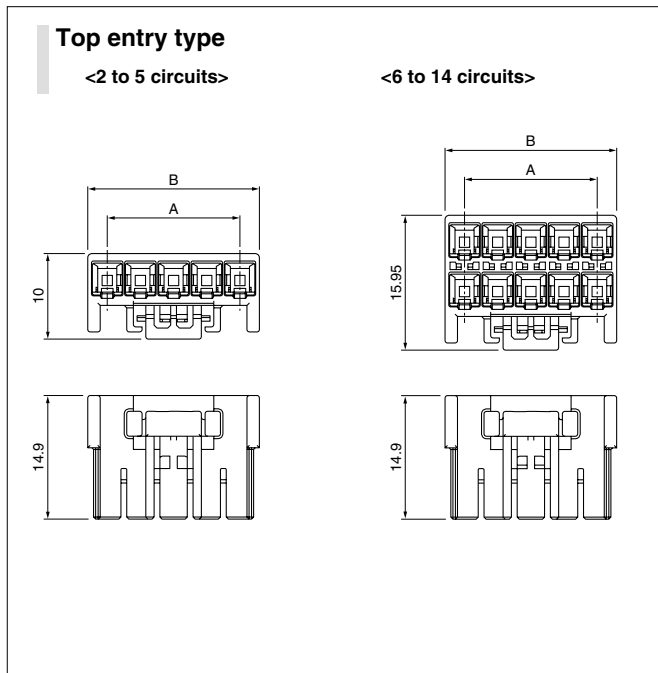
Copper alloy, tin-plated

RoHS compliance

| Contact | Crimping machine | Applicator | | |
|----------------|------------------|------------------|------------------|----------------------------|
| | | Crimp applicator | Dies | Crimp applicator with dies |
| SPSI-001T-M1.1 | AP-K2N | MKS-L | MK/SPSI/M-001-11 | APLMK SPSI/M001-11 |
| | | — | — | — |
| SPSI-41T-M1.1 | — | MKS-L | MK/SPSI/M-41-11 | APLMK SPSI/M41-11 |
| | | — | — | — |

PSI CONNECTOR

Socket housing



| Circuits | Keying | Model No. | Dimensions (mm) | | Q'ty / box |
|----------|--------|----------------------|-----------------|------|------------|
| | | | A | B | |
| 2 | A | PSIP-02V-LE-A | 4.0 | 8.7 | 500 |
| | B | PSIP-02V-Y-B | 4.0 | 8.7 | 500 |
| | C | PSIP-02V-R-C | 4.0 | 8.7 | 500 |
| 3 | A | PSIP-03V-LE-A | 8.0 | 12.7 | 300 |
| | B | PSIP-03V-Y-B | 8.0 | 12.7 | 300 |
| | C | PSIP-03V-R-C | 8.0 | 12.7 | 300 |
| 4 | A | PSIP-04V-LE-A | 12.0 | 16.7 | 200 |
| | B | PSIP-04V-Y-B | 12.0 | 16.7 | 200 |
| | C | PSIP-04V-R-C | 12.0 | 16.7 | 200 |
| 5 | — | PSIP-05V-LE | 16.0 | 20.7 | 200 |
| 6 | — | PSIP-06V-LE | 8.0 | 12.7 | 200 |
| 8 | — | PSIP-08V-LE | 12.0 | 16.7 | 200 |
| 10 | — | PSIP-10V-LE | 16.0 | 20.7 | 150 |
| 12 | — | PSIP-12V-LE | 20.0 | 24.7 | 150 |
| 14 | — | PSIP-14V-LE | 24.0 | 28.7 | 100 |

Material

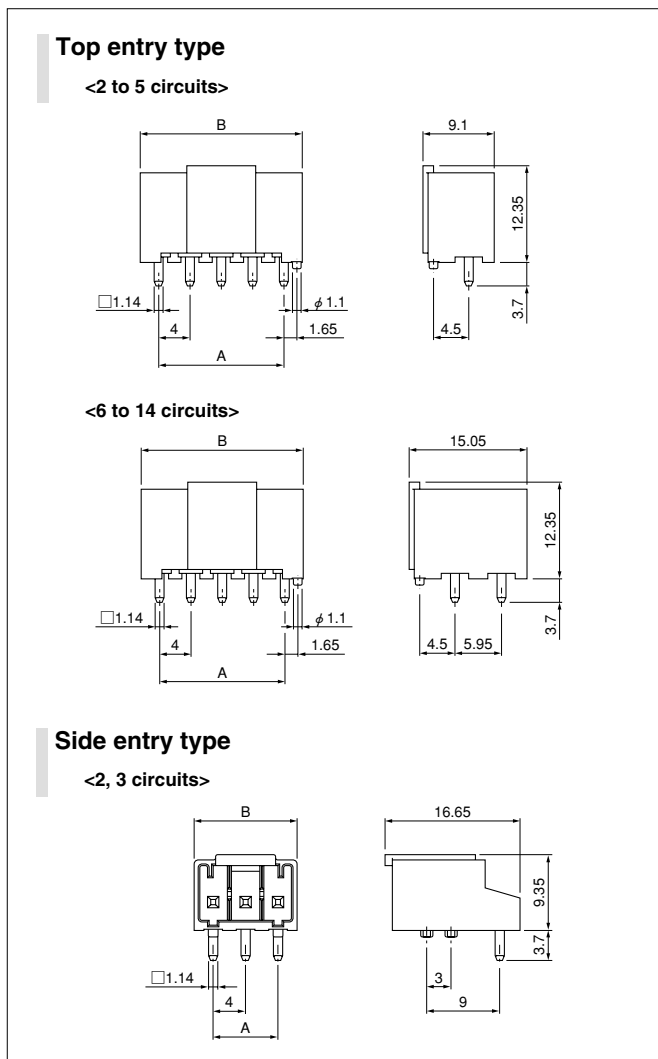
Glass-filled PBT, UL94V-0

RoHS compliance

<For reference> As the color identification, the following alphabet shall be put in the underlined part. For availability, delivery and minimum order quantity, contact JST.

ex. **PSIP-02V-LE-A** LE...light blue Y...yellow R...red

Header



| Circuits | Keying | Model No. | Dimensions (mm) | | Q'ty / box |
|----------|--------|----------------------|-----------------|------|------------|
| | | | A | B | |
| 2 | A | B02B-PSILE-A1 | 4.0 | 8.7 | 500 |
| | B | B02B-PSIY-B1 | 4.0 | 8.7 | 500 |
| | C | B02B-PSIR-C1 | 4.0 | 8.7 | 500 |
| 3 | A | B03B-PSILE-A1 | 8.0 | 12.7 | 300 |
| | B | B03B-PSIY-B1 | 8.0 | 12.7 | 300 |
| | C | B03B-PSIR-C1 | 8.0 | 12.7 | 300 |
| 4 | A | B04B-PSILE-A1 | 12.0 | 16.7 | 200 |
| | B | B04B-PSIY-B1 | 12.0 | 16.7 | 200 |
| | C | B04B-PSIR-C1 | 12.0 | 16.7 | 200 |
| 5 | — | B05B-PSILE-1 | 16.0 | 20.7 | 200 |
| 6 | — | B06B-PSILE-1 | 8.0 | 12.7 | 200 |
| 8 | — | B08B-PSILE-1 | 12.0 | 16.7 | 200 |
| 10 | — | B10B-PSILE-1 | 16.0 | 20.7 | 150 |
| 12 | — | B12B-PSILE-1 | 20.0 | 24.7 | 150 |
| 14 | — | B14B-PSILE-1 | 24.0 | 28.7 | 100 |

Material and Finish

Post: Copper alloy, copper-undercoated, tin-plated (reflow treatment)
Header: Glass-filled PBT, UL94V-0

| Circuits | Keying | Model No. | Dimensions (mm) | | Q'ty / box |
|----------|--------|----------------------|-----------------|------|------------|
| | | | A | B | |
| 2 | A | S02B-PSILE-A1 | 4.0 | 8.7 | 350 |
| | B | S02B-PSIY-B1 | 4.0 | 8.7 | 350 |
| | C | S02B-PSIR-C2 | 4.0 | 8.7 | 350 |
| 3 | A | S03B-PSILE-A1 | 8.0 | 12.7 | 200 |
| | B | S03B-PSIY-B1 | 8.0 | 12.7 | 200 |
| | C | S03B-PSIR-C2 | 8.0 | 12.7 | 200 |

Material and Finish

Post: Copper alloy, copper-undercoated, tin-plated (reflow treatment)
Header: Glass-filled PBT, UL94V-0

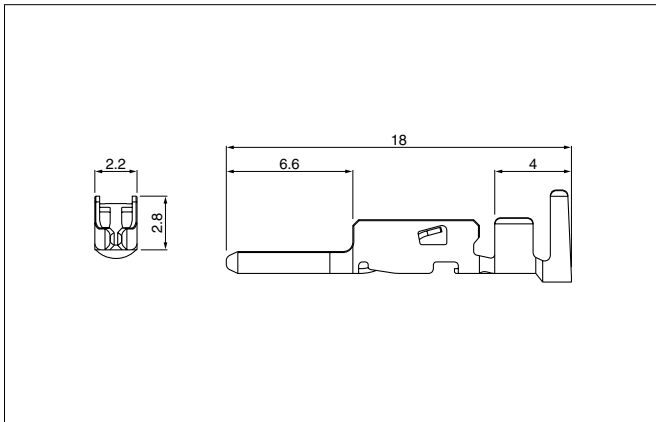
RoHS compliance This product displays (LF)(SN) on a label. Note: Other kinds of post-omitted products are available. Contact JST for details.

<For reference> As the color identification, the following alphabet shall be put in the underlined part. For availability, delivery and minimum order quantity, contact JST.

ex. **B02B-PSILE-A1** LE...light blue Y...yellow R...red

PSI CONNECTOR

Pin contact



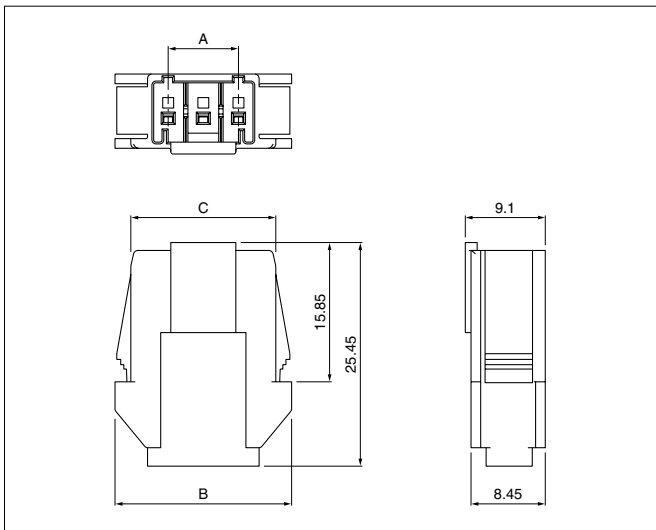
| Model No. | Applicable wire | | Insulation O.D. (mm) | Q'ty / reel |
|-----------------------|-----------------|-------|----------------------|-------------|
| | mm ² | AWG# | | |
| SPSM-001T-M1.1 | 0.13~0.33 | 26~22 | 1.3~2.4 | 2,600 |
| SPSM-41T-M1.1 | 0.5 ~1.25 | 20~16 | 1.7~3.2 | 2,600 |

Material and Finish
Copper alloy, tin-plated

RoHS compliance

| Contact | Crimping machine | Applicator | | |
|-----------------------|------------------|------------------|------------------|----------------------------|
| | | Crimp applicator | Dies | Crimp applicator with dies |
| SPSM-001T-M1.1 | AP-K2N | MKS-L | MK/SPSI/M-001-11 | APLMK SPSI/M001-11 |
| | | — | — | — |
| SPSM-41T-M1.1 | AP-K2N | MKS-L | MK/SPSI/M-41-11 | APLMK SPSI/M41-11 |
| | | — | — | — |

Receptacle housing



| Circuits | Keying | Model No. | Dimensions (mm) | | | Q'ty / bag |
|----------|--------|----------------------|-----------------|------|------|------------|
| | | | A | B | C | |
| 2 | A | PSIR-02V-LE-A | 4.0 | 16.1 | 12.5 | 200 |
| | B | PSIR-02V-Y-B | 4.0 | 16.1 | 12.5 | 200 |
| 3 | A | PSIR-03V-LE-A | 8.0 | 20.1 | 16.5 | 150 |
| | B | PSIR-03V-Y-B | 8.0 | 20.1 | 16.5 | 150 |

Material
Glass-filled PBT, UL94V-0

RoHS compliance

<For reference> As the color identification, the following alphabet shall be put in the underlined part. For availability, delivery and minimum order quantity, contact JST.

ex. **PSIR-03V-LE-A**
LE...light blue Y...yellow

Contact position location numbers

| Socket housing | | Header ●Top entry | | Header ●Side entry | | Receptacle housing | |
|-----------------------------|------------------------------|-----------------------------|------------------------------|-----------------------------|-----------------------------|-----------------------------|-----------------------------|
| | | | | | | | |
| Single <2 to 5 circuits> | Double <6 to 14 circuits> | Single <2 to 5 circuits> | Double <6 to 14 circuits> | Single <2 to 3 circuits> | Double <2 to 3 circuits> | Single <2 to 3 circuits> | Double <2 to 3 circuits> |

PSI CONNECTOR

Keying

■ Socket housing

| Shape | | A type | | B type | | C type | |
|-------------|--|--------|---|--------|--|--------|--|
| Mating part | <2 circuits> | | | | | | |
| | <3 circuits> | | | | | | |
| | <4 circuits> | | | | | | |
| Model No. | 2 circuits 3 circuits 4 circuits | Blue | PSIP-02V-LE-A PSIP-03V-LE-A PSIP-04V-LE-A | Yellow | PSIP-02V-Y-B PSIP-03V-Y-B PSIP-04V-Y-B | Red | PSIP-02V-R-C PSIP-03V-R-C PSIP-04V-R-C |

From 2 circuit to 4 circuit are applied.

■ Header

Top entry type

| Shape | | A type | | B type | | C type | |
|-------------|--|--------|---|--------|--|--------|--|
| Mating part | <2 circuits> | | | | | | |
| | <3 circuits> | | | | | | |
| | <4 circuits> | | | | | | |
| Model No. | 2 circuits 3 circuits 4 circuits | Blue | B02B-PSILE-A1 B03B-PSILE-A1 B04B-PSILE-A1 | Yellow | B02B-PSIY-B1 B03B-PSIY-B1 B04B-PSIY-B1 | Red | B02B-PSIR-C1 B03B-PSIR-C1 B04B-PSIR-C1 |

From 2 circuit to 4 circuit are applied.

Side entry type

| Shape | | A type | | B type | | C type | |
|-------------|--------------------------|--------|--------------------------------|--------|------------------------------|--------|------------------------------|
| Mating part | <2 circuits> | | | | | | |
| | <3 circuits> | | | | | | |
| | <4 circuits> | | | | | | |
| Model No. | 2 circuits 3 circuits | Blue | S02B-PSILE-A1 S03B-PSILE-A1 | Yellow | S02B-PSIY-B1 S03B-PSIY-B1 | Red | S02B-PSIR-C2 S03B-PSIR-C2 |

From 2 circuit to 3 circuit are applied.

Note) Boss: Only C type boss position is reversed.

■ Receptacle housing

| Shape | | A type | | B type | |
|-------------|--------------------------|--------|--------------------------------|--------|------------------------------|
| Mating part | <2 circuits> | | | | |
| | <3 circuits> | | | | |
| | <4 circuits> | | | | |
| Model No. | 2 circuits 3 circuits | Blue | PSIR-02V-LE-A PSIR-03V-LE-A | Yellow | PSIR-02V-Y-B PSIR-03V-Y-B |

From 2 circuit to 3 circuit are applied.

X-ON Electronics

Largest Supplier of Electrical and Electronic Components

Click to view similar products for JST manufacturer:

Other Similar products are found below :

[B02B-WPJSS-1 \(LF\)\(SN\)](#) [SGVHSF-002T-02](#) [IDH-KR-12](#) [10HR-4K](#) [WC-610M](#) [FNGS12-6](#) [TWE0.5-8](#) [YC-110R](#) [FVGS4-1 \(LF\)](#) [WC-800](#)
[WC-PUD2](#) [WC-SFH2](#) [S12B-J21DK-GGXR\(LF\)\(AU\)](#) [MKDP71002](#) [PSIP-06V-LE](#) [WC-SH2832](#) [WC-700M](#) [WC-121](#) [B3B-PH-SM4-](#)
[TB\(LF\)\(SN\)](#) [FVDDF5.5-375A \(LF\)](#) [FVWS2-M4 \(LF\)](#) [FVGS10-6 \(LF\)](#) [YHT-2622](#) [YC-670R](#) [YRS-243](#) [YRS-1090](#) [VLJ-20](#) [WC-0510DIN](#)
[WC-930](#) [WC-GVH2630](#) [S7B-ZR-3.4-\(LF\)\(SN\)](#) [S04B-XASS-1N-BN-\(LF\)\(SN\)](#) [YRS-852](#) [WC-691](#) [WC-1090](#) [IDB-12](#) [GTR1.5-8](#) [YRS-241](#)
[XAP-04V-1](#) [YRS-692](#) [YRS-480](#) [YRS-1091](#) [WC-JWPF](#) [S06B-ZESK-2D\(T\)\(LF\)\(SN\)](#) [WC1091](#) [WC-260P](#) [WC-530](#) [A03WS-MWT-N](#) [IDH-](#)
[NR-12](#) [LEBRP-01V-S](#)