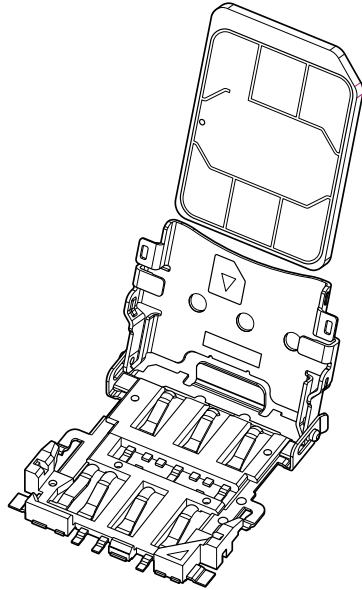


# SCZW CONNECTOR

For 4FF SIM Card



**This is a flip cover type connector for the 4FF SIM card which downsized the conventional SIM card.**

## Specifications

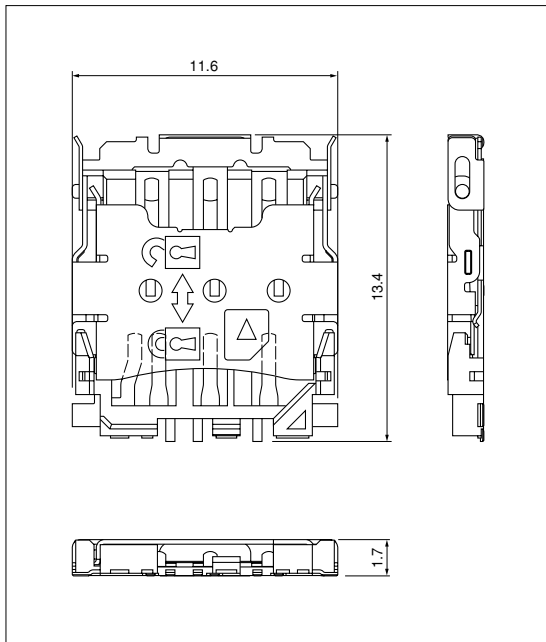
- Current rating: 0.7 A AC, DC
- Voltage rating: 30 V AC, DC
- Temperature range: -25°C to +85°C  
(including temperature rise in applying electrical current)
- Contact resistance: Initial value/ 150 mΩ max.  
After environmental tests/ 100 mΩ max.  
(variation from initial value)
- Insulation resistance: 500 MΩ min.
- Withstanding voltage: Initial; 500 VAC/minute
- Applicable card: 4FF SIM card

\* Refer to "General Instruction and Notice when using Terminals and Connectors" at the end of this catalog.

\* Contact JST for details.

\* Compliant with RoHS.

## Connector



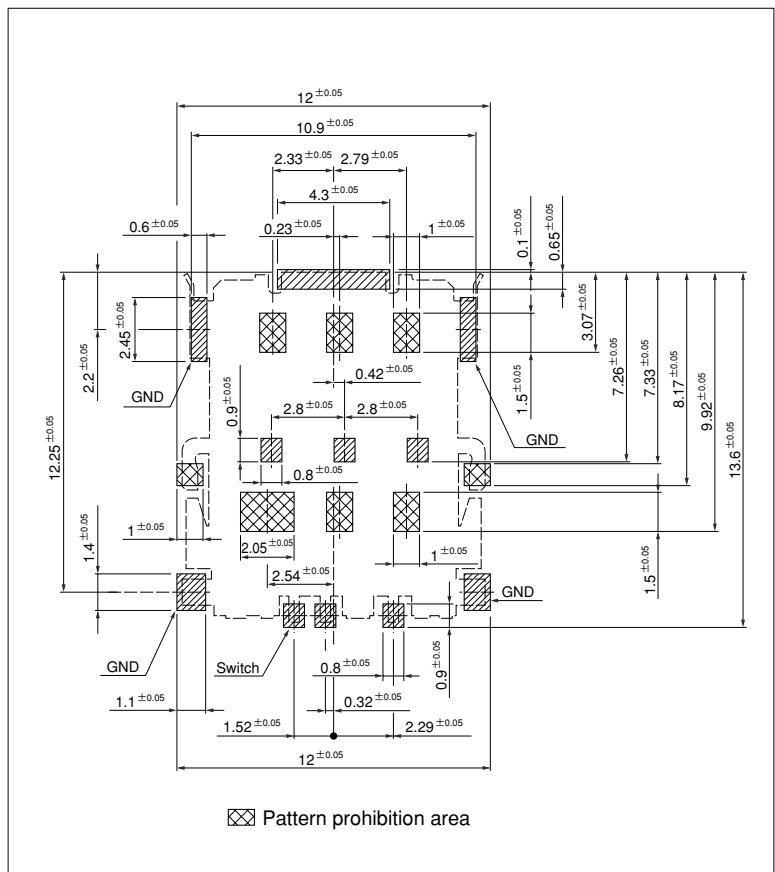
Model No.	Q'ty / reel
SCZW-7SA-1K(HF)	2,500

### Material and Finish

Contact: Copper alloy, nickel-undercoated, gold-plated  
Housing: Heat resisting resin, black  
Shell: Stainless

### RoHS compliance

Note: The product listed above are supplied on embossed-tape.



## X-ON Electronics

Largest Supplier of Electrical and Electronic Components

*Click to view similar products for JST manufacturer:*

Other Similar products are found below :

[B02B-WPJSS-1 \(LF\)\(SN\)](#) [SGVHSF-002T-02](#) [IDH-KR-12](#) [10HR-4K](#) [WC-610M](#) [FNGS12-6](#) [TWE0.5-8](#) [YC-110R](#) [FVGS4-1 \(LF\)](#) [WC-800](#)  
[WC-PUD2](#) [WC-SFH2](#) [S12B-J21DK-GGXR\(LF\)\(AU\)](#) [MKDP71002](#) [PSIP-06V-LE](#) [WC-SH2832](#) [WC-700M](#) [WC-121](#) [B3B-PH-SM4-](#)  
[TB\(LF\)\(SN\)](#) [FVDDF5.5-375A \(LF\)](#) [FVWS2-M4 \(LF\)](#) [FVGS10-6 \(LF\)](#) [YHT-2622](#) [YC-670R](#) [YRS-243](#) [YRS-1090](#) [VLJ-20](#) [WC-0510DIN](#)  
[WC-930](#) [WC-GVH2630](#) [S7B-ZR-3.4-\(LF\)\(SN\)](#) [S04B-XASS-1N-BN-\(LF\)\(SN\)](#) [YRS-852](#) [WC-691](#) [WC-1090](#) [IDB-12](#) [GTR1.5-8](#) [YRS-241](#)  
[XAP-04V-1](#) [YRS-692](#) [YRS-480](#) [YRS-1091](#) [WC-JWPF](#) [S06B-ZESK-2D\(T\)\(LF\)\(SN\)](#) [WC1091](#) [WC-260P](#) [WC-530](#) [A03WS-MWT-N](#) [IDH-](#)  
[NR-12](#) [LEBRP-01V-S](#)