

## Identification

Type Designation	<b>LR3 48-5/10</b>	Type of reactor	<b>3~ Line Reactor</b>
Series	<b>LR3</b>	Core Rating	<b>416.20 var</b>
Core type	<b>3UI 60/31</b>	Drive HP	<b>5 - 10</b>


## Technical Data

No. of phase		<b>3</b>
Circuit type		<b>III0</b>
Rated Voltage	[ V ]	<b>480</b>
Rated current	[ A ]	<b>10.0</b>
Rated Frequency	[ Hz ]	<b>50 - 60</b>
Impedance	[ % ]	<b>5.0</b>
Inductance L	[ mH ]	<b>3.680</b>
L tolerance	[ % ]	<b>±10%</b>
Linearity		<b>150% In</b>
Losses (typical)	[ W ]	<b>34.98</b>
Test voltage	[ kV ]	<b>4.0</b>
Isolation System Class		<b>class 155</b>



## Operating conditions

Ambient temperature	[ °C ]	<b>-10 ... +40°C</b>
Ambient temperature	[ F ]	<b>14 ... 104°F</b>
Type of cooling		<b>AN</b>
Operating conditions		<b>24/7</b>

## Standards

Type:	Signs
VDE 0570 / EN 61 558 Part 1 VDE 0570 / EN 61 558 Part 20	

## Approvals

UL 508		E219022	NMTR
UL 5085-1		E103521	XPTQ

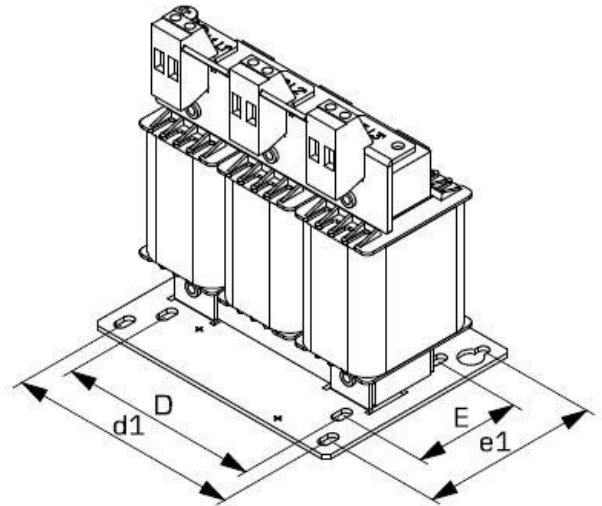
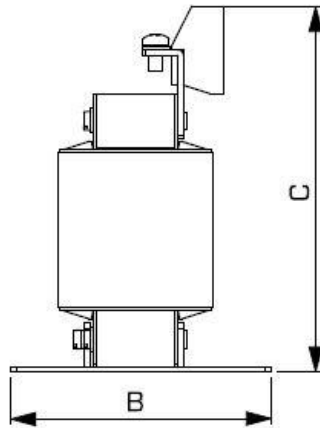
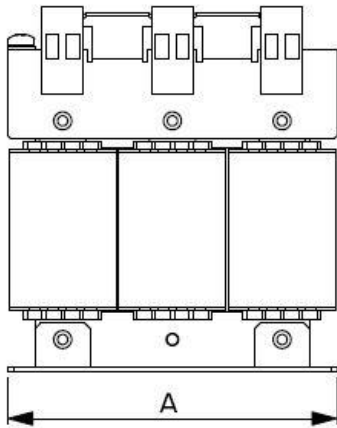
**Product Ident**  
LR3 48-5/10

# Line-Reactor Datasheet



Variations may apply due to material's and production's tolerances. Objected to modifications without notice.

## Dimensions / Mounting in Inches



A	B	C*	F	D	d1	d2	E	e1	e2	Drill
4.72	3.74	5.43	-	3.54	4.13	-	1.93	3.15	-	0.19
										0.19
										-

\* = Typical variable air gab

## Weight

Weight	[ kg ]	<b>2.84</b>
	[ lbs ]	<b>6.26</b>

## Notes

Technical specifications in the drawing are not binding. General tolerance to DIN 7168-m. Subject to change.  
Mounting plates also available in stainless steel as OEM application. Ask for details.

Original Date:	15/04/20	Observe protection clause to ISO 16016	Index	0
Name:	Lüning		Doc. type	
Date:	15/05/06			
Checked:	Wesner		Pages	2 of 2

## X-ON Electronics

Largest Supplier of Electrical and Electronic Components

*Click to view similar products for [Block manufacturer](#):*

Other Similar products are found below :

[PVSB 400/24-20](#) [RKD 40/2X18](#) [RKD 120/2X24](#) [AVB1.0/2/12](#) [FL52/24](#) [FL6/24](#) [AVB0.5/2/6](#) [AVB2.3/2/6](#) [STEU63/23](#) [VB 0.35/1/15](#) [LR3 48-3/80](#) [LR3 48-5/70](#) [LR3 60-3/70](#) [PC-0148-100-0](#) [PC-0324-100-0](#) [PM-0748-400-0](#) [EB-2724-060-0](#) [PVUA 24/24-20](#) [RKD 100/2X24](#) [VB1.5/2/24](#) [FL4/18](#) [TIM500](#) [VB2.3/2/9](#) [AVB3.2/2/6](#) [STEU320/23](#) [STEU100/24](#) [VB 1.5/2/8](#) [SAT600](#) [LR3 48-5/80](#) [LR3 48-5/90](#) [PM-0124-020-0](#) [PM-0148-020-0](#) [PM-0724-120-0](#) [EB-1824-010-0](#) [STEU160/48](#) [FL10/24](#) [FL14/18](#) [SAT200](#) [DCT24-1.5](#) [FL18/6](#) [FL24/6](#) [VB2.3/2/24](#) [VB2.8/2/15](#) [LR3 48-5/16](#) [PM-0112-040-0](#) [PM-0112-070-0](#) [STEU63/24](#) [FL18/12](#) [FL24/24](#) [STEU250/24](#)