

Three phases, primary switched mode power supply **PC-0324-200-0**



Picture shows PC-0324-100-0

Advantages

Stabilised and adjustable output voltage
Fast tripping of standard bi-metal circuit breakers
DC OK signal contact
Parallel operation
Push-in terminals
Robust DIN rail mounting
Resistant to transient overvoltages up to 4 kV
Optional with 50 % Power Boost (PC-0324-xxx-2)

Applications

The economic power supplies in the Power Compact series set new standards in their class. Above-average robustness against transients and energetic surge pulses at their input and equipped with essential additional aspects for a worldwide high plant availability. The output voltage can be set easily using the rotary potentiometer on the front of the housing. The robust DIN rail fastening method and push-in connection terminals enable fast and secure mounting. All versions are available as option with 50% power reserves for high inrush current applications.

Standards

Primary switched mode power supply
to UL 60950, UL 508

Safety:
EN 61558-2-16, EN 60950-1

EMC:
EN 61204-3

Approvals



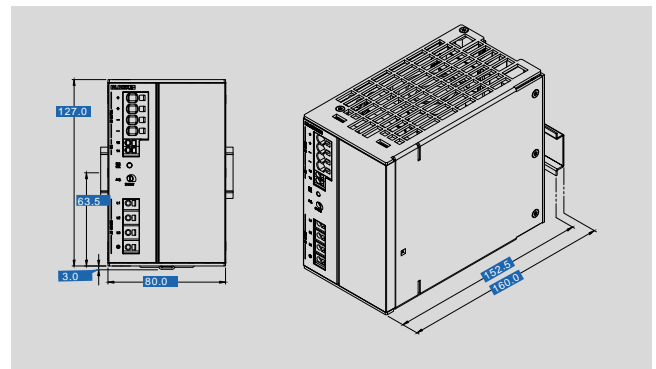
UL/CSA 60950, UL 508, GL (in preparation)



Three phases, primary switched mode power supply PC-0324-200-0

Type	PC-0324-200-0
Electrical data	
Input	
Input rated voltage	400 - 500 Vac
Input voltage range	320 - 575 Vac
Input voltage derating	-
Rated frequency range	44 Hz - 66 Hz / 0 Hz
Input rated current (rated load)	3 x 1.21 A (400 Vac) / 1.03 A (500 Vac)
Starting current limiter	< 30 A, NTC
Input fuse internal	-
Recommended back-up fuse (circuit breaker)	6 A, 10 A, 16 A, characteristic B, C
Transient surge voltage protection	Varistor
Output	
Output rated voltage	24 Vdc
Output voltage range	23 - 28.5 Vdc
Output rated current	20 A
Output limited current	typ. 22 A (constant current)
Power Boost	-
Tripping of LS circuit breakers	max. B6/C4/K4 @ 6mm ² / 20m
Parallel connection	Yes
Serial operation	Yes
Power dissipation, no load/rated load	4.03 W / 42.53 W (400 Vac)
Efficiency	typ. 92 %
Ripple factor	typ. 30 mVss
Resistance to reverse feed max.	35 Vdc
Over-voltage-protection	max. 40 Vdc
Signaling	
Status indicator	LED green
Signal output	Relay contact
Approvals	
Approvals	cURus, cULus, GL (in preparation)
Environment	
Cooling method	natural convection
Ambient temperature	-25° C ... +70° C
Storage temperature	-25° C ... +85° C
Derating	-2.5 %/K > +55° C
Required minimum spacing (left/right)	0 mm
Required minimum spacing (over/under)	50 mm
Safety and protection	
Protection index	IP 20
Safety class	I, with PE connection
Order numbers	
Order Number	PC-0324-200-0

Type	PC-0324-200-0
Mechanical data	
Input	
Connections input (direct plug-in technology Push-In)	max 2,5 mm ²
Output	
Connections output (direct plug-in technology Push-In)	max 6 mm ²
Signaling	
Connections signalling (direct plug-in technology Push-In)	max 2,5 mm ²
Environment	
Mounting position	horizontal for standard rail DIN TH 35
Measures and weights	
Weight	1.51 kg
Dimensions W x H x D	80 x 127 x 152 mm



Subjects to change.

X-ON Electronics

Largest Supplier of Electrical and Electronic Components

Click to view similar products for [Block manufacturer](#):

Other Similar products are found below :

[PVSB 400/24-20](#) [RKD 40/2X18](#) [RKD 120/2X24](#) [AVB1.0/2/12](#) [FL52/24](#) [FL6/24](#) [AVB0.5/2/6](#) [AVB2.3/2/6](#) [STEU63/23](#) [VB 0.35/1/15](#) [LR3 48-3/80](#) [LR3 48-5/70](#) [LR3 60-3/70](#) [PC-0148-100-0](#) [PC-0324-100-0](#) [PM-0748-400-0](#) [EB-2724-060-0](#) [PVUA 24/24-20](#) [RKD 100/2X24](#) [VB1.5/2/24](#) [FL4/18](#) [TIM500](#) [VB2.3/2/9](#) [AVB3.2/2/6](#) [STEU320/23](#) [STEU100/24](#) [VB 1.5/2/8](#) [SAT600](#) [LR3 48-5/80](#) [LR3 48-5/90](#) [PM-0124-020-0](#) [PM-0148-020-0](#) [PM-0724-120-0](#) [EB-1824-010-0](#) [STEU160/48](#) [FL10/24](#) [FL14/18](#) [SAT200](#) [DCT24-1.5](#) [FL18/6](#) [FL24/6](#) [VB2.3/2/24](#) [VB2.8/2/15](#) [LR3 48-5/16](#) [PM-0112-040-0](#) [PM-0112-070-0](#) [STEU63/24](#) [FL18/12](#) [FL24/24](#) [STEU250/24](#)