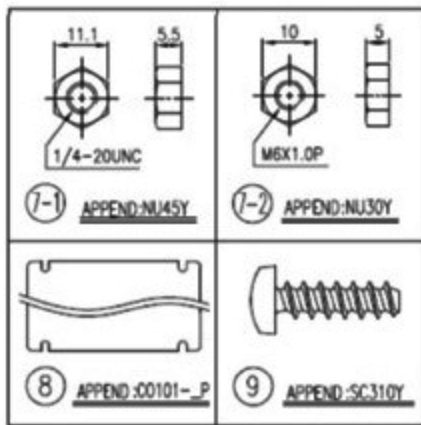
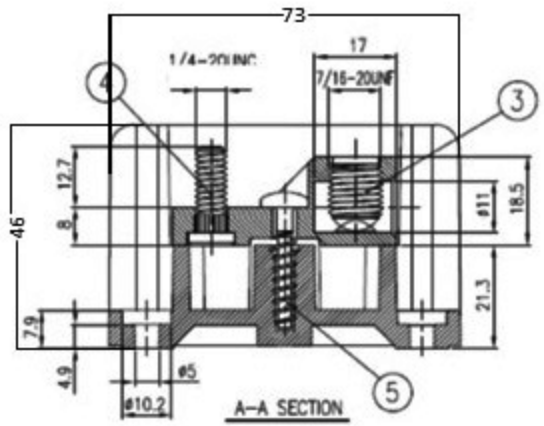
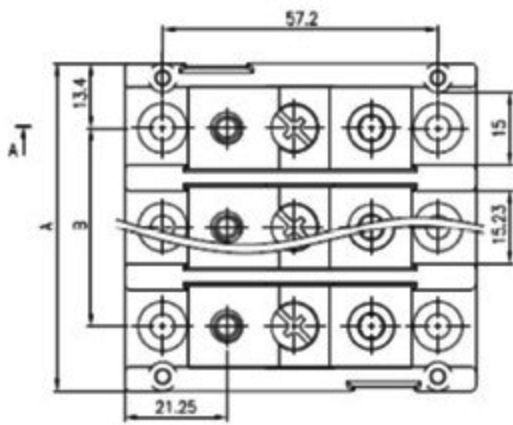


Dimension	Dimensional tolerance												
	Linear dimension						Roundness and chamfer Angle						
	Min	Over	Min	Over	Min	Over	Min	Over	Min	Over	Min	Over	
Tolerance	±0.2	±0.3	±0.5	±0.8	±1.2	±0.4	±1	±2	±3				

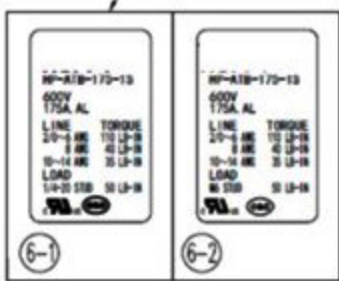
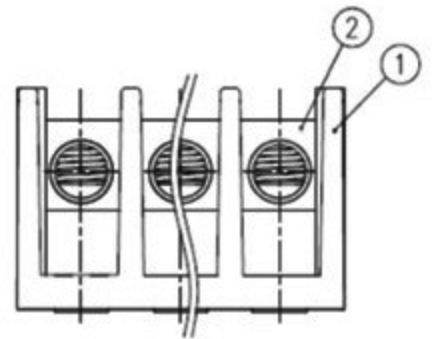
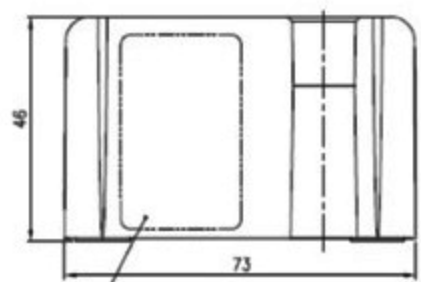


**SPECIFICATIONS**

VOLTAGE RATINGS: 600V  
 CURRENT RATINGS: 175A  
 CONDUCTORS: ALUMINUM  
 MATERIALS: PF UL94V-0  
 SUITABLE WIRE:  
 LINE: 2/0-14 AWG CU  
 LOAD: 1/4-20 STUD

WIRING TORQUE:  
 LINE:  
 2/0-6 AWG 110 LB-IN  
 8 AWG 40 LB-IN  
 10-14 AWG 35 LB-IN  
 LOAD:  
 1/4 STUD 50 LB-IN

CERTIFICATION MARKING: UL CUL CQC



No.	PART No.	BOM								
1	HP-ATB-175-1_P-CL151	1	2	3-1	4-1	5	6-1	7-1	8	9

LINE NUMBER	P	1P	2P	3P
SPACING A		25.25	47.4	68
SPACING B			20.6	41.2

9	SCREW	SS ; 3x1.34Px10L	4	30 <sup>th</sup> PLATED	SC310Y	APPEND
8	COVER	PC ; UL94V-2 11.5	1		CO101-P	APPEND
7-2	NUT	SS ; M6X1.0P	P	30 <sup>th</sup> PLATED	NU30Y	APPEND
7-1	NUT	SS ; 1/4-20UNC	P	30 <sup>th</sup> PLATED	NU45Y	APPEND
6-2	LABEL	PAPER ; 40X25	1		LA2000-14	
6-1	LABEL	PAPER ; 40X25	1		LA2000-1	
5	SCREW	SS ; 5x2.24Px25L	P	30 <sup>th</sup> PLATED	SC304Y	
4-2	SCREW	SS ; M6X1.0P	P	30 <sup>th</sup> PLATED	SC302-2Y	
4-1	SCREW	SS ; 1/4-20UNC	P	30 <sup>th</sup> PLATED	SC302Y	
3-2	SCREW	SS ; 7/16-20UNF	P	30 <sup>th</sup> PLATED	SC392-2Y	HEX 5
3-1	SCREW	ALUMINUM ; 7/16-20UNF	P	5 <sup>th</sup> PLATED	SC303	HEX 3/16
2	CONDUCTORS	ALUMINUM AL6061	P	5 <sup>th</sup> PLATED	ALB-1	
1	BASE	PF ; UL94V-0	1		WB-05-P	BLACK
NO. PART NAME		MATERIAL	Q'TY	FINISH	PART NO.	REMARK

SCALE 1/1 DIM. mm

BlockMaster Electronics

DRAWN BY	CHECKED BY	APPROVED BY	TITLE	TERMINAL BLOCK
L.F.	L.W.S.	L.W.S.		
16.09.19	16.09.19	16.09.19	DWG NO.	HP-ATB-175-1-P-L (HO)

## **X-ON Electronics**

Largest Supplier of Electrical and Electronic Components

*Click to view similar products for [Blockmaster](#) manufacturer:*

Other Similar products are found below :

[OTB-388-03P-C](#) [OTB-359N-02P-C](#) [OT-016-M5-L8](#) [HP-ATB-175-5-3P](#) [OTB-358N-06P-C](#) [HP-ATB-175-4-3P](#) [HP-AT-101-1-2P](#) [OTB-351-03P-C](#) [OTB-388-04P-C](#) [OP-487-M6](#) [HP-AT-101-1-3P](#) [HB951-23P](#) [OTB-351-12P-C](#) [OTB-330N-03P-C](#) [OTB-351-05P-C](#) [OTB-388-02P-C](#) [OP-055-M5-L1](#) [OT-201-M8](#) [OP-075-M5](#) [OT-047-M4](#) [675-303/920](#) [OT-048-M5](#) [PSM020H5](#) [MSB03005](#) [KS-03](#) [HI-205-07PH-C](#) [675-102/0](#)  
[675-302/0](#)