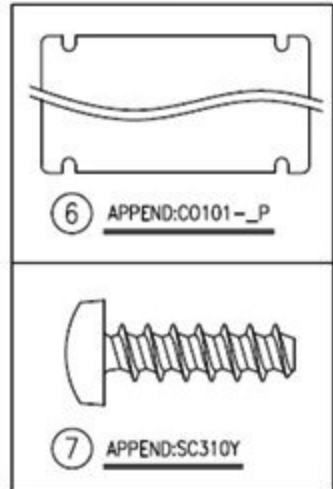
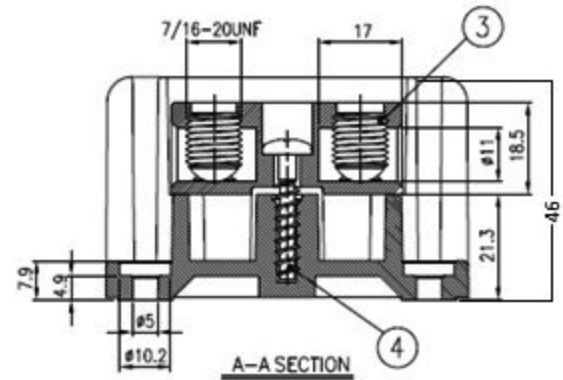
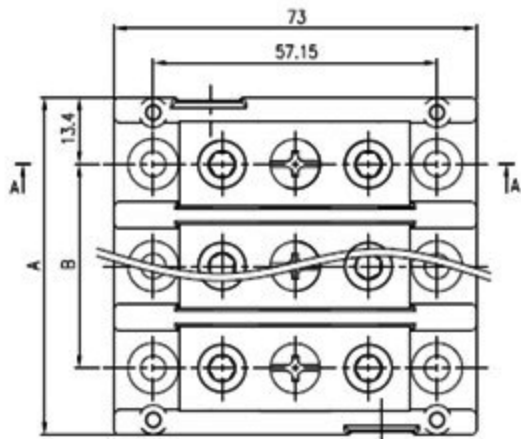
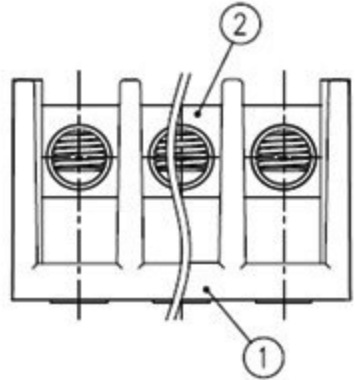
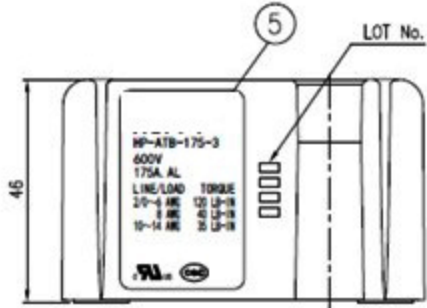


Dimension	Dimensional tolerance										
	Linear dimension					Roundness and chamfer					Angle
	With in 3	Over to 3	Over to 30	Over to 120	Over 120	With in 3	Over to 3	Over 3	Over 3	Over 3	
Tolerance	±0.2	±0.3	±0.5	±0.8	±1.2	±0.4	±1	±2	±3		



SPECIFICATIONS	
VOLTAGE RATINGS: 600V	
CURRENT RATINGS: 175A	
CONDUCTORS: ALUMINUM	
MATERIALS: PF UL94V-0	
SUITABLE WIRE:	
LINE:	2/0~14 AWG CU
LOAD:	2/0~14 AWG CU
WIRING TORQUE:	
LINE:	2/0~6 AWG 120 LB-IN
	8 AWG 40 LB-IN
	10~14 AWG 35 LB-IN
LOAD:	4~14 AWG 26 LB-IN
CERTIFICATION MARKING: CQC UL CUL	



LINE P	1P	2P	3P
SPACING A	25.25	47.4	68
SPACING B		20.6	41.2

No.	PART No.	BOM						
1	HP-ATB-175-3_P-CL1	1	2	3-1	4	5	6	7

7	SCREW	SS ; 3x1.34Px10L	4	HO PLATED	SC310Y	APPEND
6	COVER	PC ; UL94V-2 t1.5	1		C0101-_P	APPEND
5	LABEL	PAPER ; 40X25	1		U2000-11	
4	SCREW	SS ; 5x2.24Px25L	P	HO PLATED	SC304Y	
3-2	SCREW	SS ; 7/16-20UNF	2P	HO PLATED	SC392-2Y	HEX 5
3-1	SCREW	ALUMINUM ; 7/16-20UNF	2P	Sn PLATED	SC303	HEX 3/16
2	CONDUCTORS	ALUMINUM AL6061	P	Sn PLATED	ALB-3	
1	BASE	PF ; UL94V-0	1	HO-175-3	HP-ATB-175-3	BLACK

No.	DATE	CONTENT	REVISOR	APPROVER	NO.	PART NAME	MATERIAL	Q'TY	FINISH	PART NO.	REMARK
SCALE		1/1	DIM. mm		DRAWN BY		CHECKED BY	APPROVED BY	TITLE		
					L.F.		L.W.S.	L.W.S.	TERMINAL BLOCK		
BlockMaster Electronics				DRAWN NO.		16.09.06		16.09.06		HP-ATB-175-3-_P-_L_ (HO)	

X-ON Electronics

Largest Supplier of Electrical and Electronic Components

Click to view similar products for [Blockmaster](#) manufacturer:

Other Similar products are found below :

[OTB-388-03P-C](#) [OTB-359N-02P-C](#) [OT-016-M5-L8](#) [HP-ATB-175-5-3P](#) [OTB-358N-06P-C](#) [HP-ATB-175-4-3P](#) [HP-AT-101-1-2P](#) [OTB-351-03P-C](#) [OTB-388-04P-C](#) [OP-487-M6](#) [HP-AT-101-1-3P](#) [HB951-23P](#) [OTB-351-12P-C](#) [OTB-330N-03P-C](#) [OTB-351-05P-C](#) [OTB-388-02P-C](#) [OP-055-M5-L1](#) [OT-201-M8](#) [OP-075-M5](#) [OT-047-M4](#) [675-303/920](#) [OT-048-M5](#) [PSM020H5](#) [MSB03005](#) [KS-03](#) [HI-205-07PH-C](#) [675-102/0](#)
[675-302/0](#)