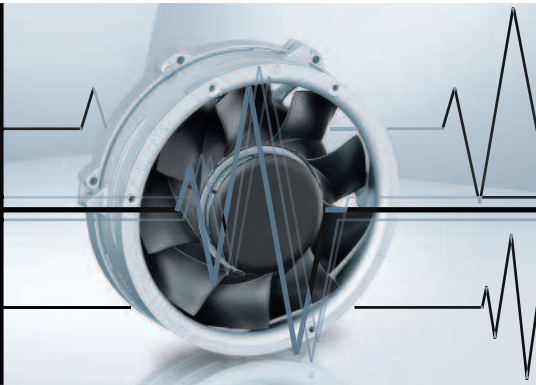


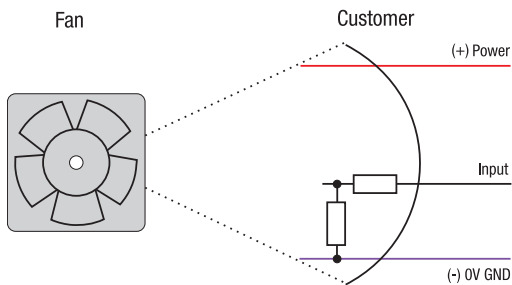
Speed setting via control voltage or PWM signal

– The control variable is a PWM signal or analog control voltage.



Speed setting via analog control voltage type A

– Standard control range 0 ... 10 V

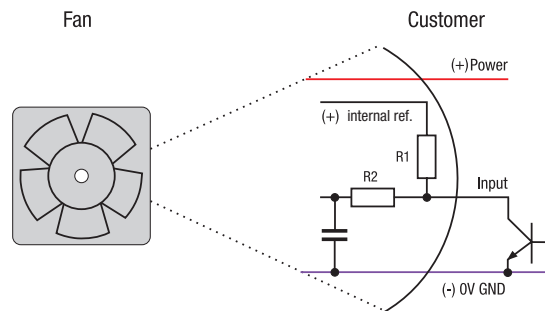


Typical input resistance > 10 k

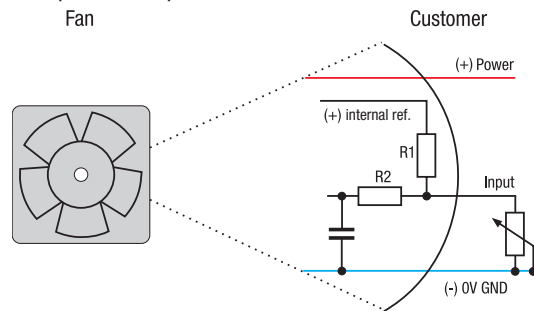
Speed setting via PWM type P

– Standard PWM signal in two versions

- a) PWM frequency, mainly 1 ... 10 kHz (0-100%), Open-collector input
- b) Four-wire interface according to Intel specifications for 12 VDC fans, PWM frequency 25 kHz, incl. speed signal /2



– Optional with potentiometer

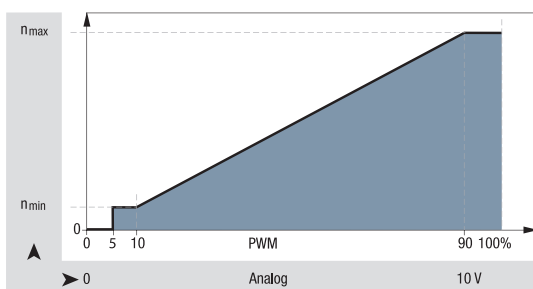


Internal reference = + 5 V

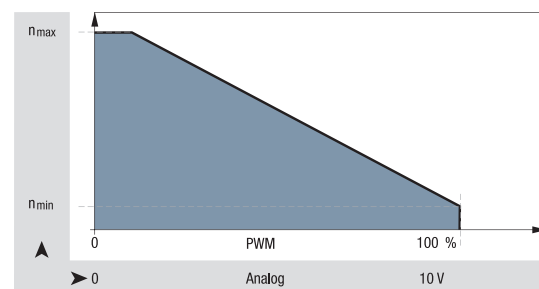
R1 typical 4.7...10 k Ω

R2 typical 100 k Ω

Standard P / A curve



Optionally available with selectable P / A speed curve



X-ON Electronics

Authorized Distributor

Click to view similar products for [ebm papst](#) manufacturer.

Other Similar products are found below :

[0150546711](#) [031007000](#) [0374924039](#) [0401324039](#) [0710036](#) [0714524](#) [09325G](#)
[0949024039](#) [0949324039](#) [0949424039](#) [0949624039](#) [0949824039](#) [0950324039](#)
[0953224039](#) [0956624013](#) [0957624013](#) [0960924013](#) [1001615170](#) [1001715170](#)
[1001815170](#) [1002015170](#) [1002115170](#) [1002315170](#) [1002415170](#) [1063741040](#)