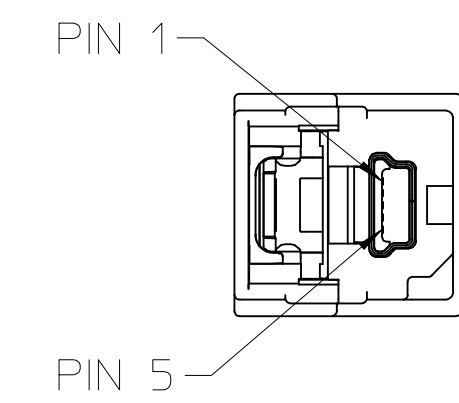
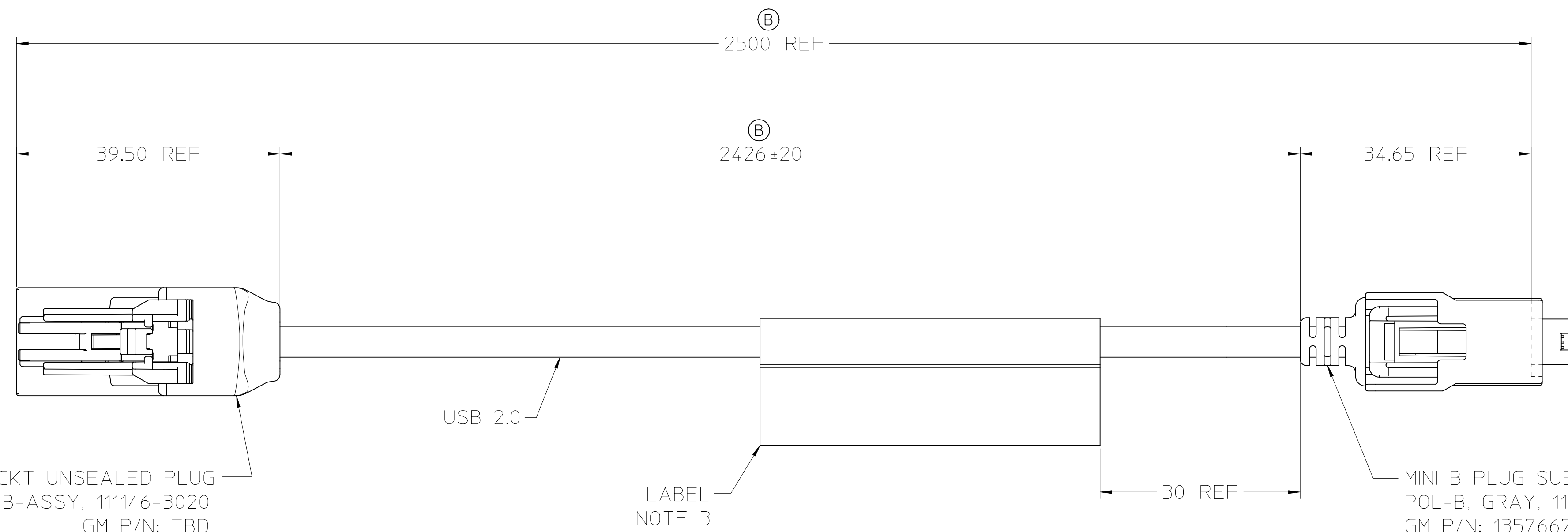


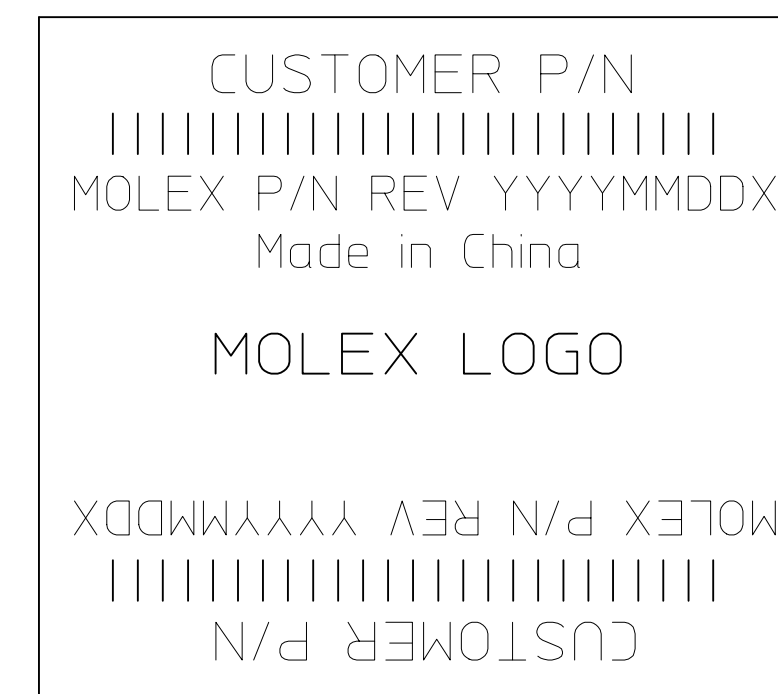
HSAL2 12CKT UNSEALED PLUG  
SUB-ASSY, 111146-3020  
GM P/N: TBD



MINI-B PLUG SUBASSY  
POL-B, GRAY, 111014-9001  
GM P/N: 13576673

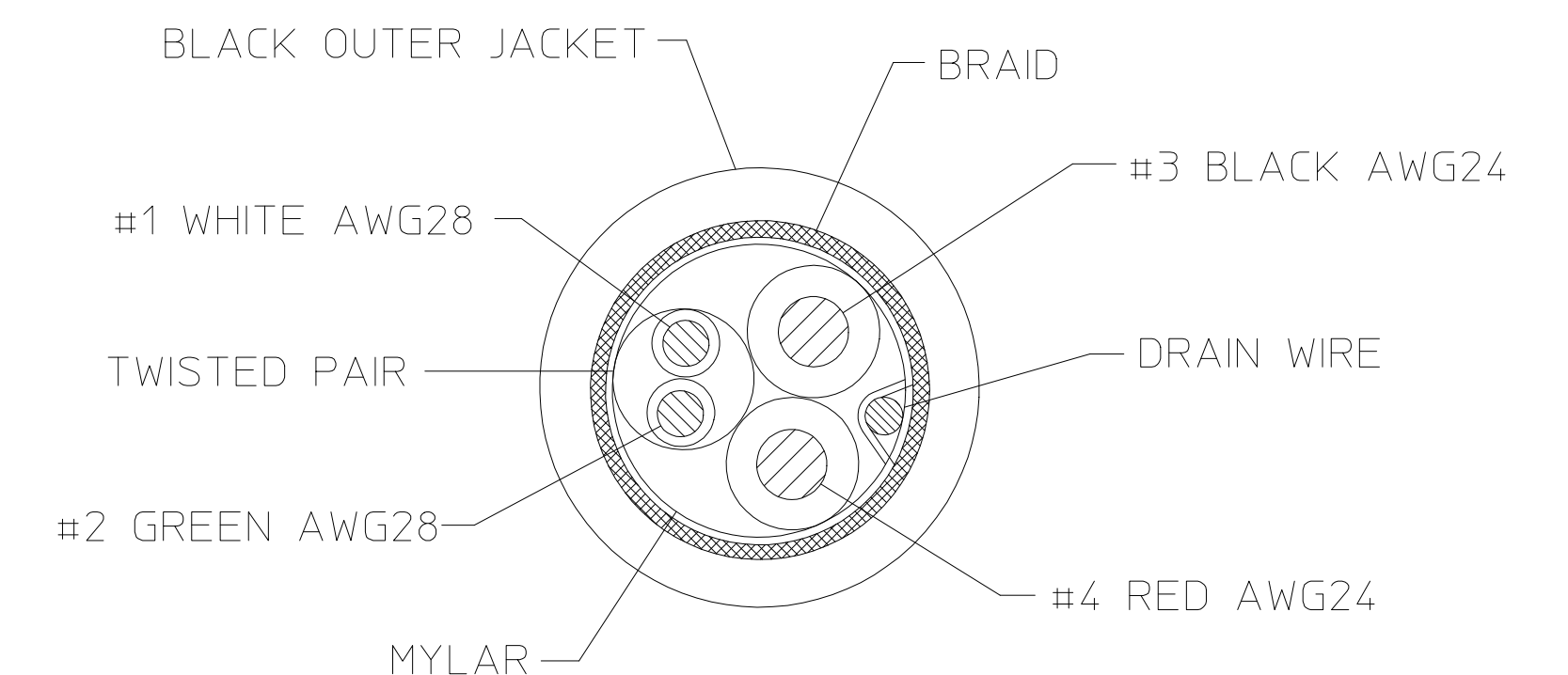
WIRING DIAGRAM

	SIGNAL NAME	PIN #	WIRE COLORS	WIRE COLORS	PIN #	SIGNAL NAME	
HSAL2 PLUG	NO CONNECT	1	--	--	--	--	MINI-B PLUG USB 2.0
	NO CONNECT	2	--	--	--	--	
	NO CONNECT	3	--	--	--	--	
	NO CONNECT	4	--	--	--	--	
	NO CONNECT	5	--	--	--	--	
	NO CONNECT	6	--	--	--	--	
	VBUS1_3.0	7	RED	--	--	--	
	DM1	8	WHITE	RED	1	VBUS	
	DP1	9	GREEN	WHITE	2	D-	
	VGND1_3.0	10	BLACK	GREEN	3	D+	
	NO CONNECT	11	--	--	4	NO CONNECT	
	NO CONNECT	12	--	BLACK	5	GND	
	BRAID(S)	SHIELD	BRAID(S)	BRAID/DRAIN	SHIELD	BRAID/DRAIN	



LABEL FORMAT

LAST LETTER OF DATE CODE "X":  
'D'= DAY SHIFT, 'N'= NIGHT SHIFT  
BAR CODE = MOLEX MATERIAL NUMBER



CABLE CONSTRUCTION  
USB 2.0

MOLEX P/N	CUSTOMER P/N	DESCRIPTION
100182-0025	--	BENCH CABLE

NOTES:

1. PRODUCT SPECIFICATION: PS-XXXXXXX.
2. PACKAGING SPECIFICATION: RPK-100182-025.
3. IDENTIFICATION LABEL MUST DISPLAY CUSTOMER PART NUMBER, SUPPLIER PART NUMBER, DATE CODE (YYYYMMDD), REVISION, AND LOGO.
4. PART MUST CONFORM TO THE LATEST REVISION OF SAE/USCAR-30 AND USB 2.0.
5. LEAD FREE, NO ROHS EXEMPTIONS.

REVISED LENGTH EC NO: CPG2014-3807 DRW:HEMARTINEZ 2014/06/04 CHKD: JPAWLICKI 2014/06/04 APPR:KMONROE 2014/06/17	QUALITY SYMBOLS	GENERAL TOLERANCES (UNLESS SPECIFIED)	DIMENSION STYLE MM ONLY	SCALE 2:1	DESIGN UNITS METRIC	THIRD ANGLE PROJECTION
	▽=0	mm INCH	DRAWN BY DATE HEMARTINEZ 2014/05/05	TITLE	<b>molex</b> USB 2.0 CABLE ASSEMBLY HSAL2 12CKT UNSLDR PLG TO HSAL1 MINI-B PLUG POL-B RSD-100182-025 SHEET NO. 1 OF 2	
	▽=0	4 PLACES ± --- ± ---	CHECKED BY DATE JPAWLICKI 2014/05/05			
	▽=0	3 PLACES ± --- ± ---	APPROVED BY DATE KMONROE 2014/05/15			
	2 PLACES ± 0.25 ± ---	MATERIAL NO. DOCUMENT NO.				
	1 PLACE ± 0.5 ± ---	0 PLACE ± --- ± ---	SEE CHART			
	ANGULAR ± 3 °	DRAFT WHERE APPLICABLE MUST REMAIN WITHIN DIMENSIONS	SIZE D	THIS DRAWING CONTAINS INFORMATION THAT IS PROPRIETARY TO MOLEX INCORPORATED AND SHOULD NOT BE USED WITHOUT WRITTEN PERMISSION		

DATE	REV	DESCRIPTION
2014/05/07	A	ORIGINAL RELEASE
2014/06/04	B	REVISED LENGTH

SEE REV. TABLE EC NO: CPG2014-3807 DRWN:HEMARTINEZ 2014/06/04 CHKD:JPAWLICKI 2014/06/04 APPR:KMONROE 2014/06/17	QUALITY SYMBOLS	GENERAL TOLERANCES (UNLESS SPECIFIED)	DIMENSION STYLE	SCALE	DESIGN UNITS	THIRD ANGLE PROJECTION
	▽=0	mm INCH	MM ONLY	1:1	METRIC	
	▽=0	4 PLACES ± --- ± ---	DRAWN BY DATE	TITLE USB 2.0 CABLE ASSEMBLY HSAL2 12CKT UNSLD PLG TO HSAL1 MINI-B PLUG POL-B		
	▽=0	3 PLACES ± --- ± ---	HEMARTINEZ 2014/05/05			
▽=0	2 PLACES ± 0.25 ± ---	CHECKED BY DATE	SHEET NO. 2 OF 2			
▽=0	1 PLACE ± 0.5 ± ---	JPAWLICKI 2014/05/05				
▽=0	0 PLACE ± --- ± ---	APPROVED BY DATE	DOCUMENT NO. RSD-100182-025			
▽=0	ANGULAR ± 3 °	KMONROE 2014/05/15				
	DRAFT WHERE APPLICABLE MUST REMAIN WITHIN DIMENSIONS	MATERIAL NO.	THIS DRAWING CONTAINS INFORMATION THAT IS PROPRIETARY TO MOLEX INCORPORATED AND SHOULD NOT BE USED WITHOUT WRITTEN PERMISSION			
		SEE SHEET 1				

## **X-ON Electronics**

Largest Supplier of Electrical and Electronic Components

*Click to view similar products for [Molex manufacturer:](#)*

Other Similar products are found below :

[47632-3000](#) [11-24-1109](#) [11170334](#) [11404919](#) [15800169](#) [210200207](#) [11405341](#) [11210115](#) [11404599](#) [1060043388](#) [11170336](#) [11184843](#)  
[11241228](#) [11404918](#) [38001344](#) [595885000](#) [622018618](#) [845901014](#) [747360213](#) [625000212](#) [716612130](#) [690372163](#) [210200257](#) [387212221](#)  
[63827-1500](#) [387790039](#) [1062837003](#) [383304708](#) [395011506](#) [0533241060](#) [09623102](#) [445600022](#) [387700311](#) [26482083](#) [387240805](#)  
[26612030](#) [395040607](#) [387403106](#) [22051112](#) [874381042](#) [395311509](#) [0522712269](#) [191980071](#) [398800105](#) [676430930](#) [82-24-5910](#)  
[1061052100](#) [1061143200](#) [734155590](#) [34830-2002](#)