



# MIL-DTL-5015 Type Reverse Bayonet Coupling (Series ITS) with Single RJ45 Connector

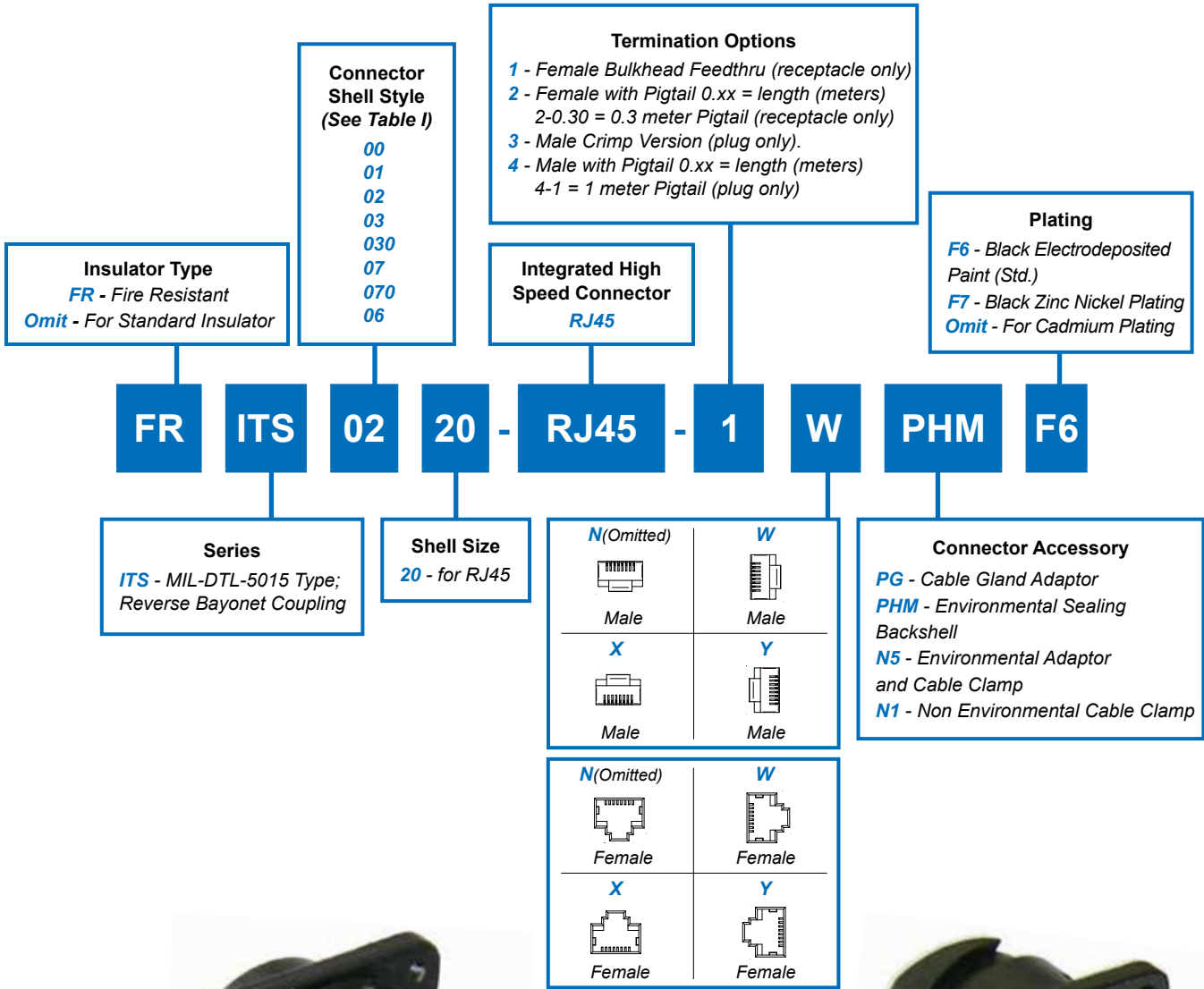


Figure 1  
Receptacle (Front)



Figure 2  
Receptacle (Rear)

# MIL-DTL-5015 Type Reverse Bayonet Coupling (Series ITS) with Single RJ45 Connector



**TABLE I**

**Connector Shell  
Detailed Description**

- 00** - Front Panel Mount Square Flange Receptacle with Accessory Threads
- 01** - In Line Cylindrical Receptacle with Accessory Threads
- 02** - Front Panel Mount Square Flange Receptacle; No Accessory Threads
- 03** - Rear Panel Mount Square Flange Receptacle; No Accessory Threads
- 030** - Rear Panel Mount Square Flange Receptacle with Accessory Threads
- 07** - Rear Panel Mount Jam Nut Receptacle; No Accessory Threads
- 070** - Rear Panel Mount Jam Nut Receptacle with Accessory Threads
- 06** - Straight Cylindrical Plug Connector with Accessory Threads

Commercial-grade RJ45 connectors are intended for use in clean, dry environments. Exposure to dirt and moisture can lead to damage or failure. Glenair's sealed RJ45 connectors provide a high level of protection for the most hostile environments. Standard RJ45 jacks are housed in rugged, waterproof ITS Series bayonet connectors. Connectors feature resilient nitrile inserts and electrodeposited corrosion-resistant black paint or black zinc nickel plating. Cadmium plating is also available. A typical ITS RJ45 application consists of a through bulkhead female receptacle (*Figure 1 and 2*) and a male plug crimp RJ45 (*Figure 3*).

**TECHNICAL CHARACTERISTICS**

Category	Cat. 6 (Cat 5E available upon request)
Connection	10BaseT, 100BaseTx, 1000BaseT
Working Voltage	30/42 Volts AC RMS/VDC
Max Current Rating	1.5 Amps at 20° C
Max Contact Resistance	20 mΩ
Min. Insulation Resistance	1.000 mΩ at 500 Volts DC
Dielectric Withstanding Voltage	1000 Volts
Working Temperature	-40° to +68° C
Environmental Rating	IP67 (mated)
Wiring	According to EIA/TIA 568 A



**Figure 3**  
Plug (Front)



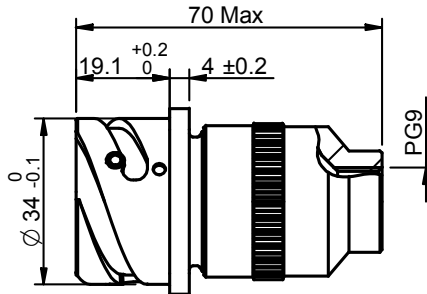
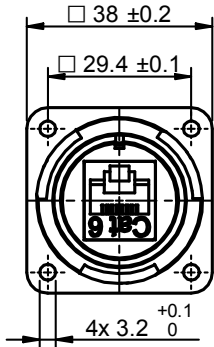
**Figure 4**  
RJ45 Interconnection Sequence



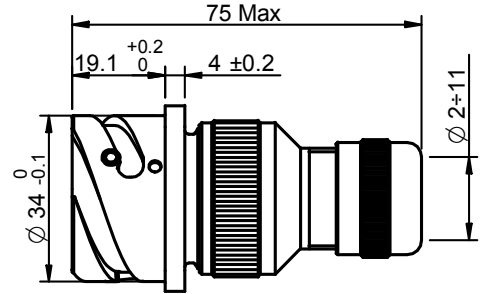
MIL-DTL-5015 Type Reverse Bayonet Coupling (Series ITS) with Single RJ45 Connector

CONFIGURATIONS AVAILABLE : ITS 00

Front View

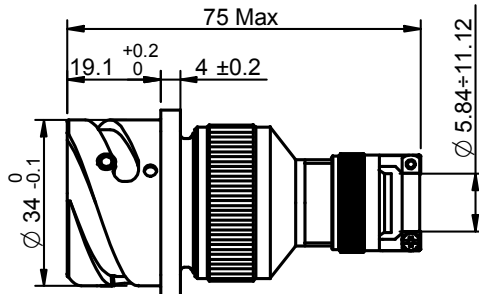
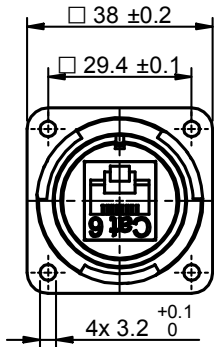


FRITS0020-RJ45-1PGF6

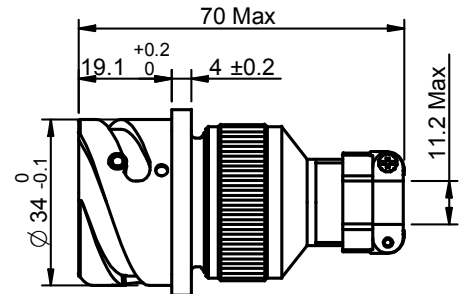


FRITS0020-RJ45-1PHMF6

Front View



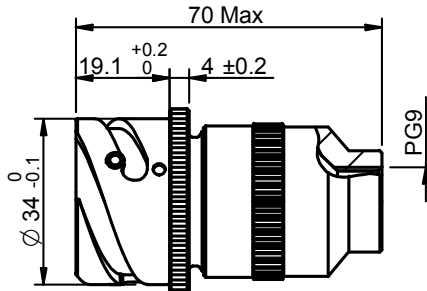
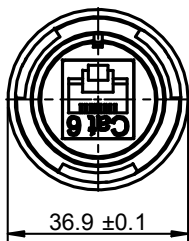
FRITS0020-RJ45-1N5F6



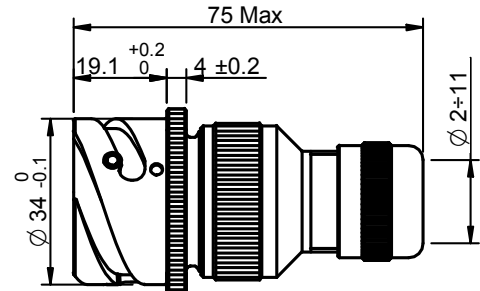
FRITS0020-RJ45-1N1F6

CONFIGURATIONS AVAILABLE : ITS 01

Front View



FRITS0120-RJ45-1PGF6



FRITS0120-RJ45-1PHMF6

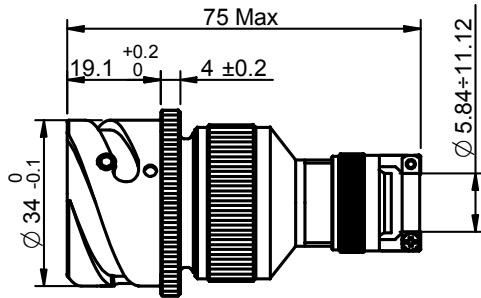
# MIL-DTL-5015 Type Reverse Bayonet Coupling (Series ITS) with Single RJ45 Connector



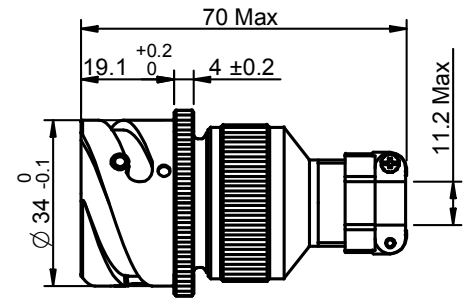
High-Speed  
Connectors

CONFIGURATIONS AVAILABLE : ITS 01

Front View



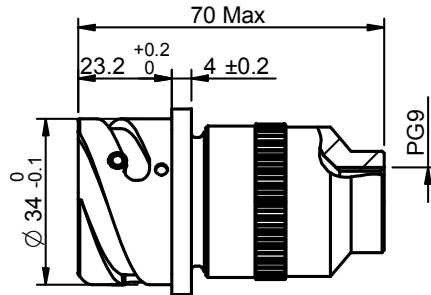
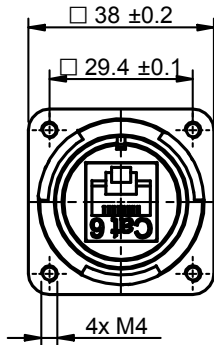
FRITS0120-RJ45-1N5F6



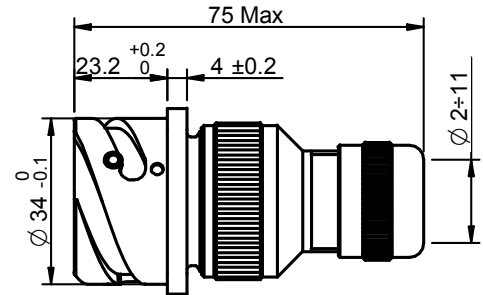
FRITS0120-RJ45-1N1F6

CONFIGURATIONS AVAILABLE : ITS 030

Front View

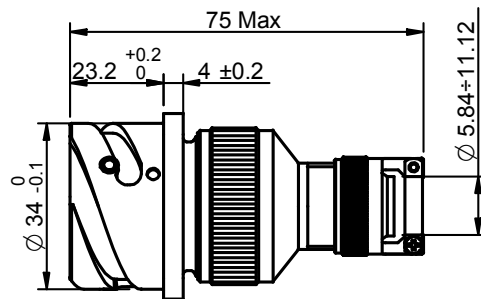
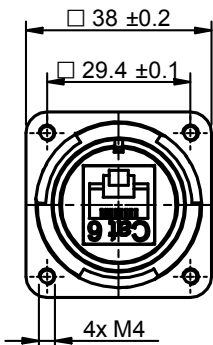


FRITS03020-RJ45-1PGF6

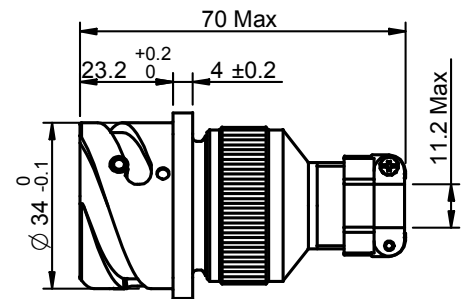


FRITS03020-RJ45-1PHMF6

Front View



FRITS03020-RJ45-1N5F6



FRITS03020-RJ45-1N1F6

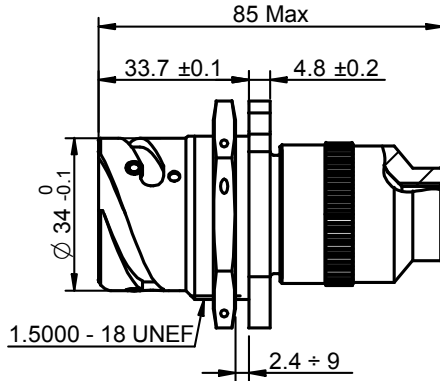
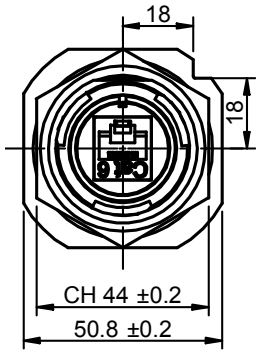
Connectors



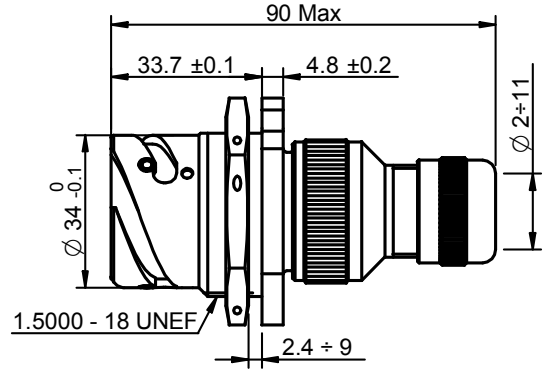
# MIL-DTL-5015 Type Reverse Bayonet Coupling (Series ITS) with Single RJ45 Connector

CONFIGURATIONS AVAILABLE : ITS 070

Front View

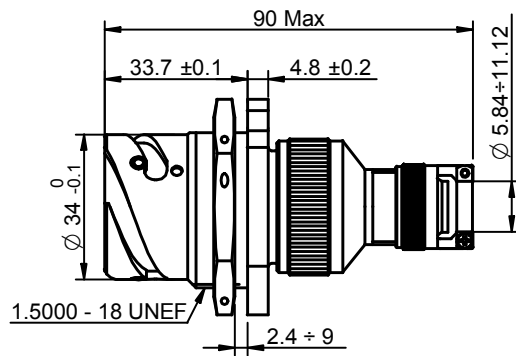
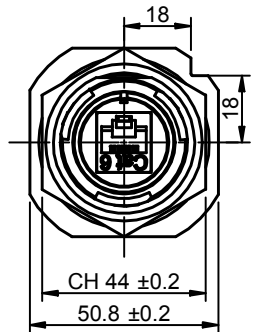


FRITS07020-RJ45-1PGF6

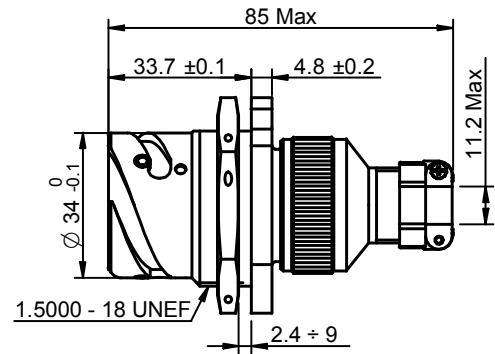


FRITS07020-RJ45-1PHMF6

Front View



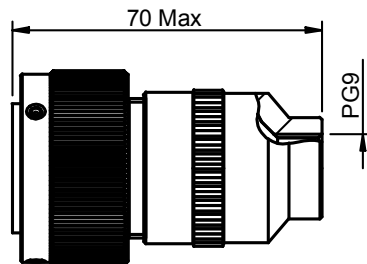
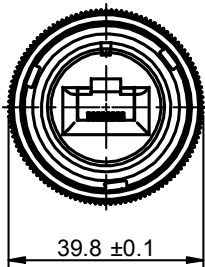
FRITS07020-RJ45-1N5F6



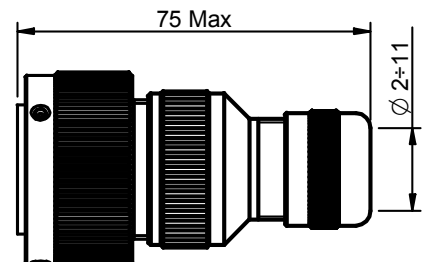
FRITS07020-RJ45-1N1F6

CONFIGURATIONS AVAILABLE : ITS 06

Front View



FRITS0620-RJ45-3PGF6



FRITS0620-RJ45-3PHMF6

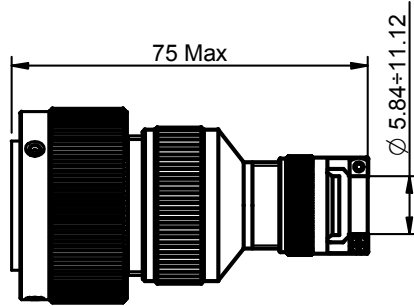
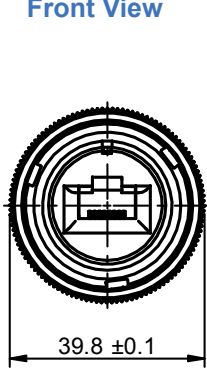
MIL-DTL-5015 Type Reverse Bayonet Coupling  
(Series ITS)  
with Single RJ45 Connector



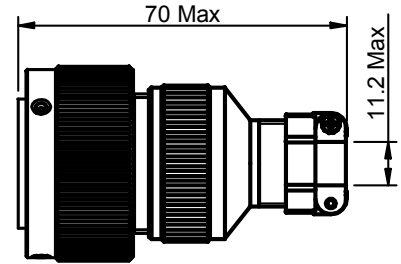
High-Speed  
Connectors

CONFIGURATIONS AVAILABLE : ITS 06

Front View



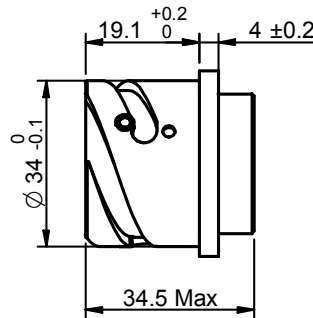
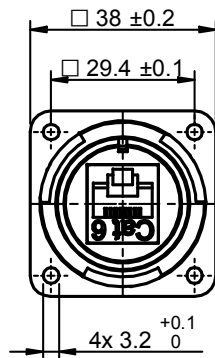
FRITS0620-RJ45-3N5F6



FRITS0620-RJ45-3N1F6

CONFIGURATIONS AVAILABLE : ITS 02

Front View



FRITS0220-RJ45-1F6

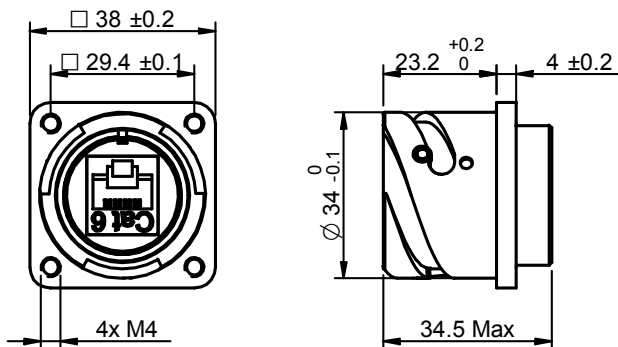
Connectors



MIL-DTL-5015 Type Reverse Bayonet Coupling  
(Series ITS)  
with Single RJ45 Connector

CONFIGURATIONS AVAILABLE : ITS 03

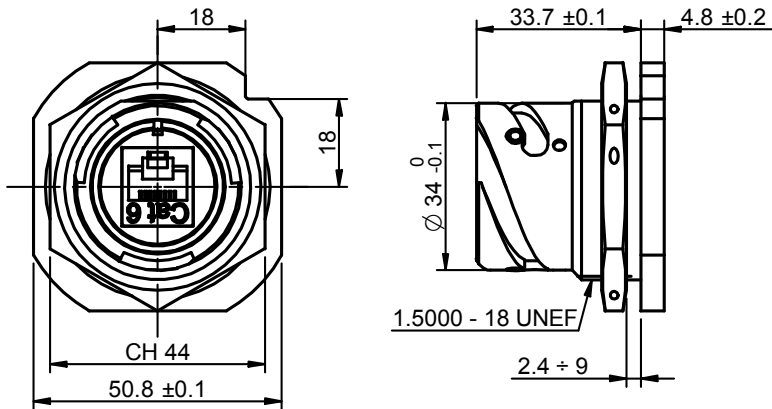
Front View



FRITS0320-RJ45-1F6

CONFIGURATIONS AVAILABLE : ITS 07

Front View



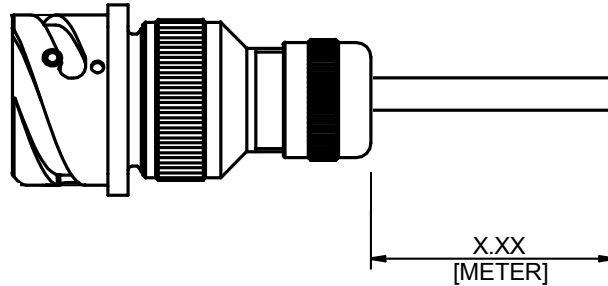
FRITS0720-RJ45-1F6

# MIL-DTL-5015 Type Reverse Bayonet Coupling (Series ITS) with Single RJ45 Connector



PIGTAIL GENERAL SKETCHES AND CONFIGURATIONS AVAILABLE

## Female with Pigtail for Configuration : 00 - 01 - 030 - 070



EXAMPLE : FRITS0020-RJ45-21.5PHMF6 → 1.5 mt Pigtail

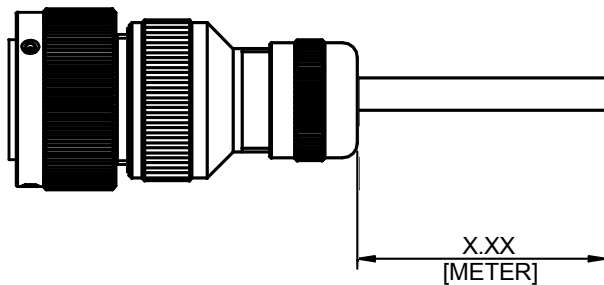
Female with Pigtail for Configuration : 00
FRITS0020-RJ45-2X.xxN1F6
FRITS0020-RJ45-2X.xxN5F6
FRITS0020-RJ45-2X.xxPHMF6
FRITS0020-RJ45-2X.xxPGF6

Female with Pigtail for Configuration : 030
FRITS03020-RJ45-2X.xxN1F6
FRITS03020-RJ45-2-X.xxN5F6
FRITS03020-RJ45-2X.xxPHMF6
FRITS03020-RJ45-2X.xxPGF6

Female with Pigtail for Configuration : 01
FRITS0120-RJ45-2X.xxN1F6
FRITS0120-RJ45-2X.xxN5F6
FRITS0120-RJ45-2X.xxPHMF6
FRITS0120-RJ45-2X.xxPGF6

Female with Pigtail for Configuration : 070
FRITS07020-RJ45-2X.xxN1F6
FRITS07020-RJ45-2X.xxN5F6
FRITS07020-RJ45-2X.xxPHMF6
FRITS07020-RJ45-2X.xxPGF6

## Male with Pigtail for Configuration : 06



Female with Pigtail for Configuration : 06
FRITS0620-RJ45-4X.xxN1F6
FRITS0620-RJ45-4X.xxN5F6
FRITS0620-RJ45-4X.xxPHMF6
FRITS0620-RJ45-4X.xxPGF6

EXAMPLE : FRITS0620-RJ45-41.5PHMF6 → 1.5 mt Pigtail



## X-ON Electronics

Largest Supplier of Electrical and Electronic Components

*Click to view similar products for [Glenair](#) manufacturer:*

Other Similar products are found below :

[DC40-10L](#) [MWDM2R-9P-4K5-18H-464A](#) [MWDM2R-25P-6K5-58M-464A](#) [287-141S4H62Z2NA](#) [247-757-3](#) [805-001-16NF11-4SA](#)  
[GMSM2-6SCBRSU1](#) [557-107M3-05CB](#) [370BS002B1608D6A](#) [450DS001N10-325](#) [MR75909P1BSU](#) [M85049/11-51W](#) [103-026-012](#)  
[MS3181-18CA TOP](#) [891-001-25PS-0A7-18J](#) [5M2920-3CW](#) [6000-063-0022](#) [M28840/17AC1G3](#) [M28840/29CB1DAP1](#) [M32139/03-B06ST](#)  
[M39029/88-488](#) [M83513/03-C16N](#) [M83513/04-E03N](#) [M85049130-07M](#) [M85049/1911N02](#) [M85049/39-17W](#) [M8504956-24N](#) [M85049/74-](#)  
[10-1](#) [M8504988-17P03](#) [M8504988-21N03](#) [M8504992-11M](#) [D38999/23YE26SN](#) [759EA458NF32Z1732-40-102.9](#) [770-006S302](#) [801-025-](#)  
[ARB2M6-4NA-12](#) [805-002-16M12-5SA](#) [809A060-5](#) [858-003-01F](#) [G8377-21B](#) [G8801-09N](#) [G8801-15N](#) [G8801-25N](#) [947-432ME21-11SN](#)  
[947-432ME21-35PN](#) [GMR7580-51P3BPN-474A](#) [GMR7580-51P3BPN-474C](#) [GMR7580-51P3BPN-474D](#) [GMR7580-9P3BPN-474B](#)  
[D38999/33W11N](#) [MWDL-37SCBRPT-.250](#)