

Sounders and Buzzers

Siren - 102dB at 12V DC

pro-SIGNAL

RoHS
Compliant



Features

- Black in colour
- With internal drive circuit
- Has screw holes for mounting
- Housing material: ABS
- Lead wire: UL1007 AWG26

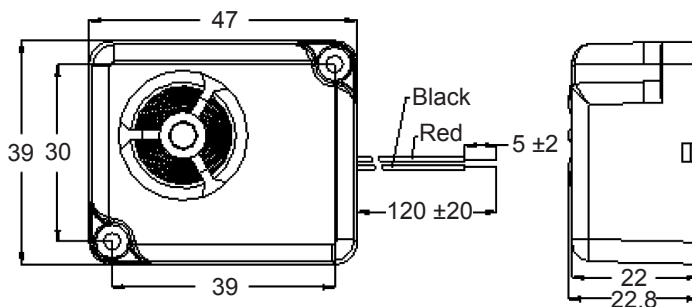
Specifications

Rated Voltage	: 12V DC
Operating Voltage	: 6 ~ 14V DC
Rated current*	: ≤70mA (typical 50mA)
Sound Output at 30cm*	: ≥102dB
Resonant Frequency	: 2,000Hz - 3,500Hz
Tone	: Siren - dual tone
Operating Temperature	: -10°C to +60°C
Storage Temperature	: -40°C to +85°C
Weight	: 27g

*Value applying at rated voltage (DC)

All data at 25°C unless otherwise specified

Diagram



Dimensions : Millimetres

Tolerance: ±0.5mm

Part Number Table

Description	Part Number
Electro Mechanical Buzzer, 5 - 18V DC, 100dB	ABI-053-RC

Important Notice : This data sheet and its contents (the "Information") belong to the members of the Premier Farnell group of companies (the "Group") or are licensed to it. No licence is granted for the use of it other than for information purposes in connection with the products to which it relates. No licence of any intellectual property rights is granted. The Information is subject to change without notice and replaces all data sheets previously supplied. The Information supplied is believed to be accurate but the Group assumes no responsibility for its accuracy or completeness, any error in or omission from it or for any use made of it. Users of this data sheet should check for themselves the Information and the suitability of the products for their purpose and not make any assumptions based on information included or omitted. Liability for loss or damage resulting from any reliance on the Information or use of it (including liability resulting from negligence or where the Group was aware of the possibility of such loss or damage arising) is excluded. This will not operate to limit or restrict the Group's liability for death or personal injury resulting from its negligence. pro-SIGNAL is the registered trademark of the Group. © Premier Farnell Limited 2016.

www.element14.com
www.farnell.com
www.newark.com
www.cpc.co.uk

pro-SIGNAL

X-ON Electronics

Authorized Distributor

Click to view similar products for [Pro Signal](#) manufacturer.

Other Similar products are found below :

[11998795](#) [11998870](#) [11998871](#) [11W3S61106IN](#) [1260B](#) [2413485](#) [2413486](#) [2415620](#)
[2415621](#) [2415622](#) [2415623](#) [2415624](#) [2415625](#) [2415626](#) [2415627](#) [2415628](#) [271450](#)
[275915](#) [277942](#) [278076](#) [278155](#) [278159](#) [278160](#) [278162](#) [278174](#)