

## SMALL-VOLUME TYPE Y AND Z PURGING/PRESSURIZATION SYSTEM



### INDUSTRY STANDARDS

#### For A1001YZUMC1 (Volume up to 2 cubic feet)

NEC **Type Y** Class I, Division 1, Groups A, B, C and D to Division 2  
 NEC **Type Z** Class I, Division 2, Groups A, B, C and D to Unclassified

Classified by Underwriters Laboratories, cUL and Factory Mutual

#### For A1001YZUMC2 (Volume up to 10 cubic feet)

NEC **Type Y** Class II, Division 1, Groups F and G to Division 2  
 NEC **Type Z** Class II, Division 2, Groups F and G to Unclassified

Classified by Underwriters Laboratories, cUL and Factory Mutual

### APPLICATION

Small-Volume Purging/Pressurization Systems are an alternative to NEMA Type 7 or 9 enclosures. The C1 model allows general-purpose enclosures, up to two cubic feet, to be used in certain Class 1 hazardous locations. The C2 model allows general purpose enclosures, up to 10 cubic feet, to be used in certain Class 2 hazardous locations.

### SPECIFICATIONS

- Universal mount
- Available in two models for enclosures with a maximum enclosure volume of up to 2 or 10 cubic feet
- Mounting plate: Type 316 brushed stainless steel
- Regulator body: zinc with enamel finish
- Enclosure pressure gauge: aluminum with enamel finish
- Polycarbonate regulator handle
- Fastener hardware available in aluminum and stainless steel
- Includes tamper-proof regulator with gauge (TR-10G) to comply with NFPA standard requiring protection against overpressurization

**Note: Pressure Vent not required when inlet pressure limited to 5PSI using standard TR-10G. For inlet pressure over 5PSI order EPV-1-SA-00 or EPV-1-SA-90 separately. Contact Hoffman for pricing.**

### PROTECTED ENCLOSURES

Enclosures should be constructed from materials such as metal, fiberglass or polycarbonate material to meet or exceed NEMA Type 4, Type 4X or Type 12 performance requirements.

### CLASS RATINGS

Classes define the explosive or ignitable substances that are present in the atmosphere.

- Class I Flammable gases or liquid vapors
- Class II Ignitable metal, carbon or organic dusts
- Class III Ignitable fibrous materials

### GROUP RATINGS

Groups define substances by rating their explosive or ignitable nature in relation to other known substances.

### DIVISION RATINGS

Divisions define the degree of hazard by determining an explosive or ignitable substance's expected concentration in the atmosphere.

- Division 1 Contains substances under normal conditions
- Division 2 Contains substances under abnormal conditions

### TYPICAL CLASS I SUBSTANCES

- Group A Acetylene
- Group B Hydrogen or >30% hydrogen by volume
- Group C Ethyl, ether and ethylene
- Group D Propane

### TYPICAL CLASS II SUBSTANCES

- Group E Aluminum, magnesium and alloys
- Group F Carbon, coke and coal
- Group G Flour, grain, wood, plastic and chemicals

### NOTES

Division 1 areas must be surrounded by Division 2 areas.  
 Class II, Group E areas must be rated as Division 1 areas.

### MODIFICATION AND CUSTOMIZATION

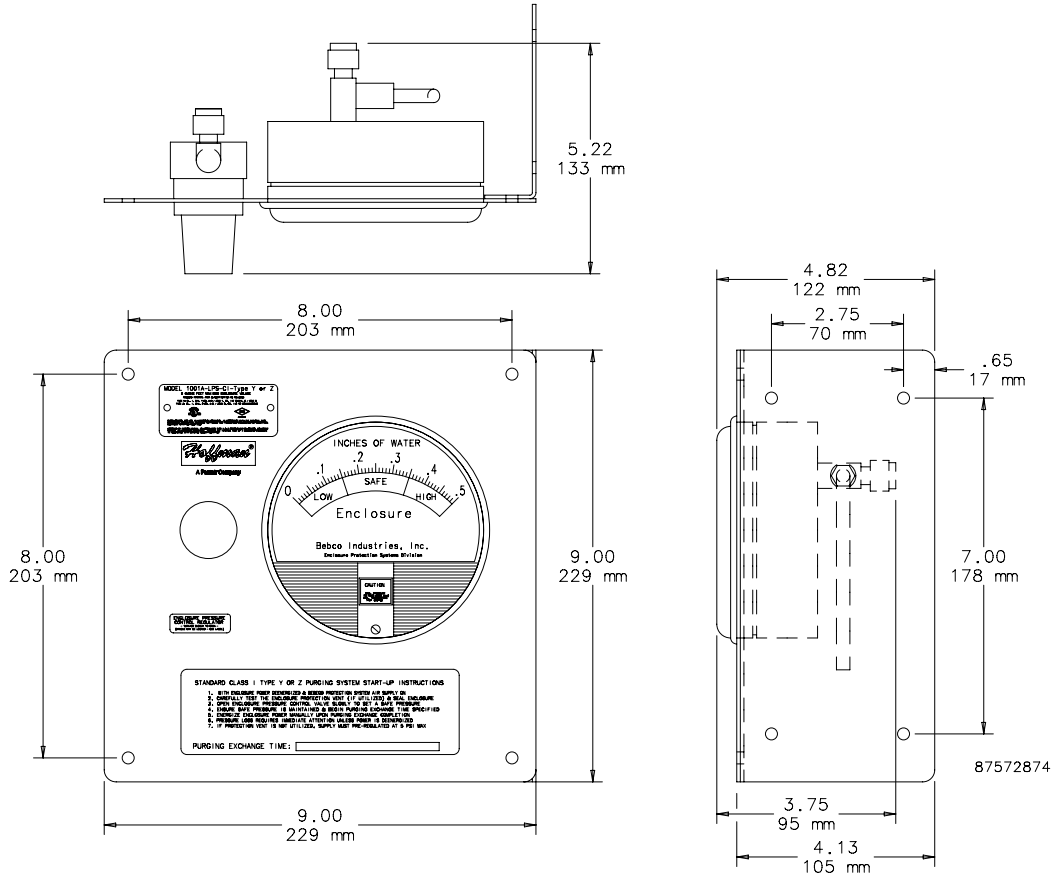
Hoffman excels at modifying and customizing products to your specifications. Contact your local Hoffman sales office or distributor for complete information.

### BULLETIN: HL

Standard Product

Catalog Number	Model	Height in./mm	Width in./mm	Depth in./mm	Volume (ft. <sup>3</sup> )	Volume (m <sup>3</sup> )	Weight (lb.)	Weight (kg)
A1001YZUMC1	1001, Class 1	9.00 229	9.00 229	5.00 127	2	.06	8.25	3.74
A1001YZUMC2	1001, Class 2	9.00 229	9.00 229	5.00 127	10	.28	8.50	3.86

Model 1001 Configuration System and Flange Dimensions



## **X-ON Electronics**

Largest Supplier of Electrical and Electronic Components

*Click to view similar products for [Hoffman](#) manufacturer:*

Other Similar products are found below :

[A-1412CHQR](#) [A-6P4G](#) [A-202408LP](#) [CSD20168SS](#) [CSD20206](#) [CSD20208SS](#) [CSD24168](#) [CSD36248](#) [CSD36308](#) [PCU7](#) [PDS76R](#)  
[PRA197TP](#) [PT126](#) [A10086CH](#) [A1008CHNFSS](#) [A10106CH](#) [A10106CHFL](#) [A10106PHCW](#) [A1043DSC](#) [A1066JFGQRR](#) [A12106CHQRFG](#)  
[A1212SC](#) [A1412CHNFSS](#) [A161208LP](#) [A161410CH](#) [A16148CHQRFG](#) [A16H12ALP](#) [A18P16AL](#) [A24H2408SSLP](#) [A24H24BLP](#)  
[Q13138PCE](#) [A36P24](#) [Q3PBPCDM](#) [A404CH](#) [A606CHNF](#) [A606NF](#) [A806SC](#) [A845JFGR](#) [A864CHQRFGW](#) [A90P36F1](#) [HJ1412HWPL2LG](#)  
[HJ1816HWPL2LG](#) [RHJ1210HWPL2LG](#) [AS125SS](#) [ASE10X10X4](#) [ASE12X12X4](#) [E1PBG](#) [E2PBG](#) [E3PB](#) [LED24V15](#)