

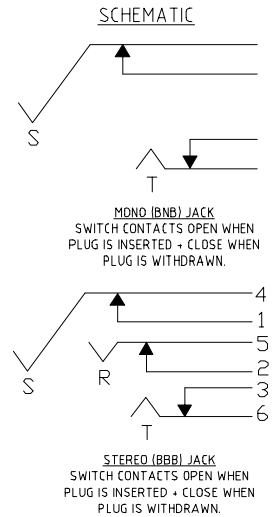
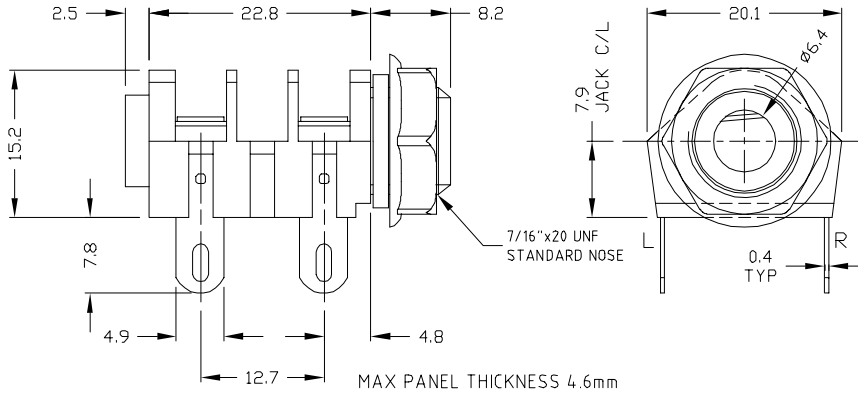
CLIFF

GOLD JACK SOCKETS

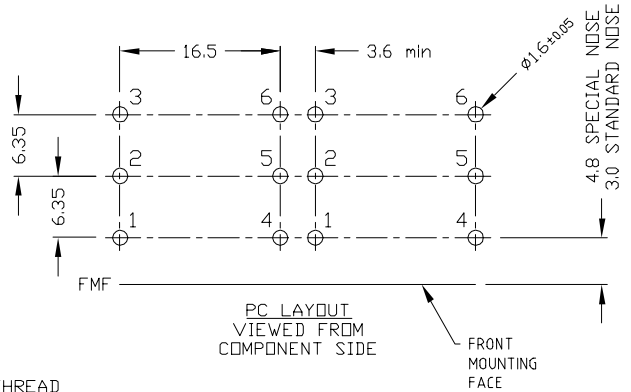
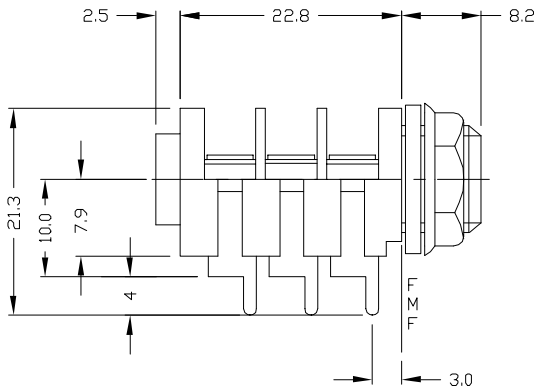
6.35mm JACK SOCKET



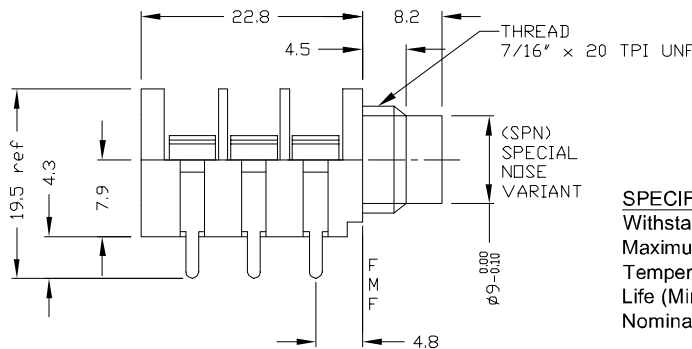
CL11607



CL12327



CL12345



SPECIFICATION

Withstand voltage: 2000V DC Min.
 Maximum Current: 5A
 Temperature Rating: -10° C to +70° C
 Life (Minimum): 10,000+ Operations
 Nominal Contact Resistance: <50mΩ

DESCRIPTION

- CL11607** - Jack Socket Mono S2/BNB Solder Tag
- CL12327** - Jack Socket Stereo S2/BBB PC Tag Type A.
- CL12345** - Jack Socket Stereo S2/BBB Special Nose PC Tag Type C. No nut or washers.

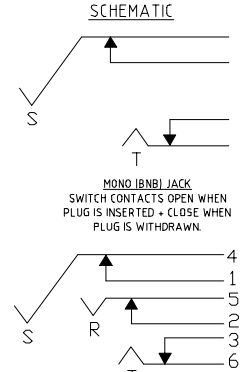
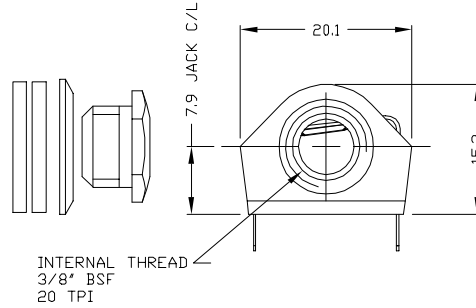
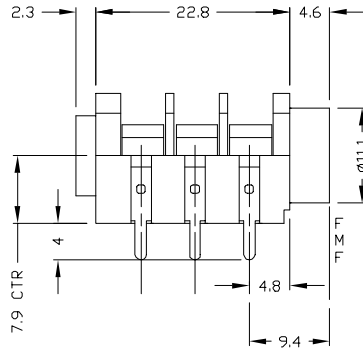
CLIFF

GOLD JACK SOCKETS

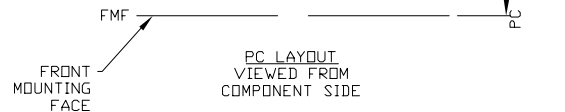
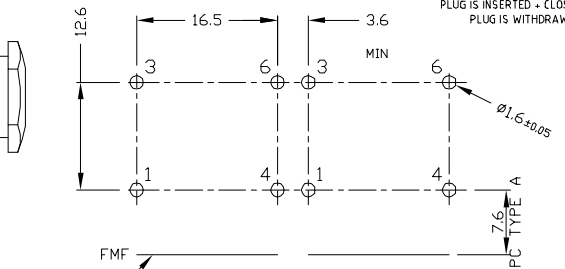
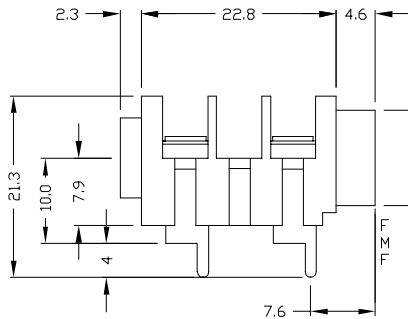
6.35mm JACK SOCKET



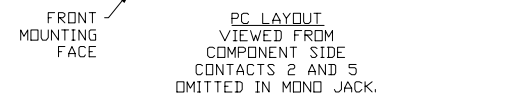
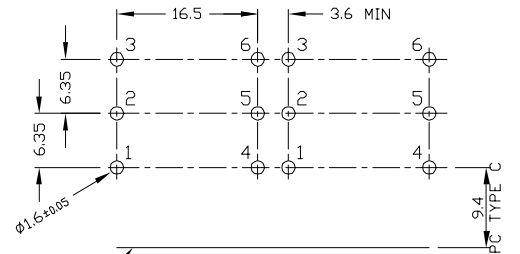
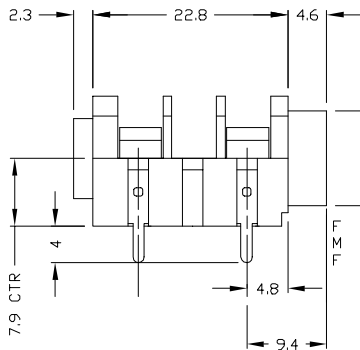
CL13345



CL1308G



CL13106G



DESCRIPTION

- CL13345** - Jack Socket Stereo S4/BBB PC tag type C
- CL1308G** - Jack Socket Mono S4/BNB PC tag type A
- CL13106G** - Jack Socket Mono S4/BNB PC tag type C

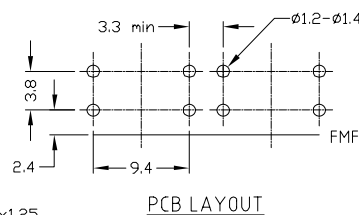
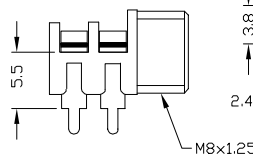
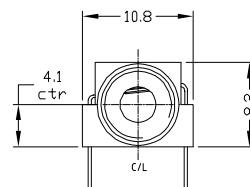
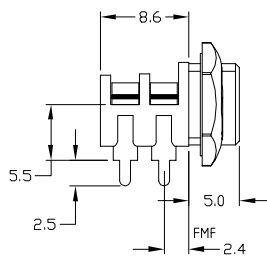
3.5mm JACK SOCKET



CL13845G



CL13843G



DESCRIPTION

- CL13845G** - 3.5mm Jack Socket S6G/BB with nut
- CL13843G** - 3.5mm Jack Socket S6G/BB without nut

CLIFF

GOLD JACK SOCKETS

JACK SOCKET ACCESSORIES



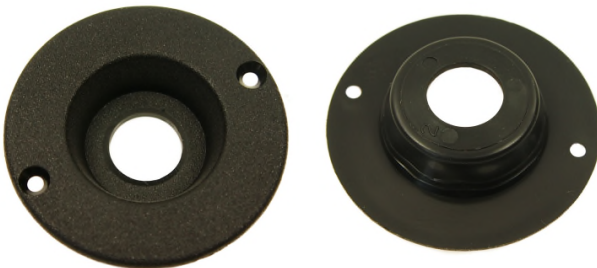
FCR14422 - EMI / RFI SCREEN FOR 6.35mm JACK SOCKETS



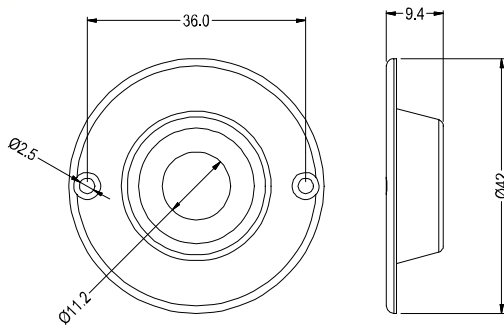
CL14218 - BLACK COMBINED NUT/BEZEL FOR S4 TYPE JACK SOCKET



CL14218GY - GREY COMBINED NUT/BEZEL FOR S4 TYPE JACK SOCKET



CL1396 - RECESS PLATE TO ALLOW FLUSH MOUNTING OF 6.35mm JACK SOCKETS



X-ON Electronics

Largest Supplier of Electrical and Electronic Components

Click to view similar products for [Cliff manufacturer](#):

Other Similar products are found below :

[FC7105](#) [CIH206011](#) [CIH22105](#) [FCR7360L](#) [FM686813](#) [CP30152](#) [CP30173](#) [CP30176](#) [CP30178](#) [CP30179](#) [CP30180](#) [CP30186](#) [FCR7942](#)
[CL-SFE/1 FILTERS](#) [CP30220X](#) [FCR7360B](#) [FM686816](#) [CIH29917](#) [CP30170](#) [CP30174](#) [CIH684216](#) [FD72082](#) [FCR2062](#) [CP30171](#) [CP30182](#)
[CP30184](#) [CIH3021](#) [FM686806](#) [CIH29950](#) [CIH29916](#) [CP30150](#) [CP30500C](#) [FCR1121](#) [CL1115](#) [CP30181](#) [CP30202M](#) [CP30202M3B](#) [K85](#)
[CAPS BLUE PLAIN](#) [CIH299450](#) [CL2075S](#) [FM65015](#) [CL2076S](#) [CL1734](#) [300PN](#) [DCPP3](#) [FC7106](#) [FCR7960RB](#) [FM686842](#) [CP30202M3](#)
[CIH3006](#)